

OWNER MANUAL

TTL6-A

ACTIVE THREE-WAY
LINE ARRAY MODULE

TTL6-AS

ACTIVE LINE ARRAY
BASS MODULE





ENGLISH
ITALIANO

4
14



1. All the precautions, in particular the safety ones, must be read with special attention, as they provide important information.

2. Power supply from mains

- a. The mains voltage is sufficiently high to involve a risk of electrocution; install and connect this product before plugging it in.
- b. Before powering up, make sure that all the connections have been made correctly and the voltage of your mains corresponds to the voltage shown on the rating plate on the unit, if not, please contact your RCF dealer.
- c. The metallic parts of the unit are earthed through the power cable. An apparatus with CLASS I construction shall be connected to a mains socket outlet with a protective earthing connection.
- d. Protect the power cable from damage; make sure it is positioned in a way that it cannot be stepped on or crushed by objects.
- e. To prevent the risk of electric shock, never open this product: there are no parts inside that the user needs to access.

3. Make sure that no objects or liquids can get into this product, as this may cause a short circuit.

This apparatus shall not be exposed to dripping or splashing. No objects filled with liquid, such as vases, shall be placed on this apparatus. No naked sources (such as lighted candles) should be placed on this apparatus.

4. Never attempt to carry out any operations, modifications or repairs that are not expressly described in this manual.

Contact your authorized service centre or qualified personnel should any of the following occur:

- **The product does not function (or functions in an anomalous way).**
- **The power cable has been damaged.**
- **Objects or liquids have got in the unit.**
- **The product has been subject to a heavy impact.**

5. If this product is not used for a long period, disconnect the power cable.

6. If this product begins emitting any strange odours or smoke, switch it off immediately and disconnect the power cable.

7. Do not connect this product to any equipment or accessories not foreseen.

For suspended installation, only use the dedicated anchoring points and do not try to hang this product by using elements that are unsuitable or not specific for this purpose. Also check the suitability of the support surface to which the product is anchored (wall, ceiling, structure, etc.), and the components used for attachment (screw anchors, screws, brackets not supplied by RCF etc.), which must guarantee the security of the system / installation over time, also considering, for example, the mechanical vibrations normally generated by transducers.

To prevent the risk of falling equipment, do not stack multiple units of this product unless this possibility is specified in the user manual.

8. RCF S.p.A. strongly recommends this product is only installed by professional qualified installers (or specialised firms) who can ensure correct installation and certify it according to the regulations in force.

The entire audio system must comply with the current standards and regulations regarding electrical systems.

9. Supports and trolleys.

The equipment should be only used on trolleys or supports, where necessary, that are recommended by the manufacturer. The equipment / support / trolley assembly must be

IMPORTANT



moved with extreme caution. Sudden stops, excessive pushing force and uneven floors may cause the assembly to overturn.

10. There are numerous mechanical and electrical factors to be considered when installing a professional audio system (in addition to those which are strictly acoustic, such as sound pressure, angles of coverage, frequency response, etc.).

11. Hearing loss.

Exposure to high sound levels can cause permanent hearing loss. The acoustic pressure level that leads to hearing loss is different from person to person and depends on the duration of exposure. To prevent potentially dangerous exposure to high levels of acoustic pressure, anyone who is exposed to these levels should use adequate protection devices. When a transducer capable of producing high sound levels is being used, it is therefore necessary to wear ear plugs or protective earphones. See the manual technical specifications to know the maximum sound pressure level.

IMPORTANT NOTES

To prevent the occurrence of noise on line signal cables, use screened cables only and avoid putting them close to:

- **Equipment that produces high-intensity electromagnetic fields.**
- **Power cables.**
- **Loudspeaker lines.**

IMPORTANT NOTES



OPERATING PRECAUTIONS



OPERATING PRECAUTIONS

- **Place this product far from any heat sources and always ensure an adequate air circulation around it.**
- **Do not overload this product for a long time.**
- **Never force the control elements (keys, knobs, etc.).**
- **Do not use solvents, alcohol, benzene or other volatile substances for cleaning the external parts of this product.**

IMPORTANT NOTES

Before connecting and using this product, please read this instruction manual carefully and keep it on hand for future reference. The manual is to be considered an integral part of this product and must accompany it when it changes ownership as a reference for correct installation and use as well as for the safety precautions. RCF S.p.A. will not assume any responsibility for the incorrect installation and / or use of this product.

WARNING: to prevent the risk of fire or electric shock, never expose this product to rain or humidity.

IMPORTANT NOTES



WARNING





RCF TT+ represents another prominent chapter in the long history of RCF Sound Systems. Whether a speaker system is designed for live sound or large concert situations as well as permanent installed theatre sound applications, the paying customer now expects a level of audio fidelity and intelligibility of such a standard unsurpassed by previous generations.

This requirement has fostered the need for Audio Professionals to be able to offer a range of speaker systems combined with dedicated transducer and crossover technologies that are superior in acoustic performance and control.

RCF TT+ offers ready to use solutions and tools in true high definition speaker systems.

Our research and engineering faculty can today offer innovative projects with finite control of each detail, from the loudspeaker voice coil wire to the highly efficient extended dynamic amplifier topology. There are many different ingredients that go into creating quality products and systems. These include computer aided simulation software to assist the understanding of transducer behaviour and amplifier operation and the relationship of dynamics and transient response.

RCF utilises over thirty state of the art software packages to identify magnetic circuits, voice coil dynamics, suspension linearity, horn dispersion simulation, crossover filters, amplifier thermal behaviour etc.

RCF is one of only a few loudspeaker manufacturers worldwide who have the ability to completely design and manufactures transducers, speaker systems and amplification and control electronics. Our 60 plus years heritage in Audio combined with our state of the art research and development and manufacturing processes allows us to seamlessly integrate all the ingredients to design and build TT+.

The design philosophy for the new TT+ series is based upon offering the sound engineer solutions and tools that are ready to use. Key factors are the ability to sustain very high power with highly efficient sound pressure levels. Intense sound levels are created with extremely high definition and extended dynamic range. Modern construction materials result in mechanical weight ratios that are light for practical flying and portability.

The TTL6-A is a high power, three way, active line source engineered to deliver high fidelity output for use indoors and outdoors, for medium to large spaces.

TTL 6-A provides all the advantages of line array technology, such as high direct sound, increased range and a uniform level distribution, with additional ease of use. It is the preferred sound set-up for stacked systems and when a wider dispersion is required.

The 3-way TTL6-A line source is equipped with 2 x 12" low frequencies woofers, 4 x 6.5" midranges and a 3.0" voice coil compression driver with wave-guide for distinctive homogenous directivity.

The integration of four channels of digital amplification and the advanced digital processing set a new standard for distortion, noise and thermal efficiency.

TT+ HIGH DEFINITION TOURING AND THEATRE

INNOVATION

INTEGRATION

INTENSITY

TTL6-A, ACTIVE THREE-WAY LINE ARRAY MODULE



- 1 FEMALE XLR INPUTS (BAL/UNBAL). The system accept XLR input connectors.
- 2 MALE XLR SIGNAL OUTPUT. The output XLR connector provides a loop through for speakers daisy chaining. The balanced connector is connected in parallel and can be used to send the audio signal to other amplified speakers, recorders or supplementary amplifiers.
- 3 SYSTEM SET UP ENCODER. Push the encoder to select a function (gain reduction, delay, preset). Rotate the encoder to select a value or a preset.
- 4 GAIN REDUCTION LED. Pushing the encoder once the gain reduction indicator lights green. Then rotate the encoder to reduce the gain to the right level.
POWER LED. This green led is ON when the speaker is connected to the main power supply.
- 5 DELAY LED. Pushing the encoder twice the delay indicator lights green. Then rotate the encoder to delay the speaker. The delay is expressed in meters.
SIGNAL LED. The signal indicator lights green if there is audio signal present on the main
- 6 PRESET LED. Pushing the encoder three times the preset indicator lights green. Then rotate the encoder to load the right preset to the speaker.
LIMITER LED. The amplifier has a built in limiter circuit to prevent clipping of the amplifiers or overdriving the transducers. When the soft clipping circuit is active the LED blinks RED. It is okay if the limit LED blinks occasionally. If the LED lights continuously, turn down the signal level.
- 7 SYSTEM SET UP DISPLAY. Display the system setting values. In case of RDNet active connection a rotating segment will light up.
- 8 RDNET LOCAL SETUP/BYPASS. When released the local setup is loaded and RDNet can only monitor the speaker. When switched the RDNet setup is loaded and bypass any speaker local preset.
- 9 RDNET IN/OUT PLUG SECTION. The RDNET IN/OUT PLUG SECTION features etherCON connectors for the RCF RDNet protocol. This allows the user to completely control the speaker using the RDNet software.



- 10 AC INPUT.
Powercon locking 3-pole AC mains.
- 11 AC OUTPUT.
Powercon locking 3-pole AC mains output.

WARNING: the Powercon connector is used to disconnect the system from the power supply network. It shall be easily accessible after the instillation and during the use of the system.

WARNING



THE REAR ENCODER CONTROL AND SPEAKER SETTING

Pushing the rear encoder it is possible to select the following three functions:

- input gain reduction
- speaker delay setting
- selection of a speaker preset

Pushing once the rear encoder the gain reduction LED will light up. Now rotating the encoder counter clockwise it will be possible to reduce the input gain. The gain reduction will be in steps of 0,1 dB for the first 10 dB and then in 1 dB steps. The maximum reduction is 99 dB.

Pushing a second time the rear encoder the delay LED will light up. Now rotating the encoder clockwise it will be possible to delay the signal output of the speaker. The delay is expressed in meter. The delay will be in steps of 0,1 m for the first 10 m and then in 1 m steps. The maximum delay will be 20 meter.

Pushing a third time the rear encoder the preset LED will light up. Now rotating the encoder clockwise it will be possible to select a preset.

There are eight presets in three groups:

- CLOSE (C). When the listening distance is less than 4 meter
- LINEAR (L). When the listening distance is from 4 to 11 meter
- FAR (F). When the listening distance is more than 11 meter.

INPUT GAIN REDUCTION

SPEAKER DELAY SETTING

SELECTION OF A SPEAKER PRESET

PRESET		LOW FREQ.	HIGH FREQ.
L 1	LINEAR	Linear	Linear
L 2	LINEAR	High pass	Linear
L 3	LINEAR	3 dB Boost	Linear
L 4	LINEAR	-3 dB Shelf	Linear
C 1	CLOSE LISTENING	Linear	-3 dB Shelf
C 2	CLOSE LISTENING	High pass	-3 dB Shelf
F 1	FAR LISTENING	Linear	3 dB Shelf
F 2	FAR LISTENING	High pass	3 dB Shelf
S 1	SIDE POSITIONING	S1: Linear	S2: High pass
U 1	VERTICAL ARRAY	U1: Linear	U2: High pass

SERIAL NUMBER

RCF S.p.A. Via Raffaello Sanzio, 13
 47124 Reggio Emilia - Italy

TTL6-A PRESETS

PRESET		HIGH PASS	LOW PASS
L 1	EXTENDED LOW	35 Hz	60 Hz
L 2	EXTENDED LOW	35 Hz	70 Hz
L 3	EXTENDED LOW	35 Hz	80 Hz
L 4	EXTENDED LOW	35 Hz	90 Hz
S 1	SIDE POSITIONING	35 Hz	50 Hz
S 2	SIDE POSITIONING	35 Hz	65 Hz
U 1	VERTICAL POSITIONING	35 Hz	50 Hz
U 2	VERTICAL POSITIONING	35 Hz	65 Hz
S E	LOW PASS EXCLUDED	35 Hz	400 Hz
U E	LOW PASS EXCLUDED	45 Hz	400 Hz

SERIAL NUMBER

RCF S.p.A. Via Raffaello Sanzio, 13
 47124 Reggio Emilia - Italy

TTL6-AS PRESETS

TTL6-A PRESETS

L1. LINEAR. Is the totally linear preset. The speaker curve response is perfectly linear. It is ideal when listening outdoor or in low reverberation rooms, at medium distance and at a medium or high sound pressure level.

L2. LINEAR HIGH PASS. This preset is the same as L1 with a 24 dB/oct. high pass filter at 100 Hz. To be used when the speaker is a part of a bigger system, when is a satellite of a subwoofer system or when the application is speech reproduction.

L3. LINEAR LOW LEVEL - PLAYBACK. This preset is linear with a gentle +3 dB boost at low frequency. To be used when playing at low level or for playback music.

L4. LINEAR INDOOR. This preset is linear with a gentle -3 dB shelf at low frequency. It is ideal for a better sound balance in reverberant rooms and for indoor speech reproduction.

C1. CLOSE. Close listening preset. To be used when the average listener is closer than 3 meter. The preset shows a gentle -3 dB shelf in high frequencies. The sound balance is natural and never aggressive.

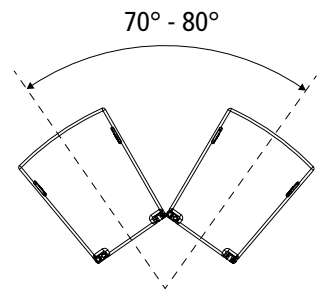
C2. CLOSE HIGH PASS. This preset is the same as C1 with a 24 dB/oct. high pass filter at 100 Hz.

F1. FAR. Far listening preset. To be used when the average listener distance is more than 10 meter. The preset shows a +3 dB shelf in high frequencies to compensate the air absorption. The clarity and intelligibility in distance are improved.

F2. FAR HIGH PASS. This is the same as F1 with a 24 dB/oct. high pass filter at 100 Hz.

S1, S2. SIDE COUPLING PRESETS. These presets are linear when the speaker are coupled side to side. These presets are properly designed for speakers coupled with a horizontal coupling angle from 70° to 80°. The front of the cabinets shall be split and the rear of the cabinets shall be close. The S2 preset features the low frequency high pass filter.

U1, U2. VERTICAL COUPLING PRESETS. These presets are linear when the speaker are coupled vertically. The vertical coupling angle can vary from 0° to 10° in 2° steps. Smaller coupling angles offers a narrower directivity but a better sound projection and far distance definition. The U2 preset features the low frequency high pass filter.



TTL6-AS PRESETS

L1 - L2 - L3 - L4. EXTENDED LOW. These presets apply respectively four frequency cut-offs to use this speaker as subwoofer of other RCF TT+ speakers.

S1 - S2. SIDE POSITIONING. These presets were developed to couple this speaker with TTL6-A when this is configured with presets S1 e S2.

V1 - V2. VERTICAL POSITIONING. These presets were developed to couple this speaker with TTL6-A when this is configured with presets V1 e V2.

SE - LE. LOW PASS EXCLUDED. These presets are "free", full range, developed to freely create cut-offs and cossing as desired.

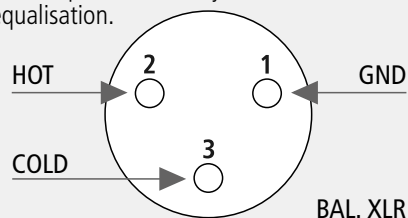
After the parameter settings the 2 digits display will flash one time. This represents saving all the preset values in the speaker memory. Once saved, all the speaker settings are permanent. It is possible to turn off and turn on, the speaker will remember the last settings.

To reset the speaker to the original settings :

- **turn off the speaker**
- **keep the encoder pressed**
- **turn on the speaker**
- **the status yellow led will be blinking slowly, keep the encoder pressed**
- **wait until the 2 digits display will turn to show the completed reset procedure**
- **now release the encoder**
- **the reset procedure is finished**

Using the RDNet IN/OUT connection it is possible to load in the speaker memory a dedicated user equalisation. The speaker reset procedure will cancel even this equalisation.

The XLR connectors use the following AES standard:
 PIN 1 = GROUND (SHIELD)
 PIN 2 = HOT (+)
 PIN 3 = COLD (-)



**SAVING
A SPEAKER PRESET**

SPEAKER RESET

CONNECTIONS

At this point you can connect the power supply cable and the signal cable, but before turning on the speaker make sure that the volume control is at the minimum level (even on the mixer output). It is important that the mixer is already ON before turning on the speaker. This will avoid damage to the speakers and noisy "bumps" due to turning on parts on the audio chain. It is a good practice to always turn on speakers at last and turn them off immediately after the show. Now you can turn ON the speaker and adjust the volume control to a proper level.

BEFORE TURNING ON THE SPEAKER

SERVICE NOTE 

The fuse settings/replacement shall be as follow:

FUSE VALUE T 6.30 A H 250 V

VOLTAGE SETUP

(RESERVED TO THE RCF SERVICE CENTRE)

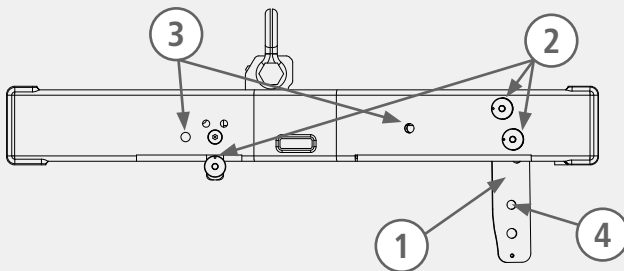
INSTALLATION 

WARNING: daisy chaining speakers always make sure that the maximum current requirement does not exceed the maximum admitted POWERCON current. In case of doubt call the closest RCF SERVICE CENTRE.

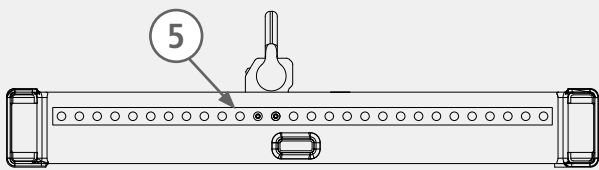
WARNING



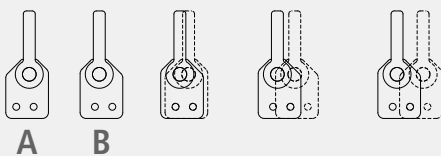
1. FLYBAR INSTALLATION



- 1. Front flying bracket
- 2. Quick lock pin hole (to be used to lock the front bracket before installation)
- 3. Loose pin hole
- 4. Suspension case pin hole

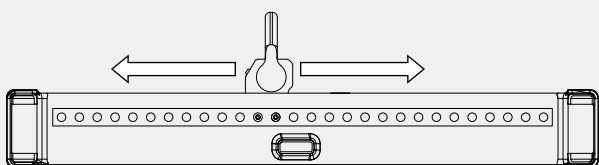


- 5. Pickup fixing holes

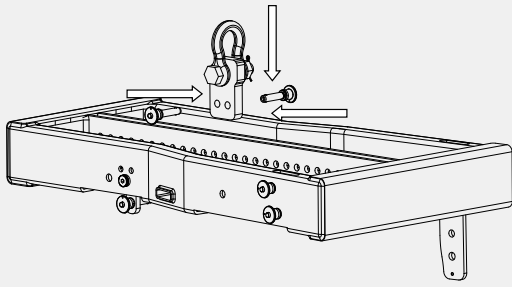


The pickup point is asymmetric and can be fit in two positions (A and B).

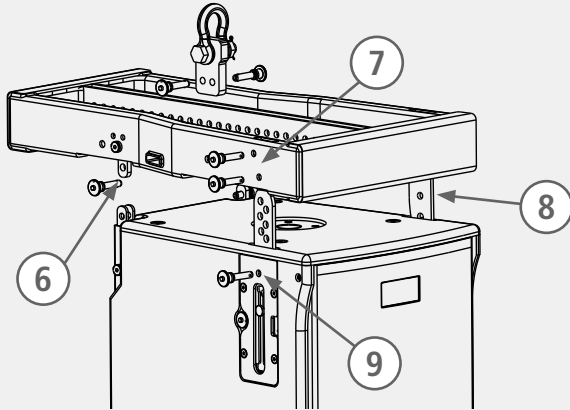
A position brings the shackle to the front.
B position allows an intermediate step using the same fixing holes.



Move the pickup bracket to set system with chosen angle.



Fix the pick-up bracket with the two pins on the holes of flybar brackets and check all pins are secured and locked



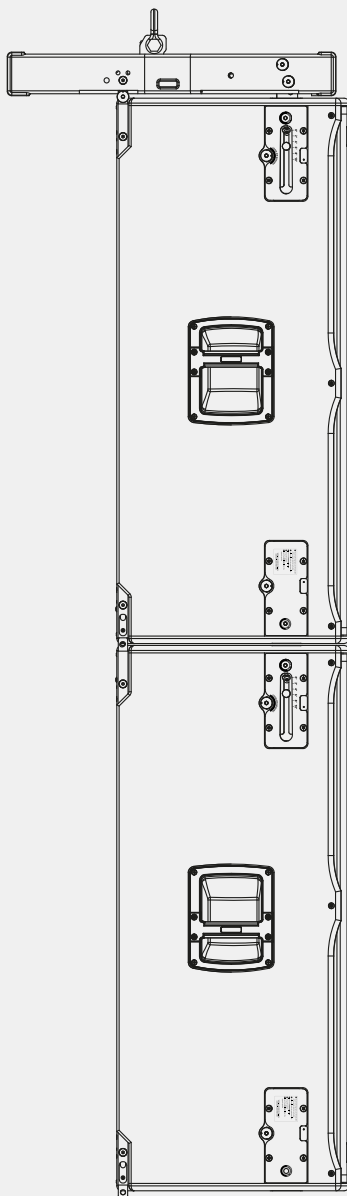
Put the first speaker under flybar.

- 6. Secure both hinge pins on the backside of speaker (one for each side)
- 7. Insert pin on flybar bracket (two for each side)
- 8. Set position of hole pin to lock bracket with speaker
- 9. Insert the Suspension/Locking Pins

Check that the front and the rear pins are secured and locked.

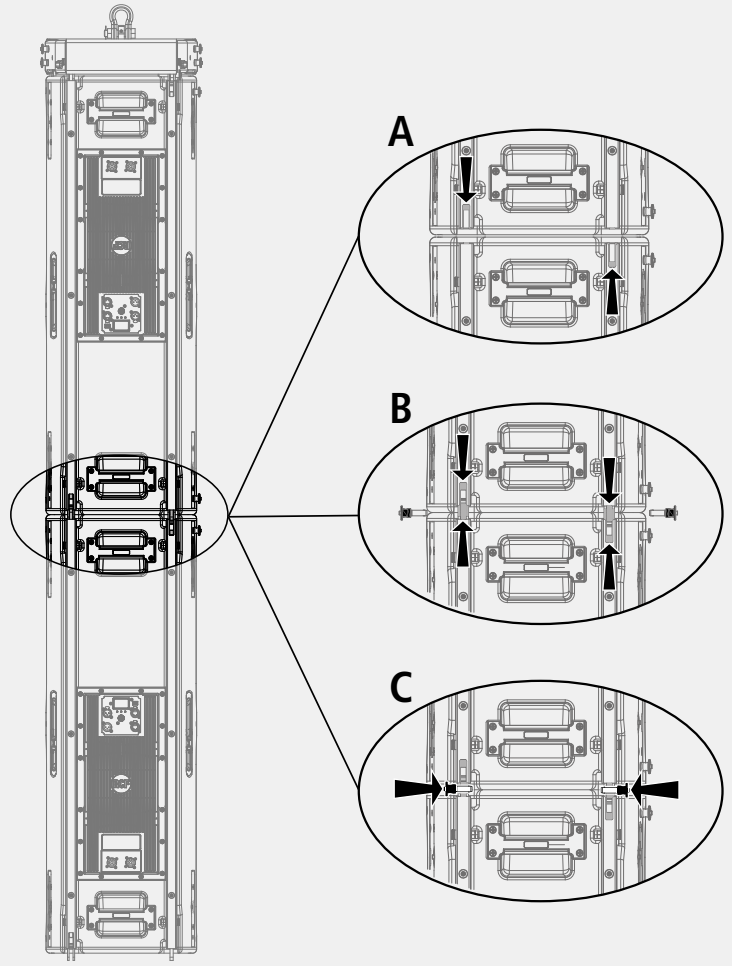
2. SPEAKER POSITIONING

SIDE VIEW



Appoggiare la cassa superiore a quella inferiore

REAR VIEW

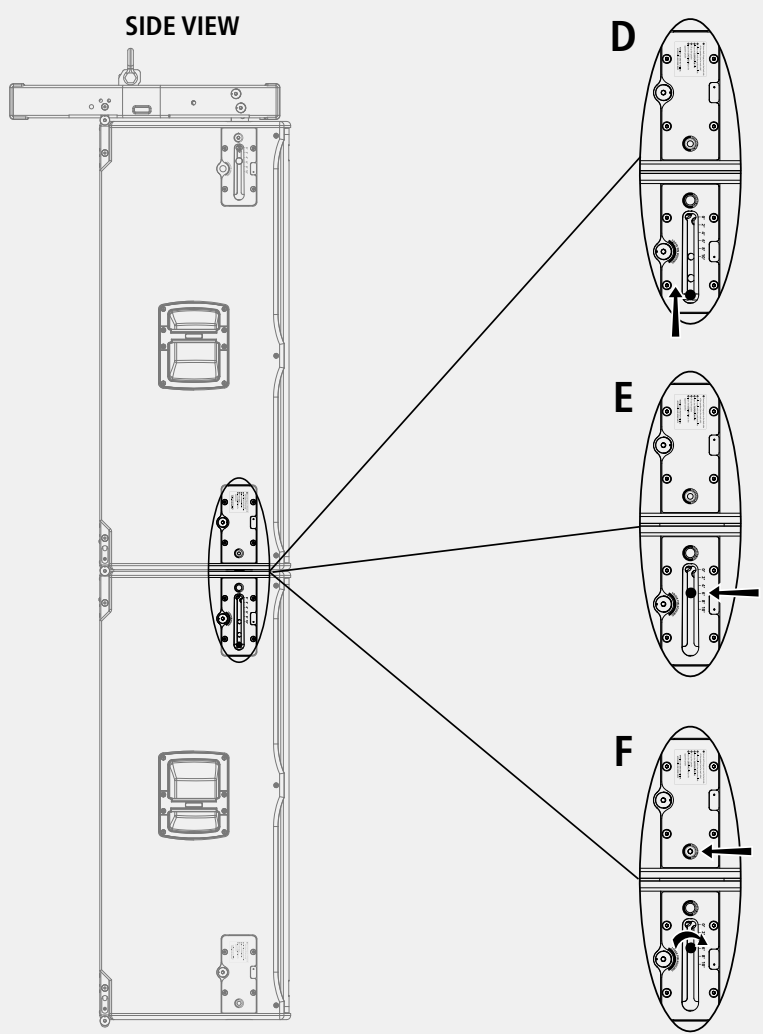


3. REAR PINS LOCKING

Move the brackets from the initial position (figure A) to the locking position (figure B).

Secure the brackets on the locking position with the quick lock pins (figure C).

SIDE VIEW



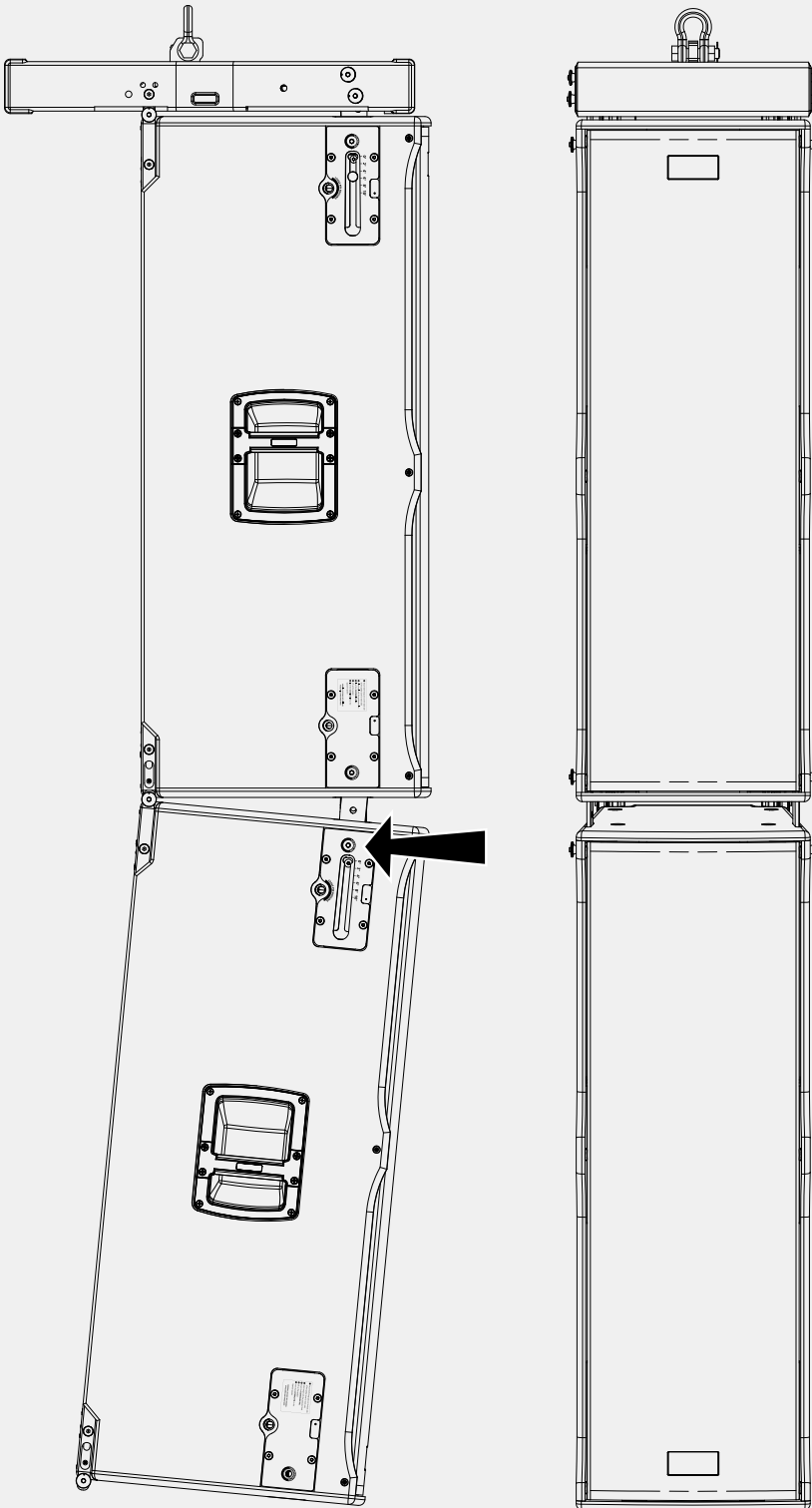
4. CHOOSING THE TILT ANGLE

Move the front bracket inside the opposite speaker using the little knob (figure D).

Choose the tilt angle (figure E).

Insert the quick lock pin into the "Suspension Pin" hole with the help of the little knob (figure F).

5. FRONT PINS LOCKING



Lift the speaker and insert the quick lock pin into the "Locking Pin" hole.



1. Tutte le avvertenze, in particolare quelle relative alla sicurezza, **devono essere lette con particolare attenzione**, in quanto contengono importanti informazioni.

2. Alimentazione diretta da rete

- a. La tensione di alimentazione dell'apparecchio ha un valore sufficientemente alto da costituire un rischio di folgorazione per le persone: non procedere mai all'installazione o connessione dell'apparecchio con l'alimentazione inserita.
- b. Prima di alimentare questo prodotto, assicurarsi che tutte le connessioni siano corrette e che la tensione della vostra rete di alimentazione corrisponda quella di targa dell'apparecchio, in caso contrario rivolgetevi ad un rivenditore RCF.
- c. Le parti metalliche dell'apparecchio sono collegate a terra tramite il cavo di alimentazione. Un apparecchio avente costruzione di CLASSE I deve essere connesso alla presa di rete con un collegamento alla terra di protezione.
- d. Accertarsi che il cavo di alimentazione dell'apparecchio non possa essere calpestato o schiacciato da oggetti, al fine di salvaguardarne la perfetta integrità.
- e. Per evitare il rischio di shock elettrici, non aprire mai l'apparecchio: all'interno non vi sono parti che possono essere utilizzate dall'utente.

3. Impedire che oggetti o liquidi entrino all'interno del prodotto, perché potrebbero causare un corto circuito. L'apparecchio non deve essere esposto a stillicidio o a spruzzi d'acqua; nessun oggetto pieno di liquido, quali vasi, deve essere posto sull'apparecchio. Nessuna sorgente di fiamma nuda (es. candele accese) deve essere posta sull'apparecchio.

4. Non eseguire sul prodotto interventi / modifiche / riparazioni se non quelle espressamente descritte sul manuale istruzioni.

Contattare centri di assistenza autorizzati o personale altamente qualificato quando:

- **l'apparecchio non funziona (o funziona in modo anomalo).**
- **Il cavo di alimentazione è danneggiato.**
- **Oggetti o liquidi sono entrati nell'apparecchio.**
- **L'apparecchio ha subito forti urti.**

5. Qualora questo prodotto non sia utilizzato per lunghi periodi, scollegare il cavo d'alimentazione.

6. Nel caso che dal prodotto provengano odori anomali o fumo, spegnerlo immediatamente e scollegare il cavo d'alimentazione.

7. Non collegare a questo prodotto altri apparecchi e accessori non previsti.

Quando è prevista l'installazione sospesa, utilizzare solamente gli appositi punti di ancoraggio e non cercare di appendere questo prodotto tramite elementi non idonei o previsti allo scopo.

Verificare inoltre l'idoneità del supporto (parete, soffitto, struttura ecc., al quale è ancorato il prodotto) e dei componenti utilizzati per il fissaggio (tasselli, viti, staffe non fornite da RCF ecc.) che devono garantire la sicurezza dell'impianto / installazione nel tempo, anche considerando, ad esempio, vibrazioni meccaniche normalmente generate da un trasduttore. Per evitare il pericolo di cadute, non sovrapporre fra loro più unità di questo prodotto, quando questa possibilità non è espressamente contemplata dal manuale istruzioni.

8. La RCF S.p.A. raccomanda vivamente che l'installazione di questo prodotto sia eseguita solamente da installatori professionali qualificati (oppure da ditte specializzate) in grado di farla correttamente e certificarla in accordo con le normative vigenti. Tutto il sistema audio dovrà essere in conformità con le norme e le leggi vigenti in materia di impianti elettrici.

IMPORTANTE



9. Sostegni e Carrelli. Se previsto, il prodotto va utilizzato solo su carrelli o sostegni consigliati dal produttore. L'insieme apparecchio-sostegno / carrello va mosso con estrema cura. Arresti improvvisi, spinte eccessive e superfici irregolari o inclinate possono provocare il ribaltamento dell'assieme.

10. Vi sono numerosi fattori meccanici ed elettrici da considerare quando si installa un sistema audio professionale (oltre a quelli prettamente acustici, come la pressione sonora, gli angoli di copertura, la risposta in frequenza, ecc.).

11. Perdita dell'udito

L'esposizione ad elevati livelli sonori può provocare la perdita permanente dell'udito. Il livello di pressione acustica pericolosa per l'udito varia sensibilmente da persona a persona e dipende dalla durata dell'esposizione. Per evitare un'esposizione potenzialmente pericolosa ad elevati livelli di pressione acustica, è necessario che chiunque sia sottoposto a tali livelli utilizzi delle adeguate protezioni; quando si fa funzionare un trasduttore in grado di produrre elevati livelli sonori è necessario indossare dei tappi per orecchie o delle cuffie protettive. Consultare i dati tecnici del manuale d'uso per conoscere le massime pressioni sonore che i monitor da studio sono in grado di produrre.

NOTE IMPORTANTI

Per evitare fenomeni di rumorosità indotta sui cavi che trasportano segnali dai microfoni o di linea (per esempio 0 dB), usare solo cavi schermati ed evitare di posarli nelle vicinanze di:

- **apparecchiature che producono campi elettromagnetici di forte intensità;**
- **cavi di rete;**
- **linee che alimentano altoparlanti.**

PRECAUZIONI D'USO



PRECAUZIONI D'USO

- **Collocare il prodotto lontano da fonti di calore e lasciare dello spazio libero intorno per garantire la circolazione dell'aria.**
- **Non sovraccaricare questo prodotto per lunghi periodi.**
- **Non forzare mai gli organi di comando (tasti, manopole ecc.).**
- **Non usare solventi, alcool, benzina o altre sostanze volatili per la pulitura delle parti esterne.**

NOTE IMPORTANTI

Prima di collegare ed utilizzare questo prodotto, leggere attentamente le istruzioni contenute in questo manuale, il quale è da conservare per riferimenti futuri.

Il presente manuale costituisce parte integrante del prodotto e deve accompagnare quest'ultimo anche nei passaggi di proprietà, per permettere al nuovo proprietario di conoscere le modalità d'installazione e d'utilizzo e le avvertenze per la sicurezza.

L'installazione e l'utilizzo errati del prodotto esimono la RCF S.p.A. da ogni responsabilità.

ATTENZIONE: per prevenire i rischi di fiamme o scosse elettriche, non esporre mai questo prodotto alla pioggia o all'umidità.

NOTE IMPORTANTI



ATTENZIONE





RCFTT+ rappresenta un altro importante capitolo della lunga storia di RCF. Sia che i diffusori siano progettati per musica dal vivo, per concerti in grandi spazi o per l'installazione fissa in teatri, il cliente si aspetta un livello di fedeltà e di intelligibilità decisamente superiore a quella degli impianti di precedente generazione. Questa esigenza ha fatto sì che i professionisti del settore audio sentissero la necessità di offrire un'ampia gamma di diffusori acustici abbinata a tecnologie di elaborazione ed amplificazione con prestazioni acustiche e di controllo di qualità superiore. RCF TT+ offre soluzioni e strumenti di immediato utilizzo nel campo dei diffusori attivi ad alta definizione.

Il nostro team di ricerca e sviluppo è in grado di offrire progetti innovativi con controllo di ogni dettaglio, dal rame smaltato di avvolgimento della bobina dell'altoparlante fino alla topologia ad elevata efficienza dell'amplificatore a dinamica estesa. Sono molti gli ingredienti che contribuiscono a creare prodotti e sistemi di qualità, tra questi i software di simulazione computerizzata che aiutano a comprendere il comportamento dei trasduttori ed il funzionamento dell'amplificatore, oltre allo studio della risposta dinamica e della risposta ai transienti. RCF utilizza oltre trenta software per lo studio di circuiti magnetici, dinamica delle bobine, linearità delle sospensioni, simulazione della dispersione delle trombe, filtri crossover, comportamento termico dell'amplificatore, ecc.

RCF è uno dei pochi produttori di altoparlanti al mondo in grado di elaborare completamente i progetti e di costruire trasduttori, diffusori, elettronica d'amplificazione e controllo. La nostra esperienza di oltre 50 anni nel settore audio abbinata ai nostri avanzati processi di ricerca e sviluppo nonché di produzione, ci permette di integrare perfettamente tutti gli ingredienti che compongono il sistema TT+.

La filosofia progettuale della nuova serie TT+, si basa sulla volontà di offrire soluzioni tecniche e strumenti acustici di immediato utilizzo. Fattori chiave sono la capacità di sostenere elevati livelli di potenza e di pressione sonora con grande efficienza. Intensi livelli sonori sono riprodotti con una definizione estremamente elevata ed estesa dinamica. I materiali high tech con i quali è costruita la serie TT+ permettono di ottenere un peso complessivo molto basso facilitando quindi sospensione e trasporto.

TTL6-A è un modulo line array attivo a tre vie studiato per generare un suono ad altissima fedeltà, progettato sia per uso interno che esterno, per spazi di grandi o medio-grandi dimensioni.

TTL6-A presenta tutti i vantaggi della tecnologia line array, come un alto livello di suono diretto, lunga gittata, diffusione uniforme del livello sonoro e grande facilità di utilizzo. Rappresenta il set up di scelta per sistemi a terra dove sia richiesta un'ampia dispersione sonora.

TTL6-A è provvisto di 2 woofer da 12" a bassa frequenza, 4 midrange da 6.5" e un compression driver da 3.0" provvisto di guida d'onda per una direttività omogenea definita. L'integrazione di un amplificatore digitale a 4 canali permette un'elaborazione dati veloce e affidabile definendo un nuovo standard di efficienza e qualità del suono.

TT+ HIGH DEFINITION TOURING AND THEATRE

INNOVAZIONE

INTEGRAZIONE

INTENSITÀ

TTL6-A, MODULO LINE ARRAY ATTIVO A TRE VIE



- 1 INGRESSO SEGNALE XLR FEMMINA (BAL/UNBAL). Il sistema accetta in ingresso connettori XLR.
- 2 USCITA SEGNALE XLR MASCHIO. Il connettore XLR di loop del segnale permette la connessione a catena di più diffusori.
- 3 ENCODER DI IMPOSTAZIONE DEL SISTEMA. Premere l'encoder per selezionare una funzione (gain reduction, delay, preset). Ruotare l'encoder per selezionare un valore od un preset.
 - 4 LED GAIN REDUCTION (RIDUZIONE DEL GUADAGNO). Premendo una volta l'encoder il led di GAIN REDUCTION (riduzione del guadagno) si illumina. Ruotando l'encoder il guadagno in ingresso si riduce al valore desiderato.
 - LED POWER (ALIMENTAZIONE). Il led verde è acceso quando il diffusore è connesso alla rete di alimentazione.
 - 5 LED DELAY. Premendo una seconda volta l'encoder il led DELAY (ritardo) si illumina. Ruotando l'encoder il ritardo raggiunge il valore desiderato. Il ritardo è espresso in metri.
 - LED SIGNAL (SEGNALE). Il led di segnale si accende con colore VERDE se è presente segnale audio all'ingresso XLR.
 - 6 PRESET LED. Premendo una terza volta l'encoder il led PRESET si illumina. Ruotando l'encoder si carica il preset desiderato.
 - LED LIMITER. L'amplificatore è dotato di un circuito di limiter in modo da prevenire il clipping dell'amplificatore. Quando il circuito di soft clipping è attivo il led lampeggia con colore ROSSO. È accettabile che il led lampeggi occasionalmente. Se il led si accende di continuo ridurre il segnale in ingresso.
- 7 DISPLAY DI SET UP DEL SISTEMA. Display a 7 segmenti di set up del sistema. Nel caso in cui sia attiva una connessione RDNet il display mostrerà un segmento rotante.
- 8 TASTO RDNET LOCAL SETUP/BYPASS. Quando il tasto è rilasciato viene caricato il set up locale ed RDNet può solo monitorare il diffusore. Quando il tasto è premuto RDNet ha il controllo del diffusore, il preset locale è bypassato e viene caricato il preset impostato tramite RDNet.
- 9 SEZIONE RDNET IN/OUT PLUG. La SEZIONE RDNET IN/OUT PLUG presenta due prese per connettori etherCON per l'interfaccia con il protocollo RDNet. Questo permette all'utente di controllare il diffusore tramite l'utilizzo del software RCF RDNet.



10 AC INPUT.
Connettore di alimentazione Powercon per cavo di rete.

11 AC OUTPUT.
Connettore di uscita di alimentazione Powercon.

ATTENZIONE: il connettore Powercon è utilizzato per disconnettere il sistema dalla rete di alimentazione. Durante l'installazione e l'uso del prodotto deve essere facilmente accessibile.

ATTENZIONE



ENCODER POSTERIORE E IMPOSTAZIONE DEL SISTEMA

Premendo l'encoder posteriore è possibile selezionare le seguenti funzioni:

- riduzione del guadagno di ingresso
- impostazione del ritardo del diffusore
- selezione di un preset del diffusore

Premendo una volta l'encoder posteriore il LED di riduzione del guadagno si illumina. Ora, ruotando l'encoder in senso antiorario è possibile ridurre il guadagno in ingresso. La riduzione del guadagno avviene in passi da 0,1 dB per i primi 10 decibel ed in passi da 1 dB per i successivi. La riduzione massima del guadagno in ingresso è di 99 dB.

Premendo una seconda volta l'encoder posteriore si illumina il LED dell'impostazione del ritardo temporale del diffusore. Ora, ruotando l'encoder in senso orario è possibile ritardare l'uscita audio del diffusore. Il ritardo è espresso in metri. Il ritardo è in passi da 0,1 metri per i primi 10 metri e in passi da un metro per i successivi. Il massimo ritardo è di 20 metri.

Premendo una terza volta l'encoder posteriore si illumina il LED di preset. Ora ruotando l'encoder è possibile selezionare un preset.

Sono disponibili otto preset divisi in tre gruppi:

- CLOSE (C). Quando la distanza dell'ascoltatore è inferiore a 4 metri.
- LINEAR (L). Quando la distanza dell'ascoltatore è fra 4 ed 11 metri.
- FAR (F). Quando la distanza dell'ascoltatore è superiore a 11 metri.

RIDUZIONE DEL GUADAGNO DI INGRESSO

IMPOSTAZIONE DEL RITARDO

SELEZIONE DI UN PRESET DEL DIFFUSORE

PRESET		LOW FREQ.	HIGH FREQ.	SERIAL NUMBER	MADE IN ITALY	RCF S.p.A. - Via Raffaello Sanzio, 13 42124 Reggio Emilia - Italy
L1	LINEAR	Linear	Linear			
L2	LINEAR	High pass	Linear			
L3	LINEAR	3 dB Boost	Linear			
L4	LINEAR	-3 dB Shelf	Linear			
C1	CLOSE LISTENING	Linear	-3 dB Shelf			
C2	CLOSE LISTENING	High pass	-3 dB Shelf			
F1	FAR LISTENING	Linear	3 dB Shelf			
F2	FAR LISTENING	High pass	3 dB Shelf			
S1	SIDE POSITIONING	S1: Linear	S2: High pass			
U1	VERTICAL ARRAY	U1: Linear	U2: High pass			

TTL6-A PRESETS

PRESET		HIGH PASS	LOW PASS	SERIAL NUMBER	MADE IN ITALY	RCF S.p.A. - Via Raffaello Sanzio, 13 42124 Reggio Emilia - Italy
E1	EXTENDED LOW	35 Hz	60 Hz			
E2	EXTENDED LOW	35 Hz	70 Hz			
E3	EXTENDED LOW	35 Hz	80 Hz			
E4	EXTENDED LOW	35 Hz	90 Hz			
S1	SIDE POSITIONING	35 Hz	50 Hz			
U1	VERTICAL POSITIONING	35 Hz	65 Hz			
U2	VERTICAL POSITIONING	35 Hz	65 Hz			
SE	LOW PASS EXCLUDED	35 Hz	400 Hz			
LE	LOW PASS EXCLUDED	45 Hz	400 Hz			

TTL6-AS PRESETS

TTL6-A PRESETS

L1. LINEAR. È un preset totalmente lineare. La curva di risposta del diffusore è perfettamente lineare. È ideale per gli ascolti all'aperto o in ambienti poco riverberanti, a media distanza ed a medi od alti livelli di volume.

L2. LINEAR HIGH PASS. Questo preset è simile al L1 ma con un filtro passa-alto a 24 dB/oct. a 100 Hz. Da usarsi quando il diffusore fa parte di un sistema più grande di diffusione, quando è un satellite di un subwoofer o quando l'applicazione è la riproduzione vocale.

L3. LINEAR LOW LEVEL - PLAYBACK. Questo preset è lineare con una leggera enfasi (boost +3 dB) alle basse frequenze. Da essere usato a bassi livelli di volume o in applicazioni di riproduzione della musica (playback).

L4. LINEAR INDOOR. Questo preset mostra una leggera riduzione (-3 dB shelf) alle basse frequenze. È ideale per un suono più bilanciato in stanze riverberanti e per la riproduzione vocale in ambienti chiusi.

C1. CLOSE. Preset per ascolto vicino. Da utilizzarsi quando la posizione di ascolto è inferiore ai 4 metri. Il preset mostra una leggera de-enfasi delle alte frequenze (-3 dB shelf). L'ascolto risulta bilanciato e mai aggressivo.

C2. CLOSE HIGH PASS. Questo preset è simile al C1 ma con un filtro passa-alto a 24 dB/oct. a 100 Hz.

F1. FAR. Preset per ascolto distante. Questo preset è utile in caso di ascolto a distanze superiori a 11 metri. Il preset mostra una leggera enfasi (+3 dB shelf) alle alte frequenze per compensare l'assorbimento dell'aria. Utilissimo per aumentare la chiarezza e l'intelligibilità in distanza.

F2. FAR HIGH PASS. Questo preset è simile al F1 ma con un filtro passa-alto a 24 dB/oct. a 100 Hz.

S1, S2. SIDE COUPLING PRESETS. Questi preset sono lineari quando i diffusori sono disposti a coppia uno a fianco all'altro. Questi preset sono stati progettati nello specifico per diffusori accoppiati con un angolo di affiancamento orizzontale che va da 70° a 80°. La parte frontale dei diffusori si presenta separata e la parte posteriore unita. Il preset S2 presenta un filtro passa alto a bassa frequenza.

U1, U2. VERTICAL COUPLING PRESETS. Questi preset sono lineari quando i diffusori sono disposti a coppia verticalmente. L'angolo di accoppiamento verticale può variare da 0° a 10° (con variazioni intermedie di 2°). Angoli di accoppiamento ridotti determinano una direttività ristretta ma migliore proiezione sonora e miglior definizione sulle lunghe distanze. Il preset U2 presenta un filtro passa alto a bassa frequenza.

TTL6-AS PRESETS

L1 - L2 - L3 - L4. EXTENDED LOW. Questi presets effettuano rispettivamente quattro tagli in frequenza per potere utilizzare il diffusore come subwoofer di altre casse della serie TT+.

S1 - S2. SIDE POSITIONING. Questi presets sono stati studiati per essere accoppiati al diffusore TTL6-A quando questo è configurato con i preset S1 e S2.

V1 - V2. VERTICAL POSITIONING. Questi presets sono stati studiati per essere accoppiati al diffusore TTL6-A quando questo è configurato con i preset V1 e V2.

SE - LE. LOW PASS EXCLUDED. Sono due preset "liberi", full range, sviluppati per poter creare liberamente e a piacere i tagli e gli incroci desiderati.

Dopo l'impostazione dei parametri il display a 7 segmenti lampeggerà una volta. Questo rappresenta l'avvenuto salvataggio dei parametri in memoria.

Una volta salvati, i parametri sono permanentemente in memoria. È possibile spegnere e riaccendere il diffusore, i parametri rimangono comunque memorizzati.

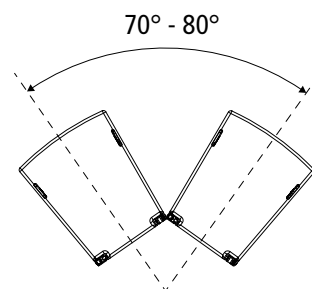
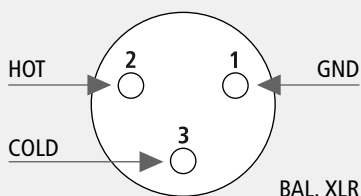
Per resettare il diffusore e riportarlo ai parametri originali:

- **spegnere il diffusore**
- **tenere premuto l'encoder**
- **accendere il diffusore**
- **il led giallo di stato (status) lampeggerà lentamente, tenere l'encoder premuto**
- **il led giallo di stato (status) lampeggerà velocemente, rilasciare l'encoder**
- **la procedura di reset è terminata**

Utilizzando una connessione RDNet è possibile caricare nella memoria del diffusore una equalizzazione dedicate da parte dell'utente. La procedura di reset cancellerà anche questa equalizzazione.

Il connettore di ingresso XLR segue il seguente standard AES:

- PIN 1 = TERRA (GROUND; SHIELD)
- PIN 2 = LATO CALDO (HOT; +)
- PIN 3 = LATO FREDDO (COLD; -)



SALVATAGGIO DI UN PRESET

RESET DEL DIFFUSORE

CONNESSIONI

A questo punto potete inserire il connettore di alimentazione e il connettore di segnale, ma prima di accendere il diffusore assicuratevi che il controllo di volume sia al minimo sia sul diffusore che sulla sorgente sonora collegata al diffusore (che generalmente sarà un mixer); è importante anche che il mixer sia già acceso al momento in cui viene acceso il diffusore a lui collegato. Queste due precauzioni vi eviteranno innanzitutto di accendere i diffusori in presenza di forti segnali in ingresso (evitando di causare danni al diffusore stesso ma soprattutto alle persone che vi si possono trovare davanti) e inoltre di far arrivare agli altoparlanti e al pubblico i fastidiosi "bump" causati dall'accensione delle apparecchiature audio a monte dei diffusori. Infatti è buona regola che i diffusori amplificati e gli amplificatori in genere siano sempre le ultime apparecchiature ad essere accese dopo il montaggio e le prime ad essere spente alla fine dello spettacolo.

A questo punto potete accendere il diffusore e alzare il controllo di livello a seconda delle necessità.

PRIMA DI ACCENDERE IL DIFFUSORE

NOTA PER L'ASSISTENZA



La sostituzione dei fusibili deve essere come da tabella:

FUSE VALUE T 6.30 A H 250 V

SELEZIONE DELLA TENSIONE DI ALIMENTAZIONE

(RISERVATO AI CENTRI SERVIZIO RCF)

INSTALLAZIONE

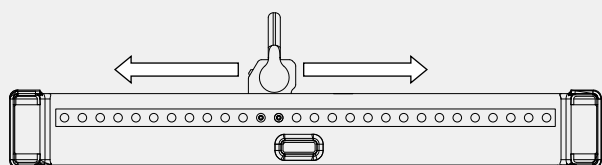
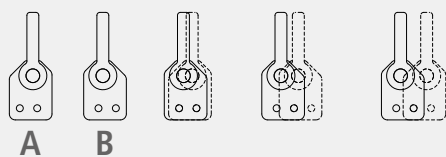
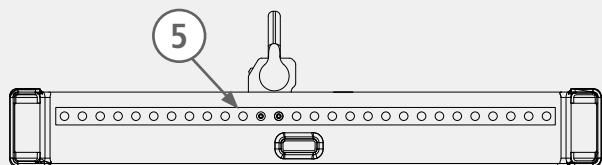
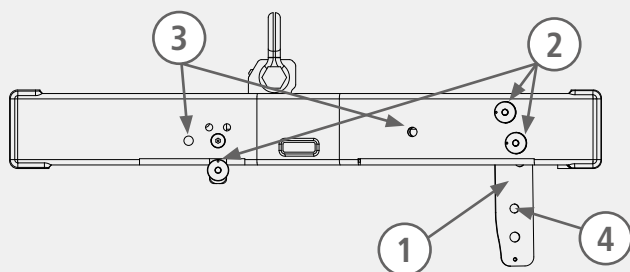


ATTENZIONE: quando più diffusori vengono alimentati in cascata assicurarsi sempre che la richiesta massima di corrente non superi la corrente massima ammessa dai connettori POWERCON. In caso di dubbio contattare il CENTRO ASSISTENZA RCF più vicino.

ATTENZIONE



1. INSTALLAZIONE FLYBAR



1. Staffa frontale fly bar
2. Foro bloccaggio pin (da usare per bloccare la staffa frontale)
3. Foro pin a riposo
4. Foro pin per appendere la cassa

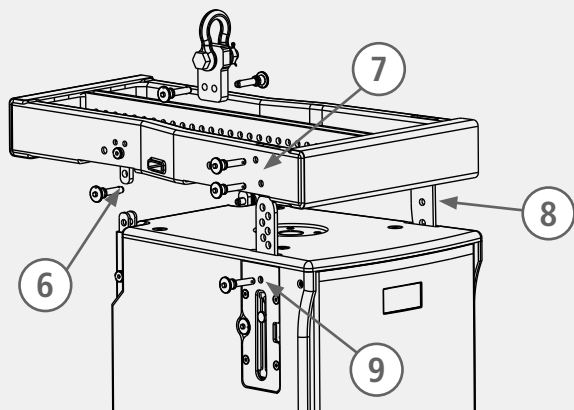
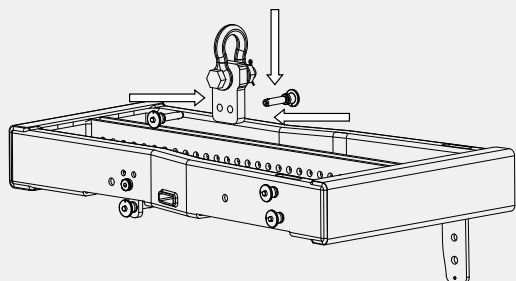
5. Fori fissaggio staffa di sollevamento.

La staffa di sollevamento è asimmetrica ed è utilizzabile in due posizioni (A e B).

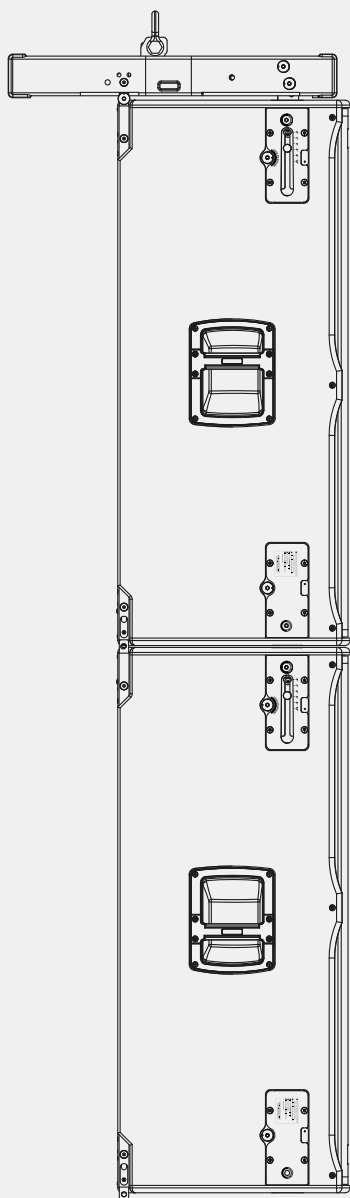
La **posizione A** porta il moschettone verso la parte anteriore.

La **posizione B** consente un passaggio intermedio utilizzando gli stessi fori di fissaggio.

Spostare la staffa di sollevamento in base all'angolo di inclinazione che si vuole assegnare al sistema.



VISTA LATERALE



Fissare la staffa pick-up con 2 pin sui fori delle staffe centrali del flybar. Controllare che i pin siano bloccati.

Posizionare la prima cassa sotto il Flybar.

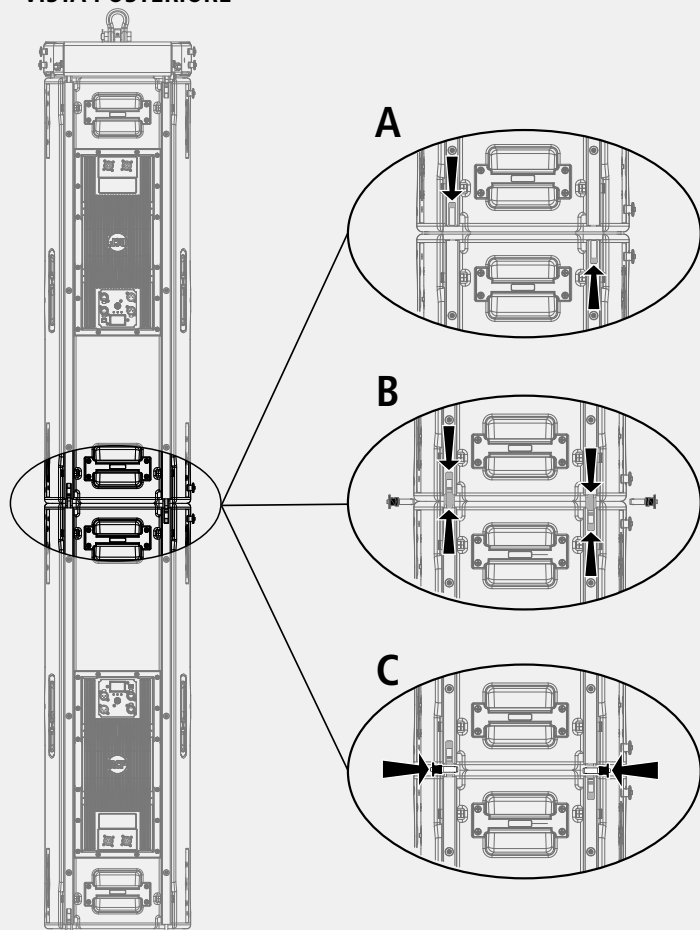
6. Bloccare le cerniere posteriori con gli appositi pin.
7. Inserire i pin di collegamento flybar con la sua staffa.
8. Impostare il foro per il bloccaggio della staffa flybar sulla cassa.
9. Inserire i pin di bloccaggio.

Controllare che tutti i pin siano bloccati per la sicurezza.

2. POSIZIONAMENTO CASSE

Appoggiare la cassa superiore a quella inferiore

VISTA POSTERIORE

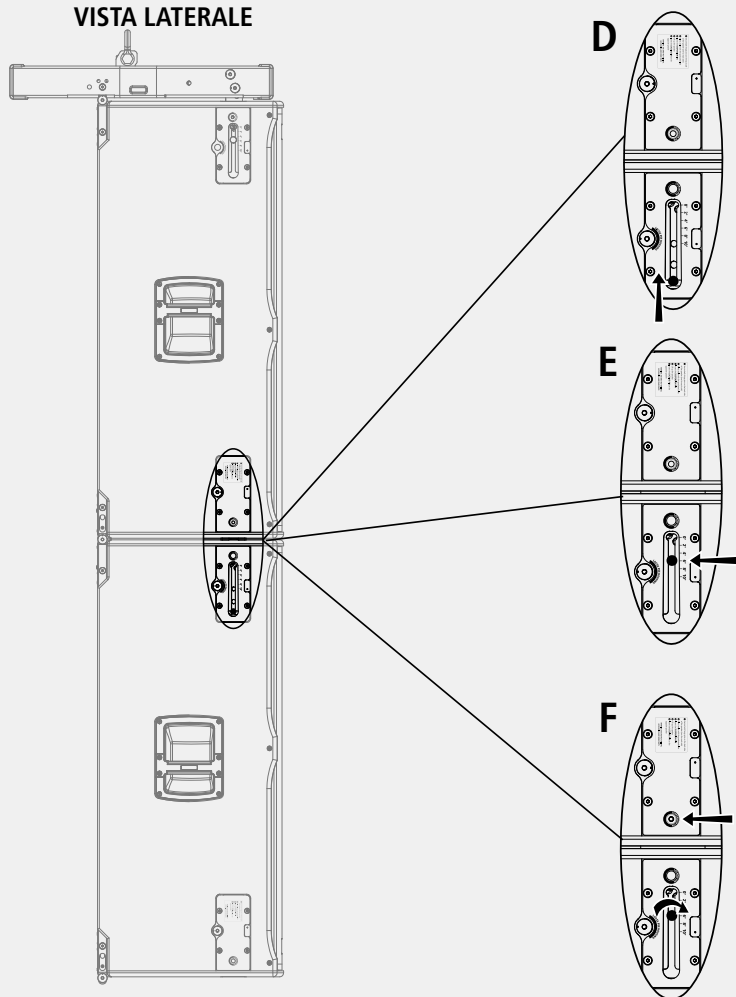


3. BLOCCO PIN POSTERIORI

Spostare le staffe dalla posizione di riposo (figura A) alla posizione di bloccaggio (figura B).

Agganciare le staffe nella posizione di bloccaggio con le spine da aggancio rapido (figura C).

VISTA LATERALE

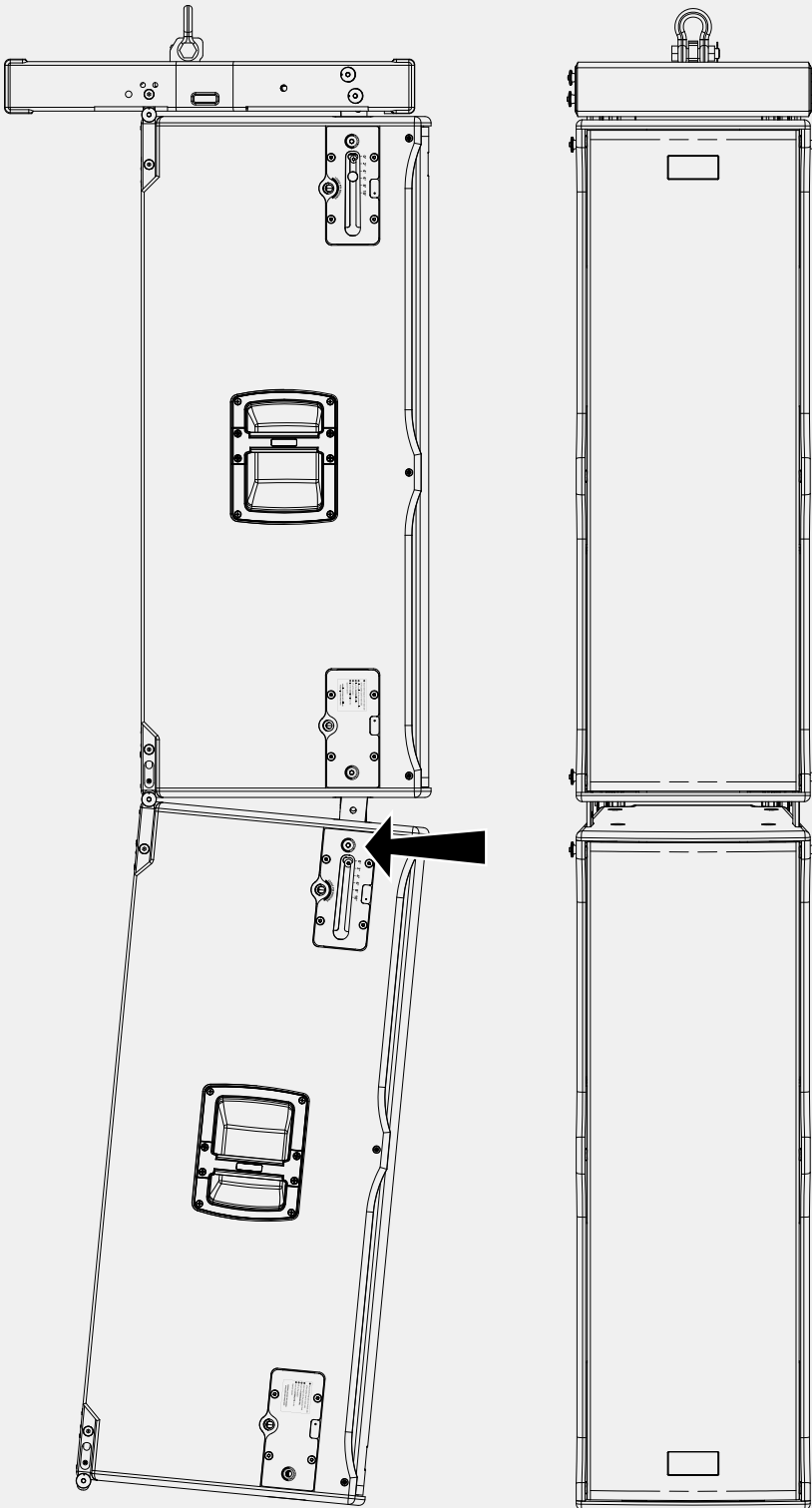


4. SCELTA DELL'ANGOLO DI INCLINAZIONE

Muovere la staffa anteriore all'interno dell'altra cassa utilizzando la manopola (figura D).

Scegliere l'angolo di inclinazione (figura E).

Inserire la spina nel foro "suspension pin" aiutandosi con la manopola (figura F).

5. BLOCCO PIN ANTERIORI

Sollevare la cassa ed inserire la spina nel foro "Locking Pin"



	TTL6-A	TTL6-AS
ACOUSTICAL		
Operating frequency range	45 - 20.000 Hz	35 - 400 Hz
Max SPL	139 dB	139 dB
Coverage	90° x 30°	-
Crossover frequencies	200, 800 Hz	selectable
TRANSDUCERS		
Low frequency	2 x 12" neo, 3.0" v.c.	3x12"neo,3.0"v.c.
Mid frequency	4 x 6.0" neo, 2.0" v.c.	-
High frequency	1.4", 3.0" v.c.	-
AMPLIFIER		
Total power	2200 Watt	1650 Watt RMS
Low section	1100 Watt	1650 Watt RMS
Mid section	700 Watt	-
High section	400 Watt	-
CONNECTIONS		
Signal Input/Output	xlr, RDNet Ethercon	xlr, RDNet Ethercon
Power Input/Output	Powercon IN/OUT	Powercon IN/OUT
CONTROLS		
	Close, Linear, Far, 2x Presets	Gain, EQ, Preset, Phase switch, Output Delay Settings
MECHANICAL		
Size	1100 x 378 x 468	1100 x 378 x 468
Weight	53 Kg	45 Kg



RCF S.p.A.
 Via Raffaello Sanzio, 13
 42124 Reggio Emilia - Italy
 Tel +39 0522 274 411
 Fax +39 0522 232 428
 e-mail: info@rcf.it