

# 1 X POLE MOUNT + SUBWOOFER 8004

## System Configuration

### DESCRIPTION

High SPL, 30°Constant Coverage

### SYSTEM SPECIFICATION

1 nos. modules of NXL 24-A per side on a pole mount.

## List of Equipment

QUANTITY	MODEL	DESCRIPTION	PART NUMBER
2	NXL 24-A	active two-way array	13000399 (230V) BLACK 13000400 (115V) BLACK
2	SUB 8004-AS	active high power subwoofer	13000392 (230V) 13000393 (115V)

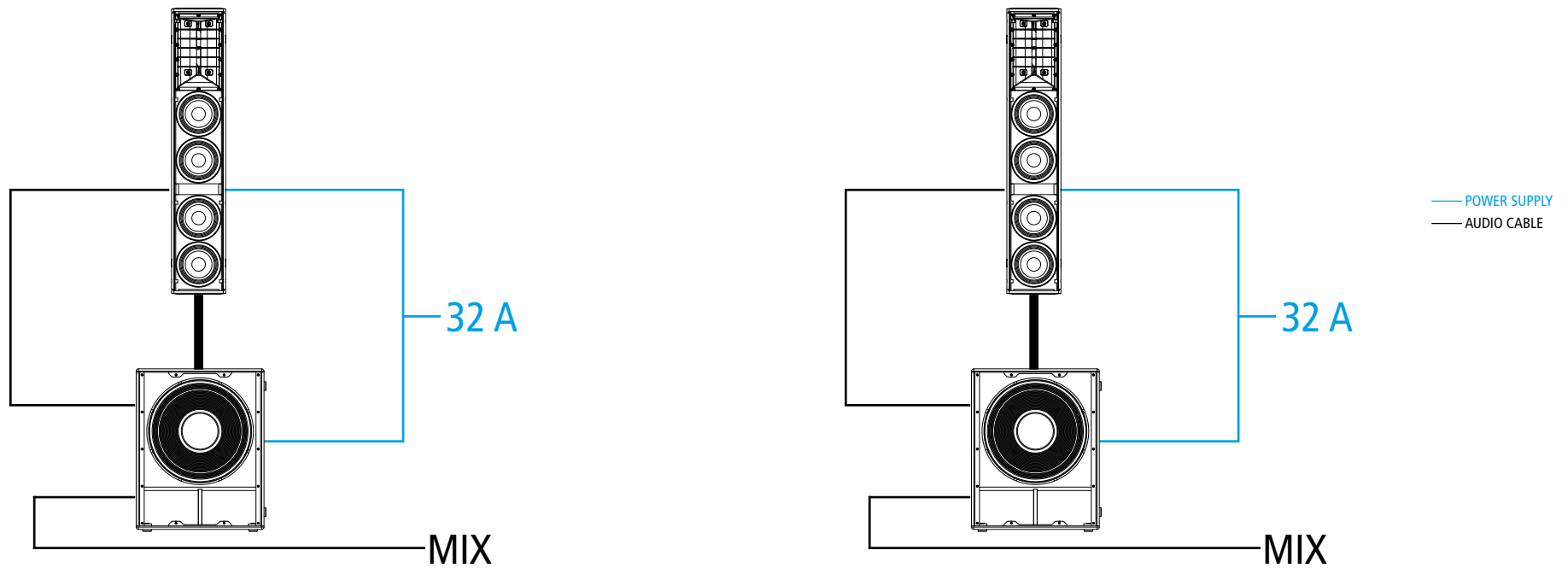
## Recommended Accessories

QUANTITY	MODEL	DESCRIPTION	PART NUMBER
2	AC PRO-PM	Steel pole mount accessory for a satellite loudspeaker on a subwoofer	13360110



# 1 X POLE MOUNT + SUBWOOFER 8004

## System Configuration



RCF Engineering Support Group is at your disposal for any information and clarification you might require [techsupport.pro@rcf.it](mailto:techsupport.pro@rcf.it)

