

ENGLISH

Infinity iB-2R

V3

Ordercode: 41531

Table of contents

Warning	2
Safety Instructions	2
Operating Determinations	4
Rigging	4
Connection with the mains.....	6
Return Procedure.....	6
Claims.....	6
Description of the device	7
Overview	8
Backside	8
Installation	8
Set Up and Operation	8
Control Modes.....	8
One Infinity (Built-in Programs).....	8
Multiple Infinities (DMX Control)	9
Fixture Linking.....	10
Data Cabling.....	10
Control Panel.....	11
Control Mode	11
DMX Addressing.....	11
Menu Overview.....	12
Main Menu Options.....	13
1. DMX Addressing.....	13
2. Edit Mode	14
3. Settings Menu	14
4. Built-in Programs.....	16
5. Test Menu	17
6. Information Menu	18
DMX Channels.....	19
18 Channels (Advanced).....	19
15 Channels (Advanced).....	23
Channel settings	26
Maintenance	26
Replacing a Fuse	26
Battery Replacement.....	27
(must be carried out by a qualified technician!)	27
Troubleshooting	28
Product Specification	30

Warning



**For your own safety, please read this user manual carefully
before your initial start-up!**

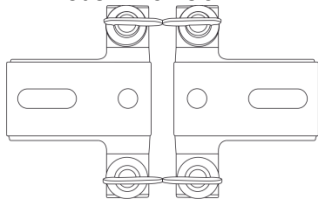


Unpacking Instructions

Immediately upon receiving this product, carefully unpack the carton and check the contents to ensure that all parts are present, and have been received in good condition. Notify the dealer immediately and retain packing material for inspection if any parts appear damaged from shipping or the carton itself shows signs of mishandling. Save the carton and all packing materials. In the event that a fixture must be returned to the factory, it is important that the fixture be returned in the original factory box and packing.

Your shipment includes:

- Infinity iB-2R LED Spot with Powercon powercable 0,9m
- 2 brackets for truss mounting
- Safety eye
- User manual



LED Expected Lifespan

LEDs gradually decline in brightness over time. HEAT is the dominant factor that leads to the acceleration of this decline. Packaged in clusters, LEDs exhibit higher operating temperatures than in ideal or singular optimum conditions. For this reason when all color LEDs are used at their fullest intensity, life of the LEDs is significantly reduced. If improving your lifespan expectancy is of a higher priority, place care in providing for lower operational temperatures. This may include climatic-environmental and the reduction of overall projection intensity.



CAUTION!

**Keep this device away from rain and moisture!
Unplug mains lead before opening the housing!**



Safety Instructions

Every person involved with the installation, operation and maintenance of this device has to:

- be qualified
- follow the instructions of this manual



**CAUTION! Be careful with your operations.
With a dangerous voltage you can suffer
a dangerous electric shock when touching the wires!**



Before your initial start-up, please make sure that there is no damage caused by transportation. Should there be any, consult your dealer and do not use the device.

To maintain perfect condition and to ensure a safe operation, it is absolutely necessary for the user to follow the safety instructions and warning notes written in this manual.

Please consider that damages caused by manual modifications to the device are not subject to warranty.

This device contains no user-serviceable parts. Refer servicing to qualified technicians only.

IMPORTANT:

The manufacturer will not accept liability for any resulting damages caused by the non-observance of this manual or any unauthorized modification to the device.

- Never let the power cord come into contact with other cables! Handle the power cord and all connections with the mains with particular caution!
- Never remove warning or informative labels from the unit.
- Never use anything to cover the ground contact.
- Never lift the fixture by holding it at the projector-head, as the mechanics may be damaged. Always hold the fixture at the transport handles.
- Never place any material over the lens.
- Never look directly into the light source.
- Never leave any cables lying around.
- Do not insert objects into air vents.
- Do not connect this device to a dimmer pack.
- Do not switch the device on and off in short intervals, as this would reduce the device's life.
- Do not touch the device's housing bare-handed during its operation (housing becomes very hot). Allow the fixture to cool for at least 5 minutes before handling.
- Do not shake the device. Avoid brute force when installing or operating the device.
- Only use device indoors, avoid contact with water or other liquids.
- Only operate the fixture after having checked that the housing is firmly closed and all screws are tightly fastened.
- Only operate the device after having familiarized with its functions.
- Avoid flames and do not put close to flammable liquids or gases.
- Always keep case closed while operating.
- Always allow free air space of at least 50 cm around the unit for ventilation.
- Always disconnect power from the mains, when device is not used or before cleaning! Only handle the power cord by the plug. Never pull out the plug by tugging the power cord.
- Make sure that the device is not exposed to extreme heat, moisture or dust.
- Make sure that the available voltage is not higher than stated on the rear panel.
- Make sure that the power cord is never crimped or damaged. Check the device and the power cord from time to time.
- If the lens is obviously damaged, it has to be replaced, so that its functions are not impaired due to cracks or deep scratches.
- If device is dropped or struck, disconnect mains power supply immediately. Have a qualified engineer inspect for safety before operating.
- If the device has been exposed to drastic temperature fluctuation (e.g. after transportation), do not switch it on immediately. The arising condensation water might damage your device. Leave the device switched off until it has reached room temperature.
- If your Infinity device fails to work properly, discontinue use immediately. Pack the unit securely (preferably in the original packing material), and return it to your Infinity dealer for service.
- For adult use only. Moving head must be installed out of the reach of children. Never leave the unit running unattended.
- Never attempt to bypass the thermostatic switch or fuses.
- For replacement use fuses of same type and rating only.
- The user is responsible for correct positioning and operating of the Infinity. The manufacturer will not accept liability for damages caused by the misuse or incorrect installation of this device.
- This device falls under protection class I. Therefore it is essential to connect the yellow/green conductor to earth.
- Repairs, servicing and electric connection must be carried out by a qualified technician.
- WARRANTY: Till one year after date of purchase.



CAUTION! Eyedamages!!!
Avoid looking directly into the lightsource!!!
(meant especially for epileptics)!!!



Operating Determinations

- This device is not designed for permanent operation. Consistent operation breaks will ensure that the device will serve you for a long time without defects.
- The minimum distance between light-output and the illuminated surface must be more than 1 meter.
- The maximum ambient temperature $t_a = 45^\circ\text{C}$ must never be exceeded.
- The relative humidity must not exceed 50 % with an ambient temperature of 40°C .
- If this device is operated in any other way, than the one described in this manual, the product may suffer damages and the warranty becomes void.
- Any other operation may lead to dangers like short-circuit, burns, electric shock, crash etc.

You endanger your own safety and the safety of others!

Rigging

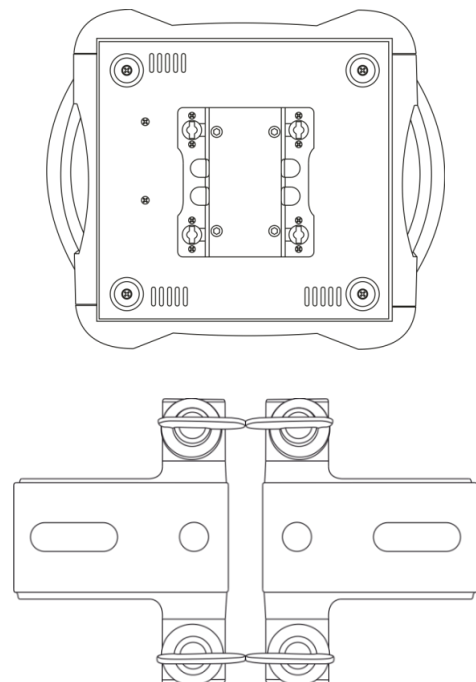
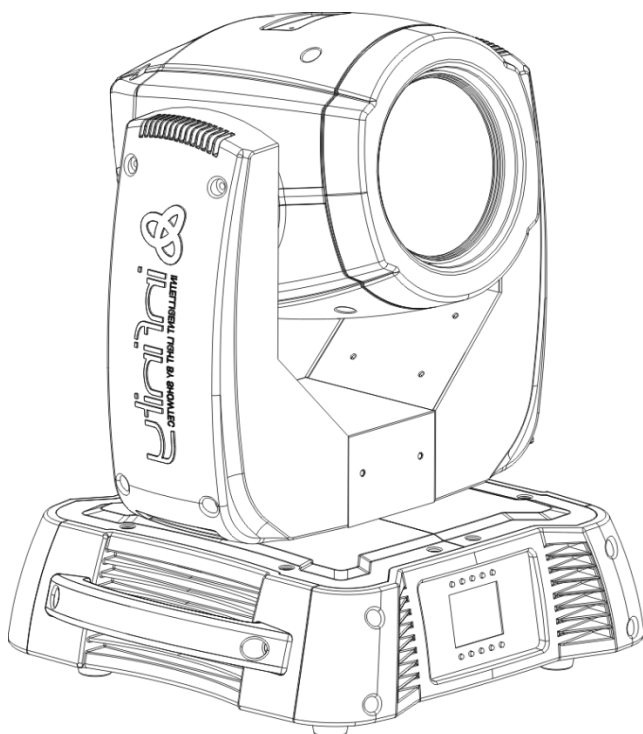
Please follow the European and national guidelines concerning rigging, trussing and all other safety issues.

Do not attempt the installation yourself !

Always let the installation be carried out by an authorized dealer !

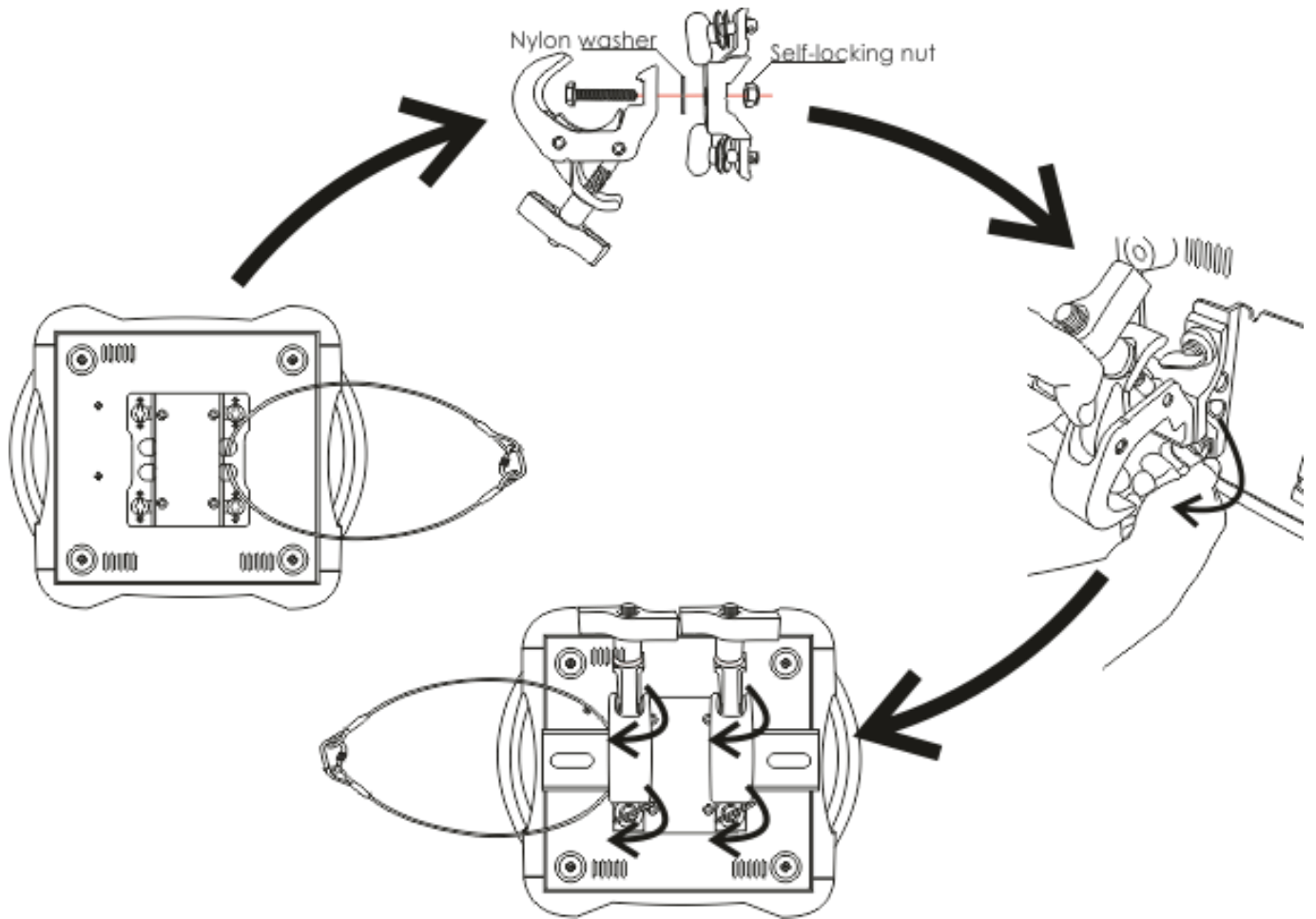
Procedure:

- If the Infinity is lowered from the ceiling or high joists, professional trussing systems have to be used.
- Use a clamp to mount the Infinity, with the mounting bracket, to the trussing system.
- The Infinity must never be fixed swinging freely in the room.
- The installation must always be secured with a safety attachment, e.g. an appropriate safety net or safety-cable.
- When rigging, derigging or servicing the Infinity, always make sure, that the area below the installation place is blocked and staying in the area is forbidden.



The Infinity can be placed on a flat stage floor or mounted to any kind of truss by a clamp.

Mounting a clamp to the underside of the Infinity moving head




Improper installation can cause serious damage to people and property !

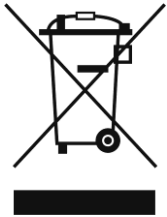
Connection with the mains

Connect the device to the mains with the power-plug.

Always pay attention, that the right color cable is connected to the right place.

International	EU Cable	UK Cable	US Cable	Pin
L	BROWN	RED	YELLOW/COPPER	PHASE
N	BLUE	BLACK	SILVER	NULL
	YELLOW/GREEN	GREEN	GREEN	EARTH

Make sure that the device is always connected properly to the earth!



Return Procedure

Returned merchandise must be sent prepaid and in the original packing, call tags will not be issued. Package must be clearly labeled with a Return Authorization Number (RMA number). Products returned without an RMA number will be refused. Highlite will not accept the returned goods or any responsibility. Call Highlite 0031-455667723 or mail aftersales@highlite.nl and request an RMA prior to shipping the fixture. Be prepared to provide the model number, serial number and a brief description of the cause for the return. Be sure to properly pack fixture, any shipping damage resulting from inadequate packaging is the customer's responsibility. Highlite reserves the right to use its own discretion to repair or replace product(s). As a suggestion, proper UPS packing or double-boxing is always a safe method to use.

Note: If you are given an RMA number, please include the following information on a piece of paper inside the box:

- 01) Your name
- 02) Your address
- 03) Your phone number
- 04) A brief description of the symptoms

Claims

The client has the obligation to check the delivered goods immediately upon delivery for any shortcomings and/or visible defects, or perform this check after our announcement that the goods are at their disposal. Damage incurred in shipping is the responsibility of the shipper; therefore the damage must be reported to the carrier upon receipt of merchandise.

It is the customer's responsibility to notify and submit claims with the shipper in the event that a fixture is damaged due to shipping. Transportation damage has to be reported to us within one day after receipt of the delivery.

Any return shipment has to be made post-paid at all times. Return shipments must be accompanied with a letter defining the reason for return shipment. Non-prepaid return shipments will be refused, unless otherwise agreed in writing.

Complaints against us must be made known in writing or by fax within 10 working days after receipt of the invoice. After this period complaints will not be handled anymore.

Complaints will only then be considered if the client has so far complied with all parts of the agreement, regardless of the agreement of which the obligation is resulting.

Description of the device

Features

The Infinity iB-2R is a moving-head with high output and great effects.

- Beam effect
- High torque motors
- Ultra-fast movements
- Quick-lock screws on the covers
- Onboard: Battery powered full color display including gravity sensor
- Onboard: 16x2 character display
- DMX-control via standard DMX-controller
- User-selectable Pan & Tilt ranges, 540° / 360° / 180° / 90°
- Reverse Pan / Tilt movement
- Special: Pan / Tilt movement, Color, Gobo change blackout
- Pan 0° -- 540°, Tilt 0° -- 270°
- Pan/Tilt resolution: 16 bit
- Control: DMX-512, Built-in programs
- Gobo wheel: Static gobo wheel with 17 metal gobos and open
- Gobo functions: Gobo-flow effect, Gobo shake
- Color wheel: 14 dichroic filters and white
- Color functions: Split colors, Rainbow-flow effect
- Rotation: Bi-directional
- Prism wheel 1: 5-facet rotating prism
- Prism wheel 2: 8-facet rotating prism
- 10 built-in programs selectable by DMX
- Light source: Osram Sirius HRI 132W (included)
- Lamp socket: E19
- Color temp.: 9200K
- Beam angle: 3°
- Input voltage: 100-240 VAC
- Continuous power: 265W max. at full output
- Dimmer: 0-100%, mechanical
- Strobe: 0-20Hz
- Focus: Motorized
- Housing: Black metal & flame-retardant plastic
- Connections: XLR Data in/out (XLR 3-pin + XLR 5-pin)
- Neutrik Powercon IN
- User selectable Basic (15CH) or Advanced (19CH) operating modes
- Fuse: F5A / 250V
- Dimensions: 303 x 366 x 475 mm (LxWxH)
- Weight: 17,78 kg
- Minimum distance to lighted objects: 6,5m

Optional accessories

[MOD41531](#) – Wireless DMX upgrade kit, External Antenna

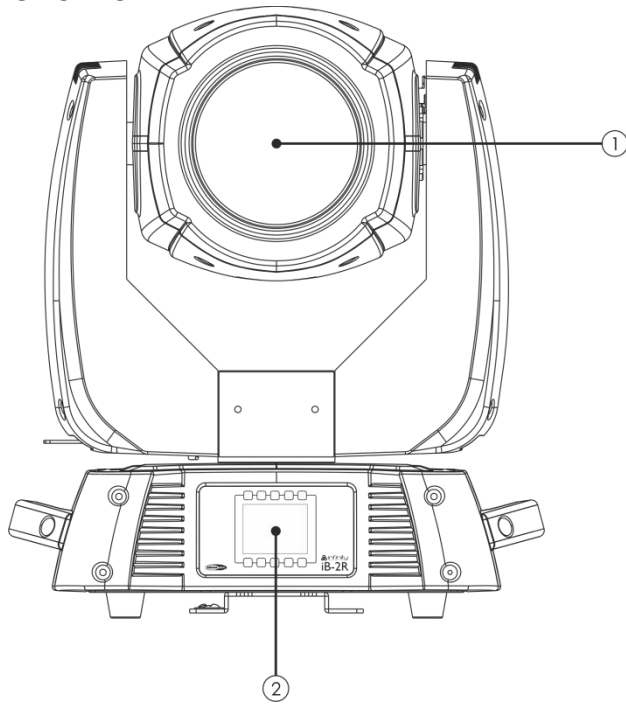
[MOD41531IA](#) - Wireless DMX upgrade kit, Internal Antenna



**The Wireless DMX upgrade kits should be installed ONLY by a qualified technician.
Do not attempt installation yourself!**



Overview



Backside

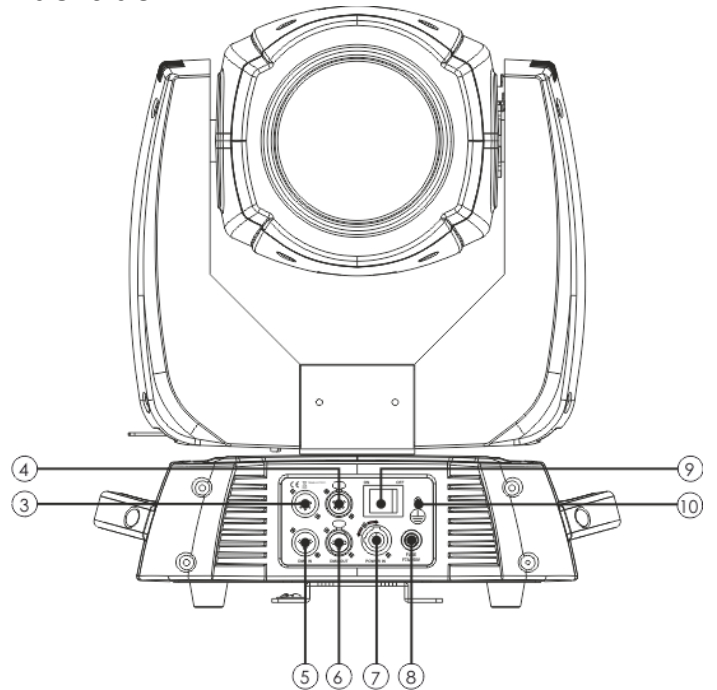


Fig. 01

Fig. 02

- | | |
|------------------------------------|------------------------------------|
| 01) Lens | 06) 3-pin DMX signal connector OUT |
| 02) LCD display | 07) Neutrik Powercon IN |
| 03) 5-pin DMX signal connector IN | 08) Fuse 5A/250V |
| 04) 5-pin DMX signal connector OUT | 09) Power switch ON/OFF |
| 05) 3-pin DMX signal connector IN | 10) Ground/Earth connection |

NOTE: Knowledge of DMX is required to fully utilize this unit.

Installation

Remove all packing materials from the Infinity iB-2R. Check that all foam and plastic padding is removed. Connect all cables.

Do not supply power before the whole system is set up and connected properly.
Always disconnect from electric mains power supply before cleaning or servicing.
Damages caused by non-observance are not subject to warranty.

Set Up and Operation

Follow the directions below, as they pertain to your preferred operation mode. Before plugging the unit in, always make sure that the power supply matches the product specification voltage. Do not attempt to operate a 120V specification product on 230V power, or vice versa.

Control Modes

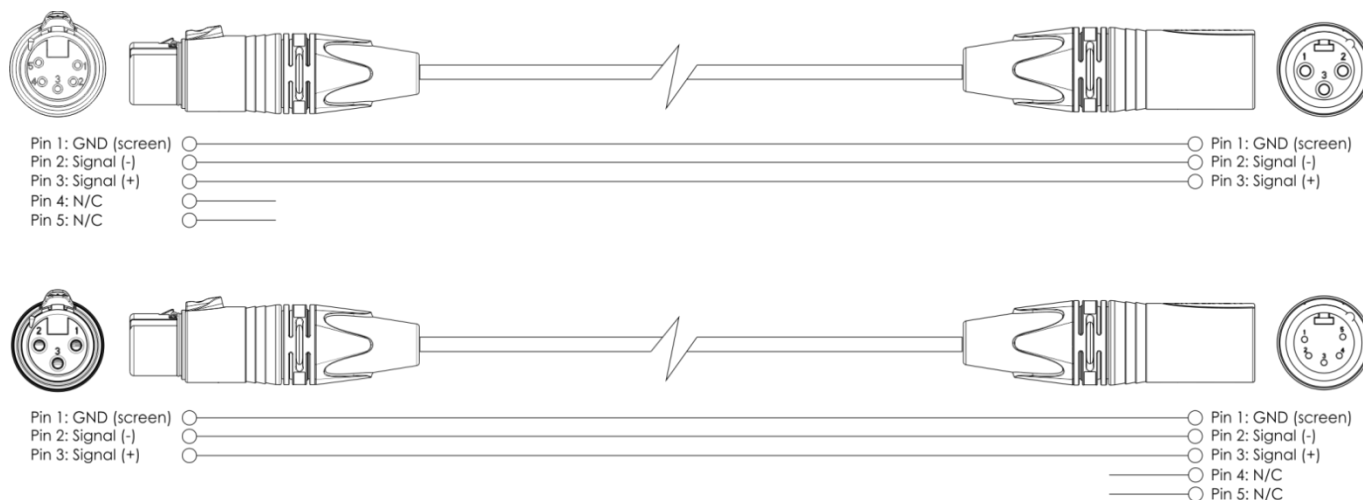
- There are 2 modes:
- Stand-alone (built-in programs)
 - DMX512 (15CH, 19CH)

One Infinity (Built-in Programs)

- 01) Fasten the effect light onto firm trussing. Leave at least 1 meter on all sides for air circulation.
- 02) Always use a safety cable (ordercode 70140 / 70141).
- 03) Plug the end of the electric mains power cord into a proper electric power supply socket.
- 04) When the Infinity is not connected by a DMX-cable, it functions as a stand-alone device.
- 05) Please see page 16 for more information about the built-in programs.

Multiple Infinitys (DMX Control)

- 01) Fasten the effect light onto firm trussing. Leave at least 1 meter on all sides for air circulation.
- 02) Always use a safety cable (ordercode 70140 / 70141).
- 03) Plug the end of the electric mains power cord into a proper electric power supply socket.
- 04) Use a 3-pin XLR cable to connect the Infinitys and other devices.



- 05) Link the units as shown in (fig. 03). Connect a DMX signal cable from the first unit's DMX "out" socket to the second unit's "in" socket. Repeat this process to link the second, third, and fourth units.
- 06) Supply electric power: Plug electric mains power cords into each unit's Powercon socket, then plug the other end of the mains power cord into proper electric power supply sockets, starting with the first unit. Do not supply power before the whole system is set up and connected properly.

Multiple Infinitys DMX Set Up

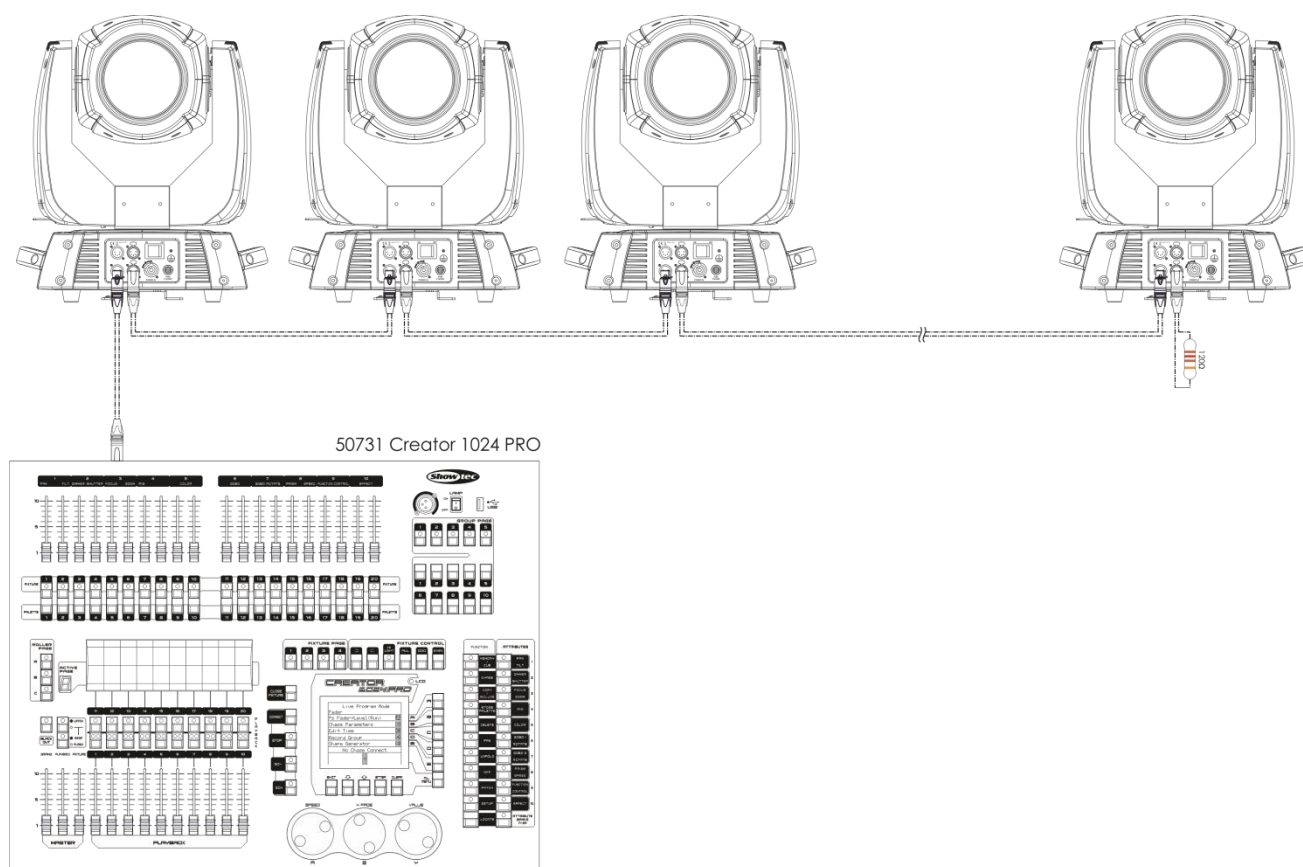


Fig. 03

Note : Link all cables before connecting electric power

Fixture Linking

You will need a serial data link to run light shows of one or more fixtures using a DMX-512 controller or to run synchronized shows on two or more fixtures set to a master/slave operating mode. The combined number of channels required by all the fixtures on a serial data link determines the number of fixtures the data link can support.

Important: Fixtures on a serial data link must be daisy chained in one single line. To comply with the EIA-485 standard no more than 30 devices should be connected on one data link. Connecting more than 30 fixtures on one serial data link without the use of a DMX optically isolated splitter may result in deterioration of the digital DMX signal.



Maximum recommended DMX data link distance: 100 meters
Maximum recommended number of Infinities on a DMX data link: 30 fixtures

Data Cabling

To link fixtures together you must obtain data cables. You can purchase DAP Audio certified DMX cables directly from a dealer/distributor or construct your own cable. If you choose to create your own cable please use data-grade cables that can carry a high quality signal and are less prone to electromagnetic interference.

DAP Audio Certified DMX Data Cables

- DAP Audio Basic microphone cable for allround use. bal. XLR/M 3-pin > XLR/F 3-pin. **Ordercode** FL01150 (1,5 m), FL013 (3 m), FL016 (6 m), FL0110 (10 m), FL0115 (15 m), FL0120 (20 m).
- DAP Audio X-type data cable XLR/M 3-pin > XLR/F 3-pin. **Ordercode** FLX0175 (0,75 m), FLX01150 (1,5 m), FLX013 (3 m), FLX016 (6 m), FLX0110 (10 m).
- DAP Audio cable for the demanding user with exceptional audio-qualities and connector made by Neutrik®. **Ordercode** FL71150 (1,5 m), FL713 (3 m), FL716 (6 m), FL7110 (10 m).
- DAP Audio cable for the demanding user with exceptional audio-qualities and connector made by Neutrik®. **Ordercode** FL7275 (0,75 m), FL72150 (1,5 m), FL723 (3 m), FL726 (6 m), FL7210 (10 m).
- DAP Audio 110 Ohm cable with digital signal transmission. **Ordercode** FL0975 (0,75 m), FL09150 (1,5 m), FL093 (3 m), FL096 (6 m), FL0910 (10 m), FL0915 (15 m), FL0920 (20 m).

The Infinity can be operated with a controller in **control mode** or without the controller in **stand-alone mode**.

Control Panel

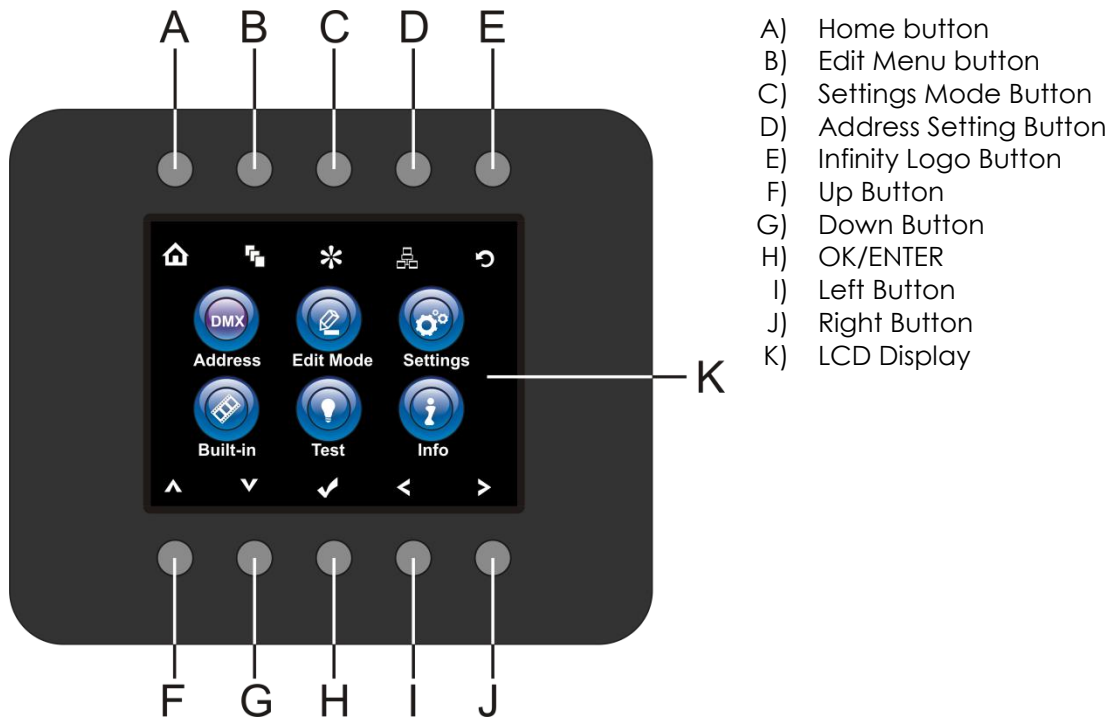


Fig. 04

Control Mode

The fixtures are individually addressed on a data-link and connected to the controller. The fixtures respond to the DMX signal from the controller. (When you select the DMX address and save it, the controller will display the saved DMX address the next time.)

DMX Addressing

The control panel on the front side of the base allows you to assign the DMX fixture address, which is the first channel from which the Infinity will respond to the controller. Please note when you use the controller, the unit has **19** channels. When using multiple Infinities, make sure you set the DMX addresses right. Therefore, the DMX address of the first Infinity should be **1(001)**; the DMX address of the second Infinity should be **1+19=20 (020)**; the DMX address of the third Infinity should be **20+19=39 (039)**, etc. Please, be sure that you do not have any overlapping channels in order to control each Infinity correctly. If two or more Infinities are addressed similarly, they will work similarly.

Controlling:

After having addressed all Infinity fixtures, you may now start operating these via your lighting controller. **Note:** After switching on, the Infinity will automatically detect whether DMX 512 data is received or not. If there is no data received at the DMX-input, the "LED" on the control panel will not flash.

The problem may be:

- The XLR cable from the controller is not connected with the input of the Infinity.
- The controller is switched off or defective, the cable or connector is defective, or the signal wires are swapped in the input connector.

Note: It is necessary to insert a XLR termination plug (with 120 Ohm) in the last fixture in order to ensure proper transmission on the DMX data link.

Menu Overview



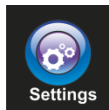
Main Menu Options



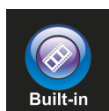
DMX address



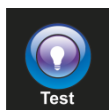
Edit Mode



Settings Menu



Built-in Programs



Test Mode



Info



Home



Up



Edit Menu



Down



Setting Mode



OK



Address Setting



Left



Infinity Logo



Right

1. DMX Addressing

With this menu you can set the DMX address.

01) Press the  button and select .

02) Press the  button, to confirm. You can choose 512 different DMX addresses.


Press the Left / Right / Up / Down buttons to select the required address from **001** ^{Up/Down} **512**.

03) Once you have set the desired DMX address, press the  button to save changes.


2. Edit Mode

With this menu you can set your desired operation mode.

01) Press the  button and select  .

02) Press the  button, to confirm. You can choose 3 different modes.
Use the Up / Down buttons to select the required mode:

DMX MODE 15(CH)	YES
DMX MODE 19(CH)	NO
MASTER MODE	NO

03) Once you have selected the desired mode, press the   buttons to change the value from NO to YES.

04) Once you have selected the desired mode, press the  button to save settings.


05) If the device has been set to master, all slave devices will follow the master movement.

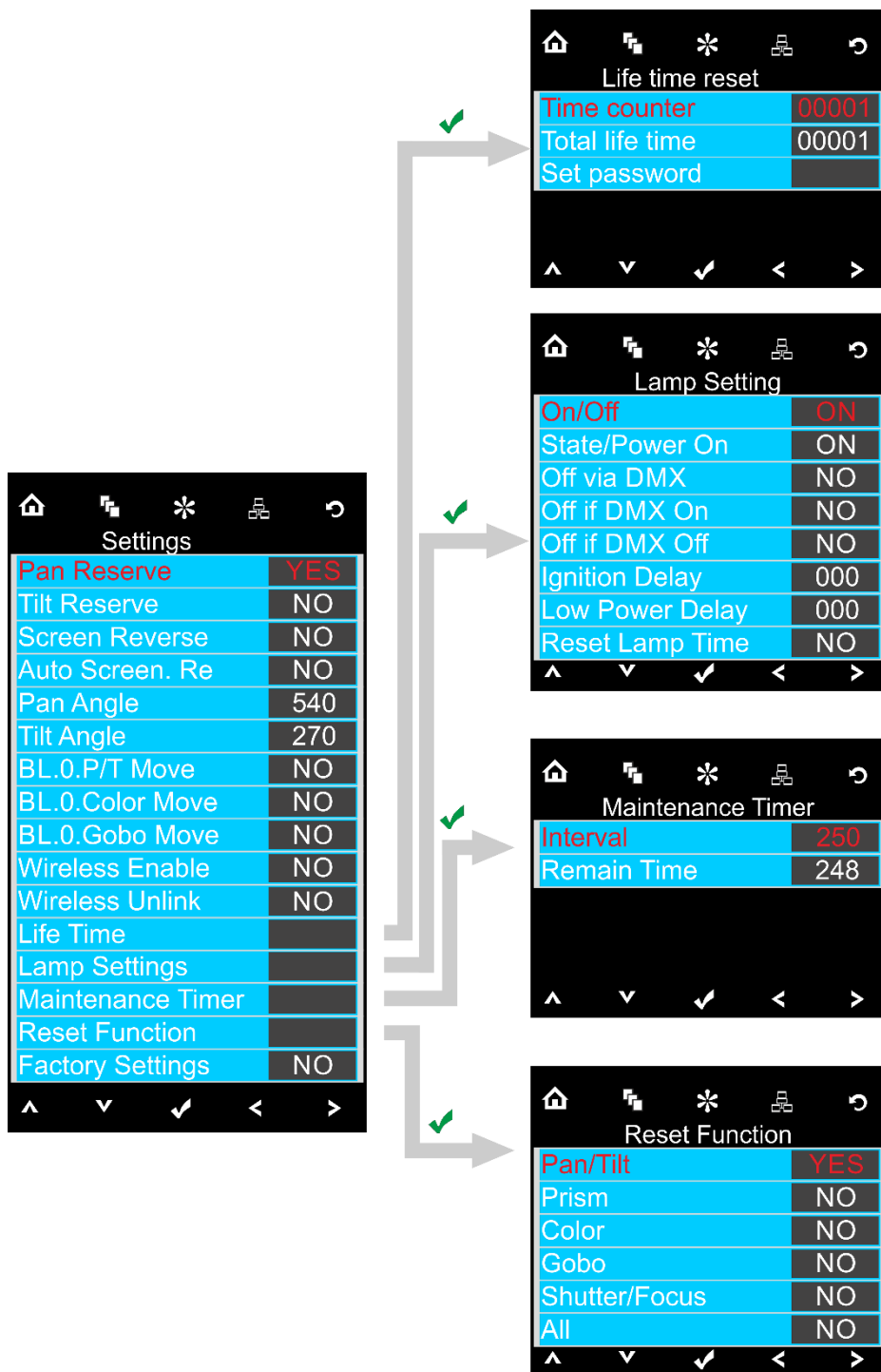
06) If the device has been set to slave, it will react the same as its master device.





3. Settings Menu

With this menu you can set your desired settings mode.

01) Press the  button and select  .

02) Press the  button, to confirm. You can choose 16 different modes.
Use the Up / Down buttons to select the required mode:



- 03) Once you have selected the desired mode, press the   buttons to change the value from NO to YES.
- 04) A couple of menus have different options to the regular YES/NO function:
 Pan Angle: 540°, 360°, 180°
 Tilt Angle: 270°, 180°, 90°
- 05) If you press the OK button in Life Time menu, a new menu will open.
- 06) In Life Time menu you can see two counters: the time counter and the total life time. It is only possible to reset the time counter. Select the counter by pressing the  button. Confirm "Yes" with the  button and set the password. The default password is "1234", you can change this to your desired password with the option "Set password" in the menu.


07) In Lamp Setting menu you can set 8 options:

- Lamp Setting On/Off [No/Yes]
- State/Power On [No/Yes]
- Off via DMX [No/Yes]
- Off if DMX on [No/Yes]
- Off if DMX off [No/Yes]
- Ignition Delay [000-255]
- Low Power Delay [000-255]
- Reset Lamp Time [No/Yes]
- Interval [000-255]
- Remain Time [000-255]
- open.
- Pan/Tilt
- Prism
- Color
- Gobo
- Shutter/Focus
- Reset All

08) In Maintenance Timer menu you can set 2 options:

09) If you press the OK button in Reset menu, a new menu will

10) You can set 6 different reset options:


11) Once you have selected the desired setting, press the  button to save changes.

Note: The options “Wireless Enable” and “Wireless Unlink” can only be used if the device has been equipped with its, separately available, Wireless DMX upgrade kits [MOD41531](#) or [MOD41531IA](#).



4. Built-in Programs

With this menu you can set your desired program.

01) Press the  button and select .

02) Press the  button, to confirm. You can choose 10 different programs. Press the Up / Down buttons to select the required program:

Program Number 0	YES
Program Number 1	NO
Program Number 2	NO
Program Number 3	NO
Program Number 4	NO
Program Number 5	NO
Program Number 6	NO
Program Number 7	NO
Program Number 8	NO
Program Number 9	NO


03) Once you have selected the desired program, press the   buttons to change the value from NO to YES.

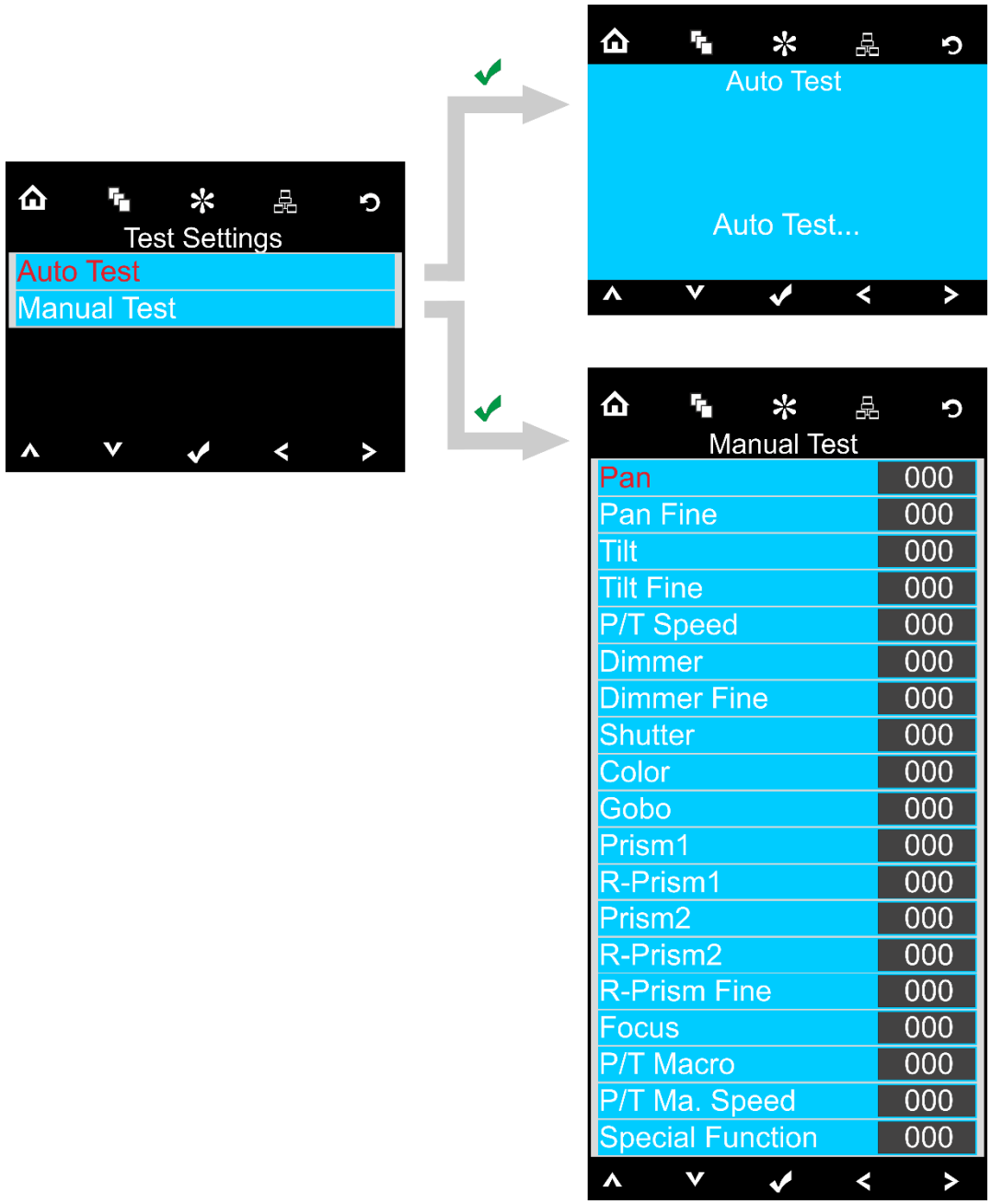
04) Once you have selected the desired program, press the  button to store your program.



5. Test Menu

With this menu you can set your desired test mode.

01) Press the  button and select .

02) Press the  button, to confirm. You can choose 2 different modes.
Press the Up / Down buttons to select the required mode:



03) Once you have selected the desired mode, press the   buttons to change the value from 000 to 255.

04) If you press the OK button in Manual Test, a new menu will open.

05) You can set 19 different test options.

06) Once you have selected the desired setting, press the  button to store your settings.

6. Information Menu

With this menu you can see several pieces of information.

01) Press the  button and select .

02) Press the  button, to confirm.

03) You can view 8 settings.



DMX Channels

19 Channels (Advanced)

Channel 1 – Horizontal movement (Pan)

Push the slider up, in order to move head horizontally (PAN).
 Gradual head adjustment from one end of the slider to the other (0-255, 128-center).
 The head can be turned by 540° and stopped at any position you wish.

Channel 2 – Vertical movement (Tilt)

Push the slider, up in order to move head vertically (TILT).
 Gradual head adjustment from one end of the slider to the other (0-255, 128-center).
 The head can be turned by 270° and stopped at any position you wish.

Channel 3 – Pan fine 16 bit

Channel 4 – Tilt fine 16 bit

Channel 5 – PAN/TILT Speed

0-255 From Max Speed (0) to Min. Speed (255)

Channel 6 – Dimmer intensity  **CH8 must be open** 
 0-255 From black to brightest

Channel 7 – Dimmer Fine  **CH8 must be open** 
 0-255 From black to brightest

Channel 8 – Shutter / Strobe  **CH6 must be open** 
 0-7 Close

8-15	Shutter open
16-131	Strobe effect, from slow to fast (0-10 flashes/sec.)
132-167	Fast close/shutter and slow opening, from slow to fast (0-10 flashes/sec.)
168-203	Slow close/shutter and fast opening, from slow to fast (0-10 flashes/sec.)
204-239	Pulse strobe effect, from slow to fast (0-10 flashes/sec.)
240-247	Random strobe effect, from slow to fast (0-10 flashes/sec.)
248-255	Shutter open

Channel 9 – Color wheel

Linear color change following the movement of the slider. Between 128-189 and 194-255, the color wheel rotates continuously the so-called “Rainbow” effect.

0-4	Open / White
5-8	Red
9-12	Deep Yellow/Orange
13-16	Turquoise
17-20	Green
21-24	Light Green/Yellow
25-28	Light Blue/Purple
29-32	Rose Red
33-36	Light Yellow
37-40	Pink
41-44	Blue
45-48	Warm White
49-52	½ CTO
53-56	Cool White
57-60	UV
61-127	Split Color
128-189	Clockwise rotation (CW) rainbow effect from fast to slow
190-193	Stop
194-255	Counterclockwise rotation (CCW) rainbow effect from slow to fast



Channel 10 – Static gobo wheel + Gobo Shake

0-3	Open / White
4-6	Gobo 1
7-9	Gobo 2
10-12	Gobo 3
13-15	Gobo 4
16-18	Gobo 5
19-21	Gobo 6
22-24	Gobo 7
25-27	Gobo 8
28-30	Gobo 9
31-33	Gobo 10
34-36	Gobo 11
37-39	Gobo 12
40-42	Gobo 13
43-45	Gobo 14
46-48	Gobo 15
49-51	Gobo 16
52-55	Gobo 17
56-59	Open / White
60-63	Gobo Shake 1 from slow to fast
64-67	Gobo Shake 2 from slow to fast
68-71	Gobo Shake 3 from slow to fast
72-75	Gobo Shake 4 from slow to fast
76-79	Gobo Shake 5 from slow to fast
80-83	Gobo Shake 6 from slow to fast
84-87	Gobo Shake 7 from slow to fast
88-91	Gobo Shake 8 from slow to fast
92-95	Gobo Shake 9 from slow to fast
96-99	Gobo Shake 10 from slow to fast
100-103	Gobo Shake 11 from slow to fast
104-107	Gobo Shake 12 from slow to fast
108-111	Gobo Shake 13 from slow to fast



112-115	Gobo Shake 14 from slow to fast
116-119	Gobo Shake 15 from slow to fast
120-123	Gobo Shake 16 from slow to fast
124-127	Gobo Shake 17 from slow to fast
128-189	Counterclockwise rotation (CCW) rainbow effect from fast to slow
190-193	Open
194-255	Clockwise rotation (CW) rainbow effect from slow to fast

Channel 11 – Prism 1

0-4	Open
5-255	5-facet Prism Effect

Channel 12 – Prism 1 rotation

0-127	Prism-indexing
128-189	Counterclockwise rotation (CCW) from fast to slow
190-193	Stop
194-255	Clockwise rotation (CW) from slow to fast

Channel 13 – Prism 2

0-4	Open
5-255	8-facet Prism Effect

Channel 14 – Prism 2 rotation

0-127	Prism-indexing
128-189	Counterclockwise rotation (CCW) from fast to slow
190-193	Stop
194-255	Clockwise rotation (CW) from slow to fast

Channel 15 – Prism Fine 16-bit

0-255	Prism-indexing fine
-------	---------------------

Channel 16 – Focus

0-255	Continuous adjustment from far to near
-------	--

Channel 17 – Channel Functions

0-29	No Function
30-39	Regular Dim Mode
40-49	Linear Dim Mode
50-59	X/Y Fast Mode
60-69	X/Y Regular
70-79	Blackout during Pan/Tilt movement
80-89	Disable blackout during Pan/Tilt movement
90-99	Blackout during color wheel movement
100-109	Disable blackout during color wheel movement
110-119	Blackout during gobo wheel movement
120-129	Disable blackout during gobo wheel movement
130-139	Lamp on
140-149	Reset Pan/Tilt after 3 seconds
150-159	Reset Color wheel rotation after 3 seconds
160-169	Reset Gobo rotation after 3 seconds
170-179	Reset Shutter/Prism after 3 seconds
180-189	No Function
190-199	Reset Frost Effect / Focus
200-209	Reset all settings
210-219	Blackout during Pan/Tilt/color wheel/gobo wheel movement
220-229	Disable blackout during Pan/Tilt/color wheel/gobo wheel movement
230-239	Lamp off

240-247	XY Smoothing model open
248-255	XY Smoothing model to shut down

Channel 18 – Built-in Programs  **CH6 and CH8 must be open** 

0-7	No Function
8-15	Built-in Program 1
16-23	Built-in Program 2
24-31	Built-in Program 3
32-39	Built-in Program 4
40-47	Built-in Program 5
48-55	Built-in Program 6
56-63	Built-in Program 7
64-71	Built-in Program 8
72-79	Built-in Program 9
80-87	Built-in Program 10
88-95	Built-in Program 11
96-103	Built-in Program 12
104-111	Built-in Program 13
112-119	Built-in Program 14
120-127	Built-in Program 15
128-135	Built-in Program 16
136-143	Built-in Program 17
144-151	Built-in Program 18
152-159	Built-in Program 19
160-167	Built-in Program 20
168-175	Built-in Program 21
176-183	Built-in Program 22
184-191	Built-in Program 23
192-199	Built-in Program 24
200-207	Built-in Program 25
208-215	Built-in Program 26
216-223	Built-in Program 27
224-231	Built-in Program 28
232-239	Built-in Program 29
240-247	Built-in Program 30
248-255	Built-in Program 31

Channel 19 – Built-in Speed; Use in combination with CH18

0-255	From fast to slow
-------	-------------------

15 Channels (Basic)

Channel 1 – Horizontal movement (Pan)

Push the slider up, in order to move head horizontally (PAN).
 Gradual head adjustment from one end of the slider to the other (0-255, 128-center).
 The head can be turned by 540° and stopped at any position you wish.

Channel 2 – Vertical movement (Tilt)

Push the slider, up in order to move head vertically (TILT).
 Gradual head adjustment from one end of the slider to the other (0-255, 128-center).
 The head can be turned by 270° and stopped at any position you wish.

Channel 3 – Pan fine 16 bit

Channel 4 – Tilt fine 16 bit

Channel 5 – PAN/TILT Speed

0-255 From Max Speed (0) to Min. Speed (255)

Channel 6 – Dimmer intensity ⚠️ **CH7 must be open** ⚠️
 0-255 From black to brightest

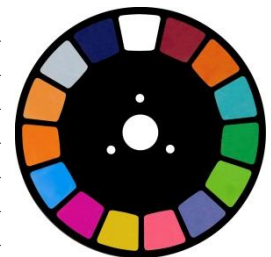
Channel 7 – Shutter / Strobe ⚠️ **CH6 must be open** ⚠️
 0-7 Close

8-15	Shutter open
16-131	Strobe effect, from slow to fast (0-10 flashes/sec.)
132-167	Fast close/shutter and slow opening, from slow to fast (0-10 flashes/sec.)
168-203	Slow close/shutter and fast opening, from slow to fast (0-10 flashes/sec.)
204-239	Pulse strobe effect, from slow to fast (0-10 flashes/sec.)
240-247	Random strobe effect, from slow to fast (0-10 flashes/sec.)
248-255	Shutter open

Channel 8 – Color wheel

Linear color change following the movement of the slider. Between 128-189 and 194-255, the color wheel rotates continuously the so-called "Rainbow" effect.

0-4	Open / White
5-8	Red
9-12	Deep Yellow/Orange
13-16	Turquoise
17-20	Green
21-24	Light Green/Yellow
25-28	Light Blue/Purple
29-32	Rose Red
33-36	Light Yellow
37-40	Pink
41-44	Blue
45-48	Warm White
49-52	½ CTO
53-56	Cool White
57-60	UV
61-127	Split Color
128-189	Clockwise rotation (CW) rainbow effect from fast to slow
190-193	Stop
194-255	Counterclockwise rotation (CCW) rainbow effect from slow to fast



Channel 9 – Static gobo wheel + Gobo Shake

0-3	Open / White
4-6	Gobo 1
7-9	Gobo 2
10-12	Gobo 3
13-15	Gobo 4
16-18	Gobo 5
19-21	Gobo 6
22-24	Gobo 7
25-27	Gobo 8
28-30	Gobo 9
31-33	Gobo 10
34-36	Gobo 11
37-39	Gobo 12
40-42	Gobo 13
43-45	Gobo 14
46-48	Gobo 15
49-51	Gobo 16
52-55	Gobo 17
56-59	Open / White
60-63	Gobo Shake 1 from slow to fast
64-67	Gobo Shake 2 from slow to fast
68-71	Gobo Shake 3 from slow to fast
72-75	Gobo Shake 4 from slow to fast
76-79	Gobo Shake 5 from slow to fast
80-83	Gobo Shake 6 from slow to fast
84-87	Gobo Shake 7 from slow to fast
88-91	Gobo Shake 8 from slow to fast
92-95	Gobo Shake 9 from slow to fast
96-99	Gobo Shake 10 from slow to fast
100-103	Gobo Shake 11 from slow to fast
104-107	Gobo Shake 12 from slow to fast
108-111	Gobo Shake 13 from slow to fast
112-115	Gobo Shake 14 from slow to fast
116-119	Gobo Shake 15 from slow to fast
120-123	Gobo Shake 16 from slow to fast
124-127	Gobo Shake 17 from slow to fast
128-189	Counterclockwise rotation (CCW) rainbow effect from fast to slow
190-193	Open
194-255	Clockwise rotation (CW) rainbow effect from slow to fast



Channel 10 – Prism 1

0-4	Open
5-255	5-facet Prism Effect

Channel 11 – Prism 1 rotation

0-127	Prism-indexing
128-189	Counterclockwise rotation (CCW) from fast to slow
190-193	Stop
194-255	Clockwise rotation (CW) from slow to fast

Channel 12 – Prism 2

0-4	Open
5-255	8-facet Prism Effect

Channel 13 – Prism 2 rotation

0-127	Prism-indexing
128-189	Counterclockwise rotation (CCW) from fast to slow
190-193	Stop
194-255	Clockwise rotation (CW) from slow to fast

Channel 14 – Focus

0-255	Continuous adjustment from far to near
-------	--

Channel 15 – Channel Functions

0-29	No Function
30-39	Regular Dim Mode
40-49	Linear Dim Mode
50-59	X/Y Fast Mode
60-69	X/Y Regular
70-79	Blackout during Pan/Tilt movement
80-89	Disable blackout during Pan/Tilt movement
90-99	Blackout during color wheel movement
100-109	Disable blackout during color wheel movement
110-119	Blackout during gobo wheel movement
120-129	Disable blackout during gobo wheel movement
130-139	Lamp on
140-149	Reset Pan/Tilt after 3 seconds
150-159	Reset Color wheel rotation after 3 seconds
160-169	Reset Gobo rotation after 3 seconds
170-179	Reset Shutter/Prism after 3 seconds
180-189	No Function
190-199	Reset Frost Effect / Focus
200-209	Reset all settings
210-219	Blackout during Pan/Tilt/color wheel/gobo wheel movement
220-229	Disable blackout during Pan/Tilt/color wheel/gobo wheel movement
230-239	Lamp off
240-247	XY Smoothing model open
248-255	XY Smoothing model to shut down

Channel settings

41531 Infinity iB-2R Fixture-settings																																				
Channel	1	2	3	4	5	6	7	8	9	10	11	12	13	14	15	16	17	18	19																	
Function	Pan	Tilt	Pan-Fine	Tilt-Fine	Pan/Tilt Speed	Dimmer	Dimmer 16-bit	Shutter Strobe	Colorwheel	Static Gobowheel	Prism 1	Prism 1 Rotation	Prism 2	Prism 2 Rotation	Prism 2 16-bit	Focus	Functions	Built-in Programs	Program Speed																	
255	255	255	255	255	255 Slow	255	255	255	1-10: 255 11-15: 255 16-20: 255 21-25: 255 26-30: 255 31-35: 255 36-40: 255 41-45: 255 46-50: 255 51-55: 255 56-60: 255 61-65: 255 66-70: 255 71-75: 255 76-80: 255 81-85: 255 86-90: 255 91-95: 255 96-100: 255 101-105: 255 106-110: 255 111-115: 255 116-120: 255 121-125: 255 126-130: 255 131-135: 255 136-140: 255 141-145: 255 146-150: 255 151-155: 255 156-160: 255 161-165: 255 166-170: 255 171-175: 255 176-180: 255 181-185: 255 186-190: 255 191-195: 255 196-200: 255 201-205: 255 206-210: 255 211-215: 255 216-220: 255 221-225: 255 226-230: 255 231-235: 255 236-240: 255 241-245: 255 246-250: 255 251-255: 255	255	255	255	255 Slow	255	255	255	1-10: 255 11-15: 255 16-20: 255 21-25: 255 26-30: 255 31-35: 255 36-40: 255 41-45: 255 46-50: 255 51-55: 255 56-60: 255 61-65: 255 66-70: 255 71-75: 255 76-80: 255 81-85: 255 86-90: 255 91-95: 255 96-100: 255 101-105: 255 106-110: 255 111-115: 255 116-120: 255 121-125: 255 126-130: 255 131-135: 255 136-140: 255 141-145: 255 146-150: 255 151-155: 255 156-160: 255 161-165: 255 166-170: 255 171-175: 255 176-180: 255 181-185: 255 186-190: 255 191-195: 255 196-200: 255 201-205: 255 206-210: 255 211-215: 255 216-220: 255 221-225: 255 226-230: 255 231-235: 255 236-240: 255 241-245: 255 246-250: 255 251-255: 255	255	255	255	255	255	255	255	255	255	255	255	255	255	255	255	255	255	255	255

Fig. 05

Maintenance

The Infinity iB-2R requires almost no maintenance. However, you should keep the unit clean. Otherwise, the fixture's light output will be significantly reduced. Disconnect the mains power supply and then wipe the cover with a damp cloth. Wipe the front glass panel clean with glass cleaner and a soft cloth. Do not use alcohol or solvents. The front glass panel will require weekly cleaning, as smoke-fluid tends to build up residues, reducing the light output very quickly. Do not immerse in liquid. The cooling fans, color wheel, the gobo wheel, the gobos and the internal lenses should be cleaned monthly with a soft brush. Please clean internal components once a year with a light brush and vacuum cleaner. Keep connections clean. Disconnect electric power, and then wipe the DMX and audio connections with a damp cloth. Make sure connections are thoroughly dry before linking equipment or supplying electric power.

The operator has to make sure that safety-related and machine-technical installations are to be inspected by an expert after every year in the course of an acceptance test. The operator has to make sure that safety-related and machine-technical installations are to be inspected by a skilled person once a year.

The following points have to be considered during the inspection:

- 01) All screws used for installing the device or parts of the device have to be tightly connected and must not be corroded.
- 02) There may not be any deformations on housings, fixations and installation spots.
- 03) Mechanically moving parts like axles, eyes and others may not show any traces of wearing.
- 04) The electric power supply cables must not show any damages or material fatigue.

Replacing a Fuse

Power surges, short-circuit or inappropriate electrical power supply may cause a fuse to burn out. If the fuse burns out, the product will not function whatsoever. If this happens, follow the directions below.

- 01) Unplug the unit from electric power source.
- 02) Insert a screwdriver into the slot in the fuse cover. Turn the screwdriver to the left, at the same time gently push a bit (Turn and Push). The fuse will come out.
- 03) Remove the used fuse. If brown or unclear, it is burned out.
- 04) Insert the replacement fuse into the holder where the old fuse was. Reinsert the fuse cover. Be sure to use a fuse of the same type and specification. See the product specification label for details.

Battery Replacement

(must be carried out by a qualified technician!)

- 01) Unplug the unit from the electric power source.
- 02) Remove the 6 screws on the front side of the Infinity.
- 03) Gently pull the front cover from the device.
- 04) Disconnect the plug from the PCB.
- 05) Remove the 2 screws holding the battery pack in place.
- 06) Replace the old battery pack with a new one.
- 07) Replace the maintenance cap and fasten all screws.

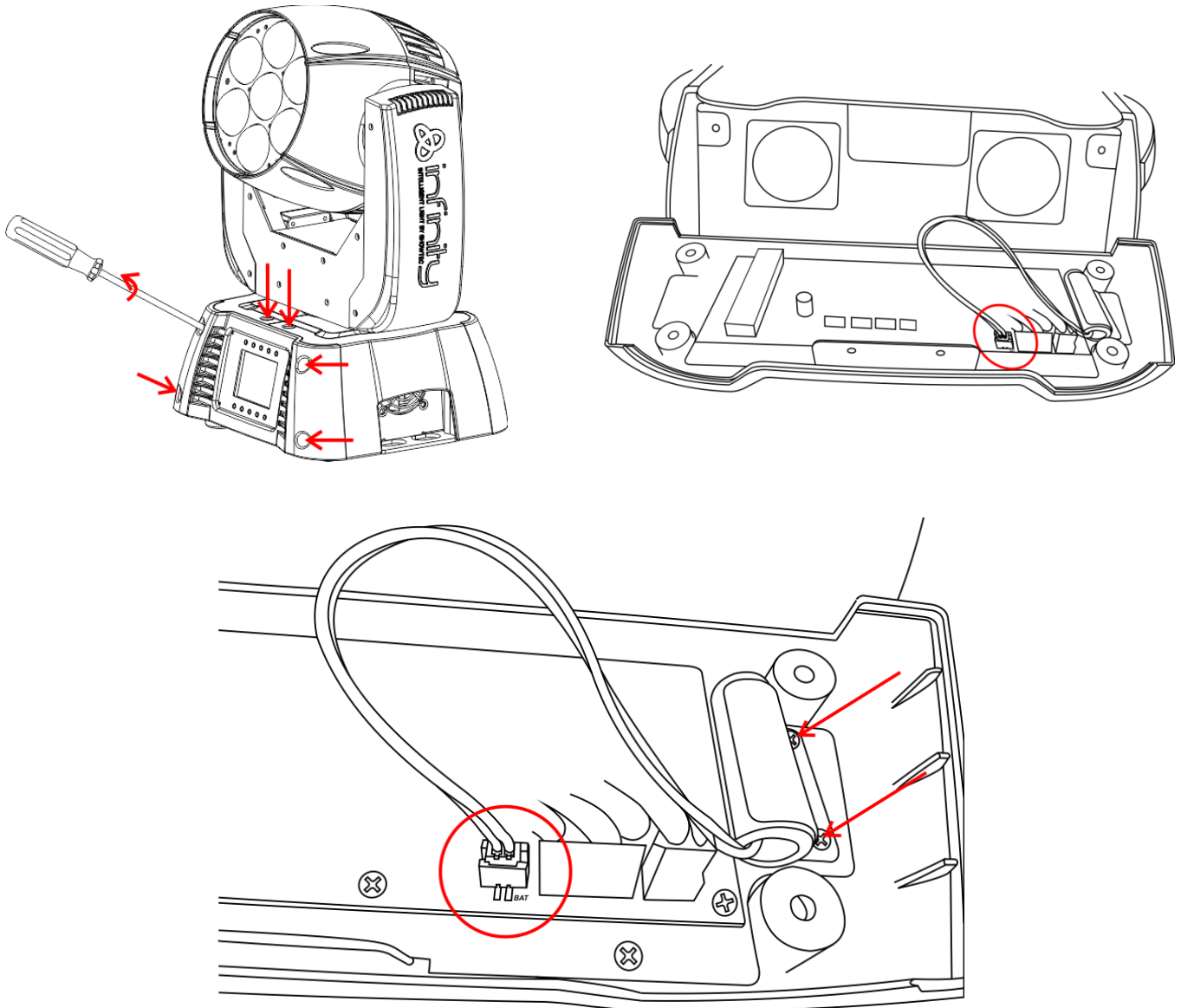


Fig. 06

Troubleshooting

No Light

This troubleshooting guide is meant to help solve simple problems.

If a problem occurs, carry out the steps below in sequence until a solution is found. Once the unit operates properly, do not carry out following steps.

If the light effect does not operate properly, refer servicing to a technician.

Suspect four potential problem areas as: factory reset, the power supply, the LEDs, the fuse.

- 01) First try to reset the device to its original factory default settings (**3-Settings Menu** see page 16).
- 02) Power supply. Check that the unit is plugged into an appropriate power supply.
- 03) The LEDs. Return the Infinity to your Infinity dealer.
- 04) The fuse. Replace the fuse. See page 26 for replacing the fuse.
- 05) If all of the above appears to be O.K., plug the unit in again.
- 06) If you are unable to determine the cause of the problem, do not open the Infinity, as this may damage the unit and the warranty will become void.
- 07) Return the device to your Infinity dealer.

No Response to DMX

Suspect the DMX cable or connectors, a controller malfunction, a light effect DMX card malfunction.

- 01) Check the DMX setting. Make sure that DMX addresses are correct.
- 02) Check the DMX cable: Unplug the unit; change the DMX cable; then reconnect to electrical power. Try your DMX control again.
- 03) Determine whether the controller or light effect is at fault. Does the controller operate properly with other DMX products? If not, take the controller in for repair. If so, take the DMX cable and the light effect to a qualified technician.

See next page for more problem solving.

Problem	Probable cause(s)	Remedy
One or more fixtures do not function at all.	No power to the fixture.	<ul style="list-style-type: none"> • Check that power is switched on and cables are plugged in.
	Primary fuse blown.	<ul style="list-style-type: none"> • Replace fuse.
Fixtures reset correctly, but all respond erratically or not at all to the controller.	The controller is not connected.	<ul style="list-style-type: none"> • Connect controller.
	3-pin XLR Out of the controller does not match XLR Out of the first fixture on the link (i.e. signal is reversed).	<ul style="list-style-type: none"> • Install a phase reversing cable between the controller and the first fixture on the link.
Fixtures reset correctly, but some respond erratically or not at all to the controller.	Poor data quality	<ul style="list-style-type: none"> • Check data quality. If much lower than 100 percent, the problem may be a bad data link connection, poor quality or broken cables, missing termination plug, or a defective fixture disturbing the link.
	Bad data link connection	<ul style="list-style-type: none"> • Inspect connections and cables. Correct poor connections. Repair or replace damaged cables.
	Data link not terminated with 120 Ohm termination plug.	<ul style="list-style-type: none"> • Insert termination plug in output jack of the last fixture on the link.
	Incorrect addressing of the fixtures.	<ul style="list-style-type: none"> • Check address setting.
	One of the fixtures is defective and disturbs data transmission on the link.	<ul style="list-style-type: none"> • Bypass one fixture at a time until normal operation is regained: unplug both connectors and connect them directly together. • Have the defective fixture serviced by a qualified technician.
	3-pin XLR Out on the fixtures does not match (pins 2 and 3 reversed).	<ul style="list-style-type: none"> • Install a phase-reversing cable between the fixtures or swap pin 2 and 3 in the fixture, that behaves erratically.
Shutter closes suddenly	The color wheel, gobo wheel or a gobo has lost its index position and the fixture is resetting the effect.	<ul style="list-style-type: none"> • Contact a technician for servicing the problem persists.
No light or LEDs cut out intermittently	Fixture is too hot.	<ul style="list-style-type: none"> • Allow fixture to cool. • Clean fan. • Make sure air vents and front lens are not blocked. • Turn up the air conditioning .
	LEDs damaged	<ul style="list-style-type: none"> • Disconnect fixture and return to your dealer.
	The power supply settings do not match local AC voltage and frequency.	<ul style="list-style-type: none"> • Disconnect fixture. Check settings and correct if necessary.

Product Specification

Model:	Infinity iB-2R
Input Voltage:	100-240 VAC
Continuous Power:	265W max. at full output
Fuse:	F5A / 250V
Dimensions:	303 x 366 x 475 mm (LxWxH)
Weight:	17,78 kg
Operation and Programming	
Signal pin OUT:	pin 1 earth, pin 2 (-), pin 3 (+)
Set Up and Addressing:	LED control panel
Pan/Tilt resolution:	8-16 bit
DMX Channels:	15, 19 channels
Signal input:	3-pin and 5-pin XLR male
Signal output:	3-pin and 5-pin XLR female
Electro-mechanical effects	
Onboard: Battery powered full color display including gravity sensor	
Beam effect	
High torque motors	
Ultra-fast movements	
Onboard: 16x2 character display	
DMX control via standard DMX-controller	
User-selectable Pan & Tilt ranges, 540° / 360° / 180° / 90°	
Reverse Pan / Tilt movement	
Special: Pan / Tilt movement, Color, Gobo blackout	
Pan 0° -- 540°, Tilt 0° -- 270°	
Pan/Tilt resolution: 16 bit	
Control: DMX-512, Built-in programs	
10 Built-in programs selectable by DMX	
Gobo wheel: Static gobo wheel with 17 metal gobos and open	
Gobo functions: Gobo-flow effect, Gobo shake	
Color wheel: 14 dichroic-filters and white	
Color functions: Split colors, Rainbow-flow effect	
Rotation: Bi-directional	
Prism wheel 1+2: 5-facet and 8-facet prism	
Frost filter: Yes	
Color temp.: 9200K	
Light source: Osram Sirius HRI 132W included; Lamp socket: E19	
Beam angle: 3° electronic adjustment	
Dimmer: 0-100%, mechanical	
Strobe: 0-20Hz	
Focus: Motorized focus	
Housing: Black metal & flame-retardant plastic	
Neutrik Powercon IN	
Gobos	
Color wheel:	heat-resistant and intensify glass; dichroic glass coating
Max. ambient temperature t_a :	40°C; Max. housing temperature t_B : 80°C
Motor:	high quality stepping-motor controlled by microprocessors
Minimum distance:	
Minimum distance from flammable surfaces:	0.5m
Minimum distance to lighted object:	6.5m

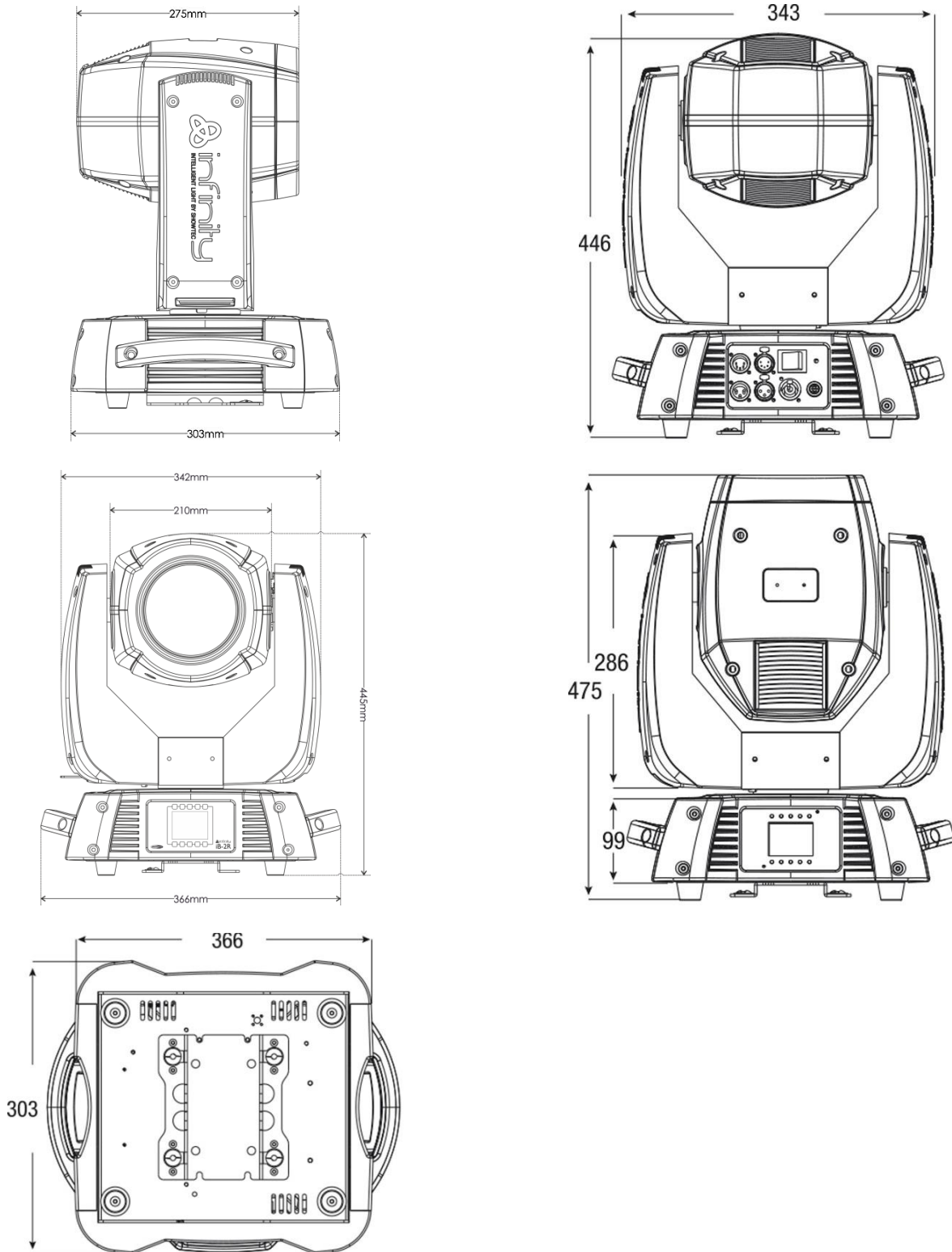
Design and product specifications are subject to change without prior notice.



Website: www.highlite.nl

Email: service@highlite.nl

Dimensions





©2016 Infinity