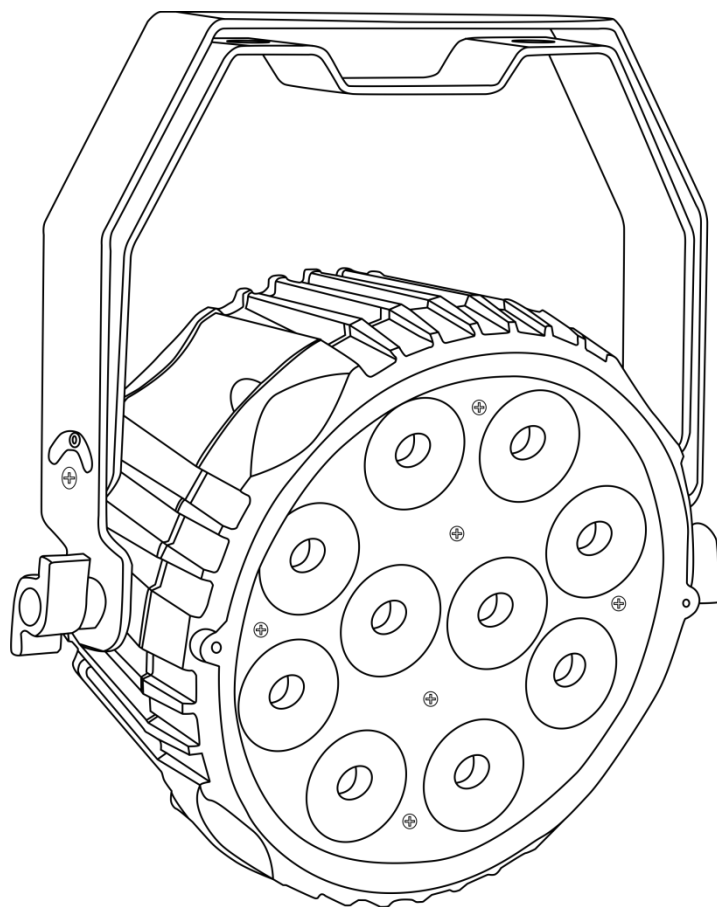




MANUAL



ENGLISH

Powerspot 10 SW White V1

Ordercode: 42578

Table of contents

Warning2
Safety Instructions2
Operating Determinations4
Rigging4
Connection with the mains.....5
Return Procedure6
Claims.....6

Description of the device.....7
Frontside.....7
Backside8

Installation.....8

Set Up and Operation8
Control Modes9
One Powerspot 10 SW (Auto Run Mode, Built-in programs and Static Color Mode)9
One Powerspot 10 SW (Sound-controlled)9
Multiple Powerspots 10 SW (Master/Slave control)9
Multiple Powerspots 10 SW (DMX Control)10
Fixture Linking11
Data Cabling11
Control Panel12
Control Mode12
DMX Addressing12
Menu Overview13
Main Menu Options14
Auto Run Mode14
Built-in Programs14
Static Color control.....15
Sound control mode15
DMX Addressing/ DMX configuration15
Slave Mode15
Settings.....16
Info16
DMX Channels17
3 channels17
6 channels17
7 channels17

Maintenance19

Troubleshooting19
No Light19
No Response to DMX.....19

Product Specifications21

Dimensions.....22

Warning



**For your own safety, please read this user manual carefully
before your initial start-up!**

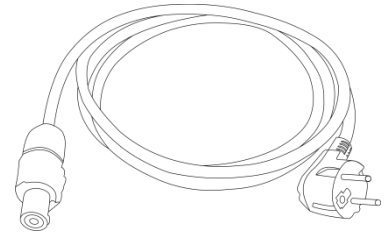
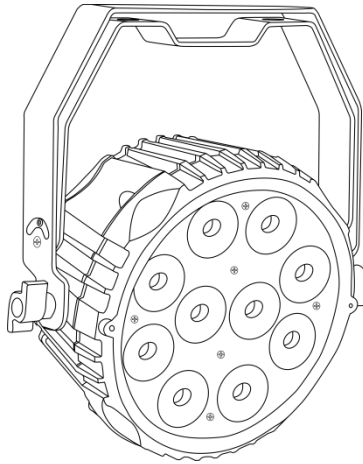


Unpacking Instructions

Immediately upon receiving this product, carefully unpack the carton and check the contents to ensure that all parts are present, and have been received in good condition. Notify the dealer immediately and retain packing material for inspection if any parts appear damaged from shipping or the carton itself shows signs of mishandling. Save the carton and all packing materials. In the event that a fixture must be returned to the factory, it is important that the fixture be returned in the original factory box and packing.

Your shipment includes:

- Showtec Powerspot 10 SW
- Pro Power cable (1,5 m)
- User manual



LED Expected Lifespan

LEDs gradually decline in brightness over time. HEAT is the dominant factor that leads to the acceleration of this decline. Packaged in clusters, LEDs exhibit higher operating temperatures than in ideal or singular optimum conditions. For this reason, when all color LEDs are used at their fullest intensity, life of the LEDs is significantly reduced. If improving the lifespan is of higher priority, place care in providing for lower operational temperatures. This may include climatic-environmental and the reduction of overall projection intensity.



CAUTION!

**Keep this device away from rain and moisture!
Unplug mains lead before opening the housing!**



Safety Instructions

Every person involved with the installation, operation and maintenance of this device has to:

- be qualified
- follow the instructions of this manual



**CAUTION! Be careful with your operations.
With a dangerous voltage you can suffer
a dangerous electric shock when touching the wires!**



Before the initial start-up, please make sure that there is no damage caused by transportation. Should there be any, consult your dealer and do not use the device.

To maintain perfect condition and to ensure a safe operation, it is absolutely necessary for the user to follow the safety instructions and warning notes contained in this manual.

Please consider that damages caused by manual modifications to the device are not subject to warranty.

This device contains no user-serviceable parts. Refer servicing to qualified technicians only.

IMPORTANT:

The manufacturer will not accept liability for any resulting damages caused by the non-observance of this manual or any unauthorized modification to the device.

- Never let the power cord come into contact with other cables! Handle the power cord and all connections with the mains with particular caution!
- Never remove warning or informative labels from the unit.
- Never use anything to cover the ground contact.
- Never lift the fixture holding it by the projector-head, as the mechanics may be damaged. Always hold the fixture by the transport handles.
- Never place any material over the lens.
- Never look directly into the light source.
- Never leave any cables lying around.
- Never loosen the screws of the rotating gobo otherwise you risk opening of the ball bearing.
- Do not insert objects into air vents.
- Do not connect this device to a dimmerpack.
- Do not switch the device on and off in short intervals, as this will reduce the device's life.
- Do not touch the device's housing bare-handed during its operation (housing becomes very hot). Allow the fixture to cool for at least 5 minutes before handling.
- Do not shake the device. Avoid brute force when installing or operating the device.
- Only use the device indoors, avoid contact with water or other liquids.
- Only operate the fixture after having checked if the housing is firmly closed and all screws are tightly fastened.
- Only operate the device after having familiarized with its functions.
- Avoid flames and do not put close to flammable liquids or gases.
- Always keep the case closed while operating.
- Always allow a free air space of at least 50 cm around the unit for ventilation.
- Always disconnect power from the mains, when device is not used or before cleaning! Only handle the power cord holding it by the plug. Never pull out the plug by tugging the power cord.
- Make sure that the device is not exposed to extreme heat, moisture or dust.
- Make sure that the available voltage is not higher than stated on the rear panel.
- Make sure that the power cord is never crimped or damaged. Check the device and the power cord from time to time.
- If the lens is obviously damaged, it has to be replaced.
- If device was dropped or struck, disconnect mains power supply immediately. Have a qualified engineer inspect for safety before operating.
- If the device has been exposed to drastic temperature fluctuation (e.g. after transportation), do not switch it on immediately. The arising condensation water might damage your device. Leave the device switched off until it has reached room temperature.
- If your Showtec device fails to work properly, discontinue the use immediately. Pack the unit securely (preferably in the original packing material), and return it to your Showtec dealer for service.
- For adult use only. The fixture must be installed beyond the reach of children. Never leave the unit running unattended.
- Never attempt to bypass the thermostatic switch or fuses.
- For replacement use fuses of same type and rating only.

- The user is responsible for correct positioning and operating of the Powerspot 10 SW. The manufacturer will not accept liability for damages caused by the misuse or incorrect installation of this device.
- This device falls under protection class I. Therefore it is essential to connect the yellow/green conductor to earth.
- Repairs, servicing and electric connection must be carried out by a qualified technician.
- WARRANTY: Till one year after date of purchase.



Operating Determinations

- This device is not designed for permanent operation. Consistent operation breaks will ensure that the device will serve you for a long time without defects.
- The minimum distance between light output and the illuminated surface must be bigger than 1 meter.
- The maximum ambient temperature $t_a = 40^\circ\text{C}$ must never be exceeded.
- The relative humidity must not exceed 50 % with an ambient temperature of 40°C .
- If this device is operated in any other way than the one described in this manual, the product may suffer damages and the warranty becomes void.
- Any other operation may lead to dangers like short-circuit, burns, electric shock, crash, etc.

You endanger your own safety and the safety of others!

Rigging

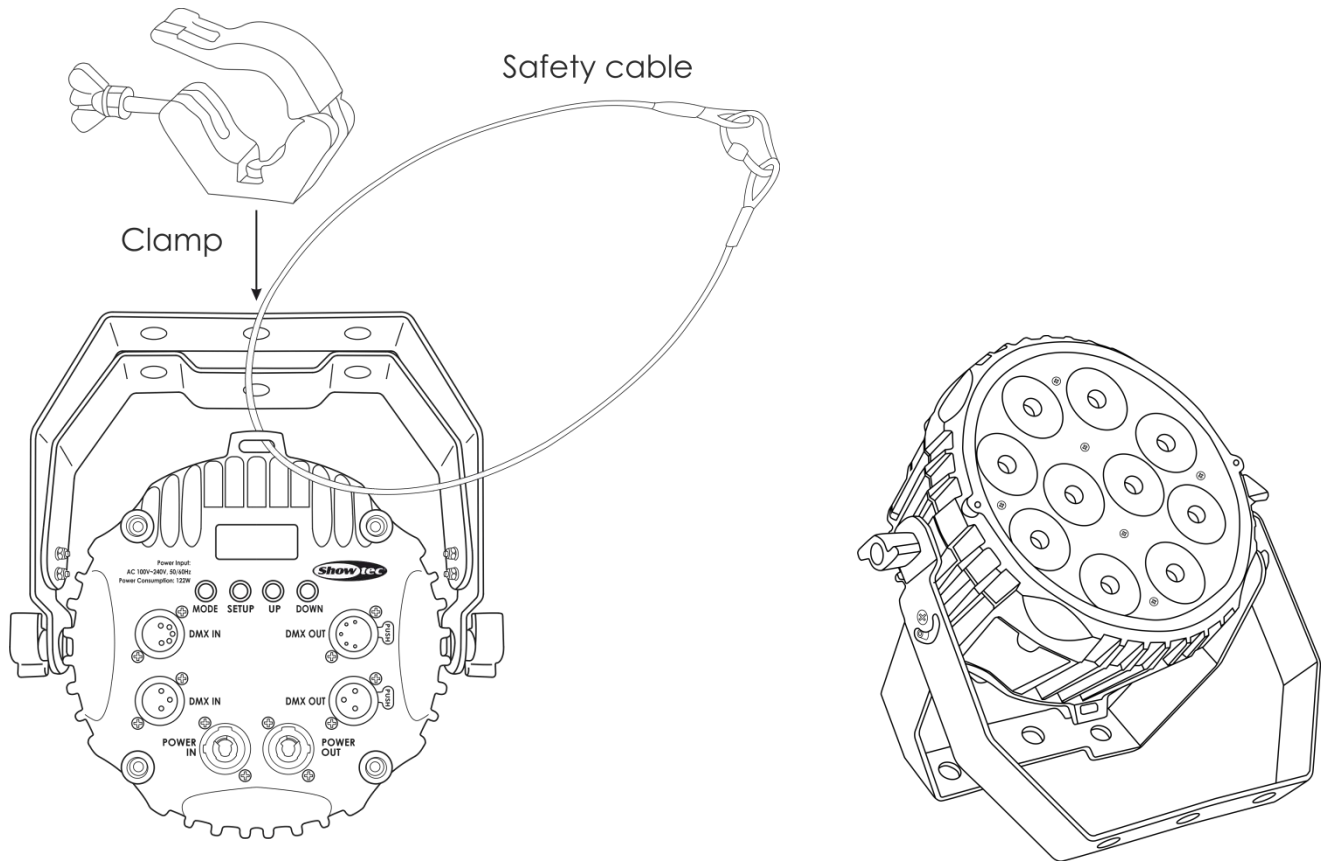
Please follow the European and national guidelines concerning rigging, trussing and all other safety issues.

Do not attempt the installation yourself !

Always let the installation be carried out by an authorized dealer !

Procedure:

- If the Powerspot is lowered from the ceiling or high joists, professional trussing systems have to be used.
- Use a clamp to mount the Powerspot, with the mounting bracket, to the trussing system.
- The Powerspot must never be fixed swinging freely in the room.
- The installation must always be secured with a safety attachment, e.g. an appropriate safety net or safety cable.
- When rigging, derigging or servicing the Powerspot, always make sure, that the area below the installation site is secured and that there are not any unauthorized people around.



The Powerspot 10 SW can be placed on a flat stage floor or mounted to any kind of truss with a clamp.

Improper installation can cause serious injuries and/or damage of property!

Connection with the mains

Connect the device to the mains with the power-plug.
Always check if the right color cable is connected to the right place.

International	EU Cable	UK Cable	US Cable	Pin
L	BROWN	RED	YELLOW/COPPER	PHASE
N	BLUE	BLACK	SILVER	NEUTRAL
	YELLOW/GREEN	GREEN	GREEN	PROTECTIVE GROUND

Make sure that the device is always properly connected to the earth!

Improper installation can cause serious injuries and/or damage of property!



 **Return Procedure** 

Returned merchandise must be sent prepaid and in the original packing, call tags will not be issued. Package must be clearly labeled with a Return Authorization Number (RMA number). Products returned without an RMA number will be refused. Highlite will not accept the returned goods or any responsibility. Call Highlite 0031-455667723 or mail aftersales@highlite.nl and request an RMA prior to shipping the fixture. Be prepared to provide the model number, serial number and a brief description of the cause for the return. Be sure to properly pack fixture, any shipping damage resulting from inadequate packaging is the customer's responsibility. Highlite reserves the right to use its own discretion to repair or replace product(s). As a suggestion, proper UPS packing or double-boxing is always a safe method to use.

Note: If you are given an RMA number, please include the following information on a piece of paper inside the box:

- 01) Your name
- 02) Your address
- 03) Your phone number
- 04) A brief description of the symptoms

Claims

The client has the obligation to check the delivered goods immediately upon delivery for any shortcomings and/or visible defects, or perform this check after our announcement that the goods are at their disposal. Damage incurred in shipping is the responsibility of the shipper; therefore the damage must be reported to the carrier upon receipt of merchandise.

It is the customer's responsibility to report and submit claims with the shipper in the event that a fixture is damaged due to shipping. Transportation damage has to be reported to us within one day after receipt of the delivery.

Any return shipment has to be made post-paid at all times. Return shipments must be accompanied with a letter defining the reason for return shipment. Non-prepaid return shipments will be refused, unless agreed otherwise in writing.

Complaints against us must be prepared in writing or sent by fax within 10 working days after receipt of the invoice. After this period complaints will not be handled anymore.

Complaints will only then be considered if the client has so far complied with all parts of the agreement, regardless of the agreement from which the obligation is resulting.

Description of the device

Features

The Powerspot 10SW brings the right white tone to your stage or venue. It is equipped with 10 pieces LED which are built out of cool white, warm white and amber in one single chip ensuring a perfect white balance. It is the ideal solution for small clubs and mobile DJs.

- Smart White color control
- Robust housing
- Double bracket
- Input voltage: 100-240V, 50/60Hz
- Power consumption: 56W
- DMX channels: 3, 6 or 7 channels
- LCD display for easy setup
- Light source: 10 x WW/CW/A High Power LEDs
- Lux @2m: 4420 (Full output)
- Control modes: Built-in Programs, Auto, Sound, Static dimmer, Master/Slave, DMX
- Control protocol: DMX-512
- Dimmer: 0-100%
- Strobe: 0-20Hz
- Beam Angle: 18°
- Protection rate: IP-20
- Housing: White aluminum
- Cooling: Convection
- Connections: Pro Power connectors (power in / power out), 3-pin XLR IN & OUT, 5-pin XLR IN & OUT
- Dimensions: 265 x 113 x 295 mm (LxWxH)
- Weight: 2,8 kg

Frontside

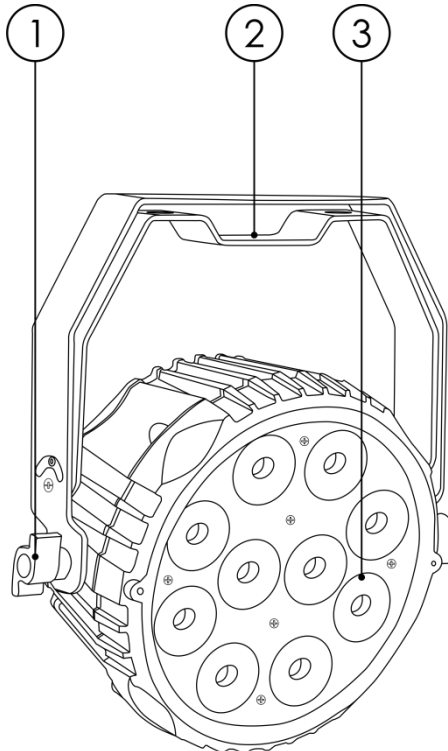


Fig. 01

- 01) Adjustment screw
- 02) Double mounting bracket
- 03) 10 x WW/CW/A High Power LEDs

Backside

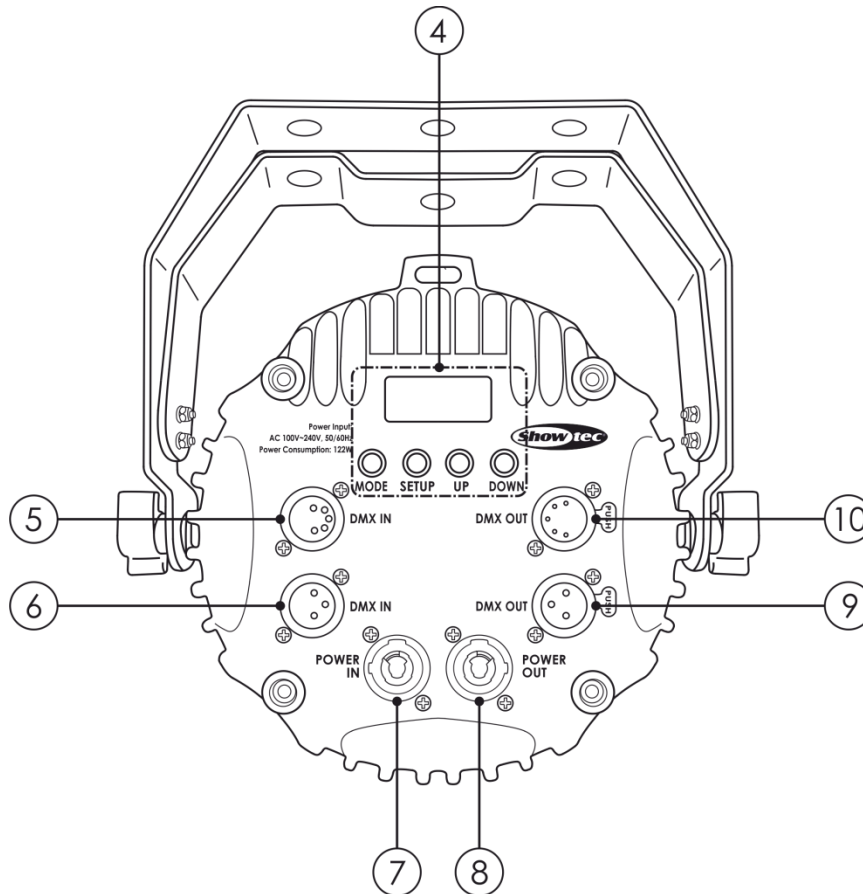


Fig. 02

- 04) LCD display + control buttons
- 05) 5-pin DMX signal connector IN
- 06) 3-pin DMX signal connector IN
- 07) Blue Pro Power connector 100-240V IN
- 08) White Pro Power connector 100-240V OUT
- 09) 3-pin DMX signal connector OUT
- 10) 5-pin DMX signal connector OUT

Installation

Remove all packing materials from the Powerspot 10 SW. Check if all foam and plastic padding is removed. Connect all cables.

Do not supply power before the whole system is set up and connected properly.

Always disconnect from electric mains power supply before cleaning or servicing.

Damages caused by non-observance are not subject to warranty.

Set Up and Operation

Follow the directions below, as they pertain to your preferred operation mode.

Before plugging the unit in, always make sure that the power supply matches the product specification voltage. Do not attempt to operate a 120V specification product on 230V power, or vice versa.

Connect the device to the main power supply.

Control Modes

There are 6 modes:

- Auto run
- Built-in programs
- Static Color (dimmer)
- Sound-controlled
- Master/slave
- DMX-512 (3CH, 6CH or 7CH)

One Powerspot 10 SW (Auto Run Mode, Built-in programs and Static Color Mode)

- 01) Fasten the effect light to a firm trussing. Leave at least 0,5 meter on all sides for air circulation.
- 02) Plug the end of the electric mains power cord into a proper electric power supply socket.
- 03) When the Powerspot 10 SW is not connected with a DMX cable, it functions as a stand-alone device. Please see pages 14 and 15 for more information about Auto Run Mode, the Built-in programs and Static Color Mode.

One Powerspot 10 SW (Sound-controlled)

- 01) Fasten the effect light to a firm trussing. Leave at least 0,5 meter on all sides for air circulation.
- 02) Plug the end of the electric mains power cord into a proper electric power supply socket.
- 03) Turn on the music. If the device is set to sound-control, then the Powerspot will react to the beat of the music. Please see page 15 for more information about the sound-control options.

Multiple Powerspots 10 SW (Master/Slave control)

- 01) Fasten the effect light onto firm trussing. Leave at least 0,5 meter on all sides for air circulation.
- 02) Always use a safety cable (ordercode 70140 / 70141).
- 03) Use a 3-p XLR cable to connect the Powerspots and other devices.

The pins:



1. Earth
2. Signal (-)
3. Signal (+)

- 04) Link the units as shown in Fig. 03, connect a DMX signal cable from the first unit's DMX "out" socket to the second unit's "in" socket. Repeat this process to link the second, third, and fourth units. You can use the same functions on the master device as described on pages 14 and 15 (Auto run, Built-in Programs, Static color). This means you can set your desired operation mode on the master device and all slave devices will react the same as the master device.

Multiple Powerspots 10 SW (Master/Slave control)

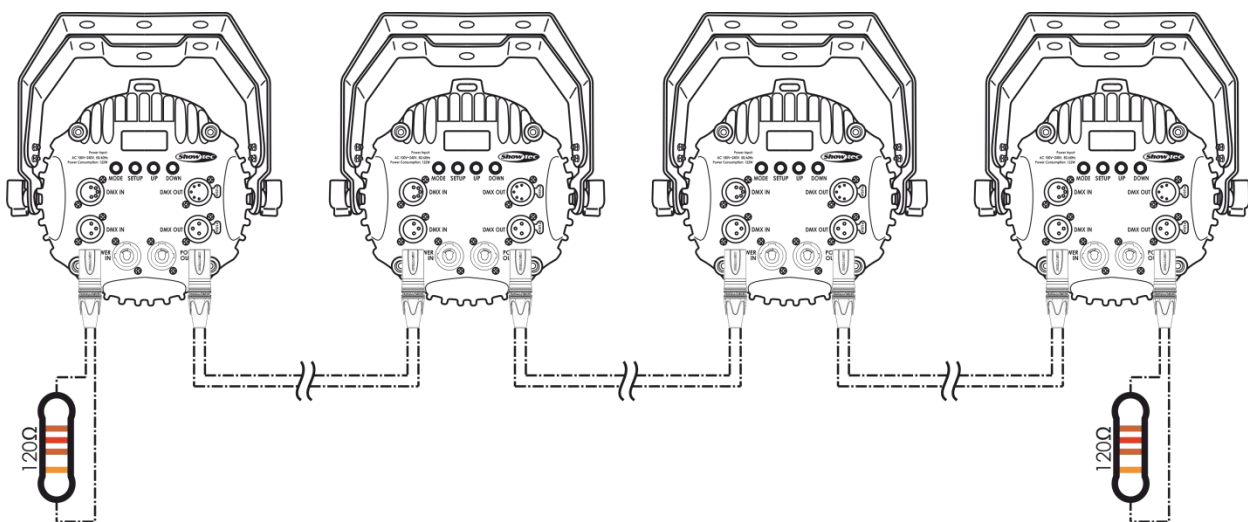
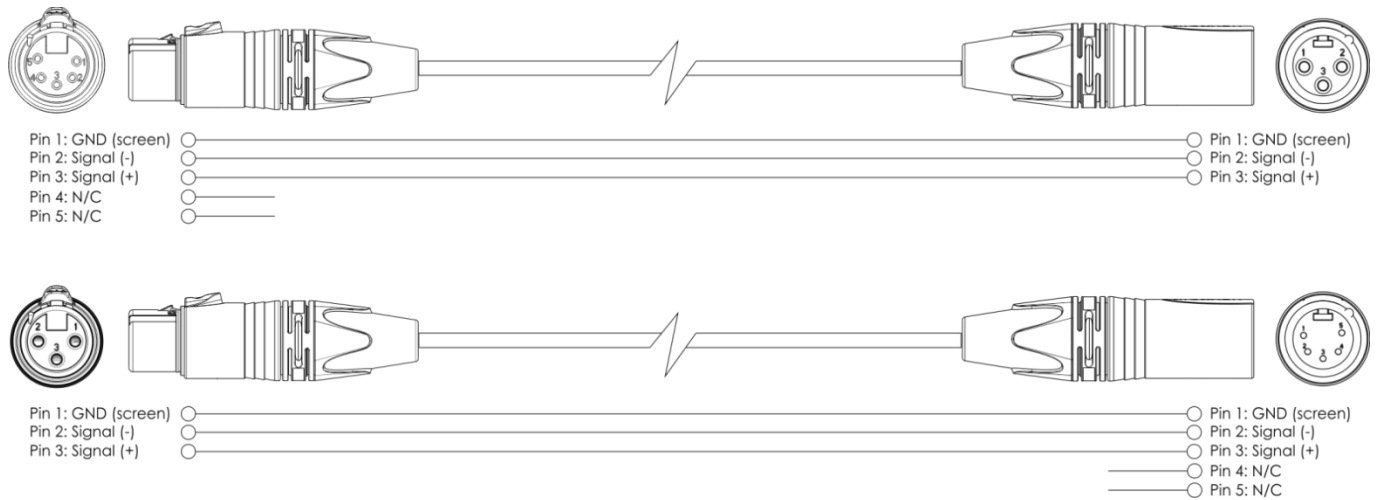


Fig. 03

Multiple Powerspots 10 SW (DMX Control)

- 01) Fasten the effect light to a firm trussing. Leave at least 0,5 meter on all sides for air circulation.
- 02) Always use a safety cable (ordercode 70140 / 70141).
- 03) Use a 3-pin XLR cable to connect the Powerspots and other devices.



- 04) Link the units as shown in Fig. 04. Connect the first unit's DMX "out" socket with the second unit's "in" socket, using a DMX-signal cable. Repeat this process to link the second, third, and fourth units.
- 05) Supply electric power: Plug electric mains power cords into each unit's Pro Powercon socket, then plug the other end of the mains power cord into proper electric power supply sockets, starting with the first unit. Do not supply power before the whole system is set up and connected properly.

Multiple Powerspots 10 SW DMX Set Up

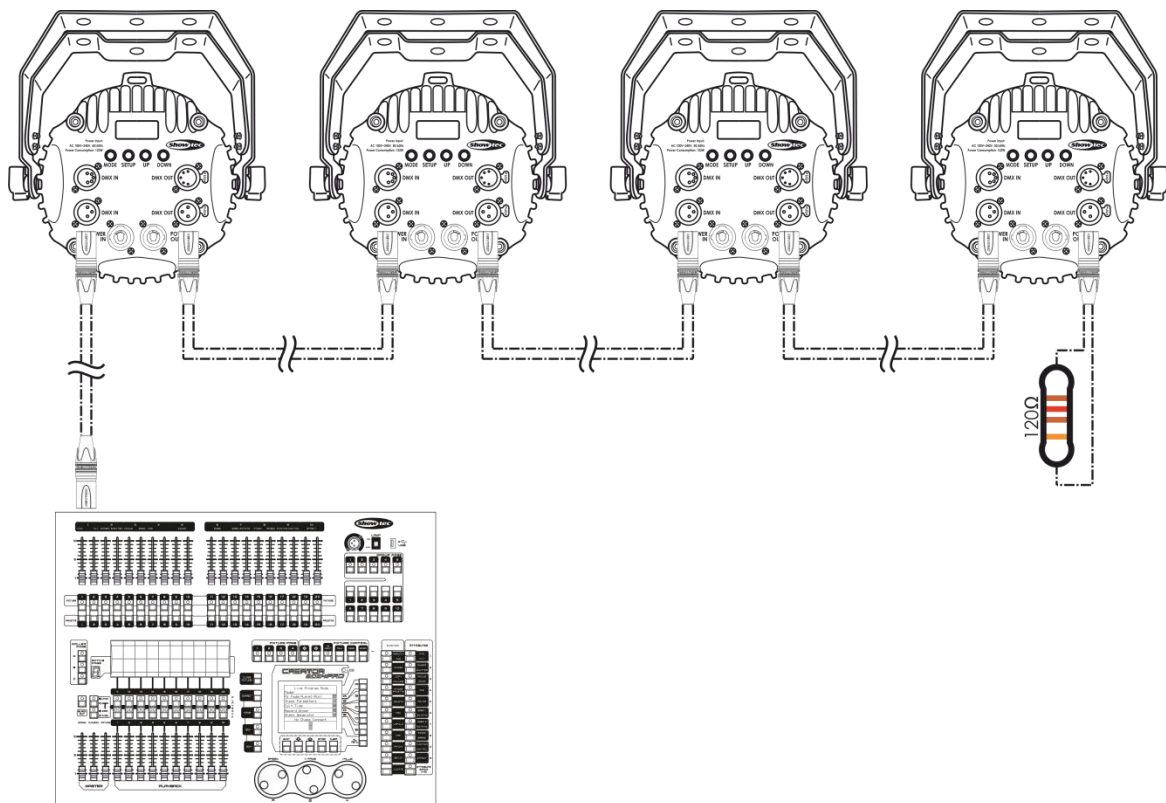



Fig. 04

Note : Link all cables before connecting electric power

Fixture Linking

You will need a serial data link to run light shows of one or more fixtures using a DMX-512 controller or to run synchronized shows of two or more fixtures set to a master/slave operating mode. The combined number of channels required by all the fixtures on a serial data link determines the number of fixtures the data link can support.

Important: Fixtures on a serial data link must be daisy-chained in a single line. To comply with the EIA-485 standard, no more than 30 devices should be connected on one data link. Connecting more than 30 fixtures on one serial data link without the use of a DMX optically isolated splitter may result in deterioration of the digital DMX signal.

 Maximum recommended DMX data link distance: 100 meters
Maximum recommended number of fixtures on a DMX data link: 30 fixtures
Maximum recommended number of fixtures on a power link: 8 @ 110V
Maximum recommended number of fixtures on a power link: 16 @ 240V

Data Cabling

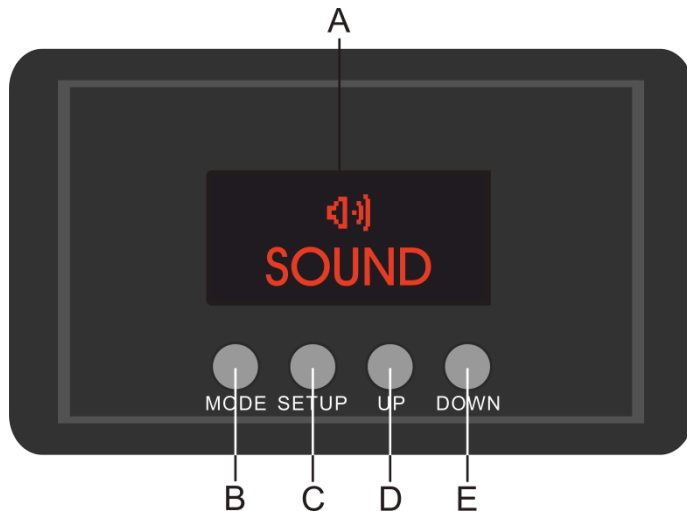
To link fixtures together, you must obtain data cables. You can purchase DAP Audio certified DMX cables directly from a dealer/distributor or construct your own cable. If you choose to create your own cable, please use data-grade cables that can carry a high quality signal and are less prone to electromagnetic interference.

DAP Audio DMX Data Cables

- DAP Audio Basic microphone cable for allround use. bal. XLR/M 3-pin > XLR/F 3-pin. **Ordercode** FL01150 (1,5 m), FL013 (3 m), FL016 (6 m), FL0110 (10 m), FL0115 (15 m), FL0120 (20 m).
- DAP Audio X-type data cable XLR/M 3-pin > XLR/F 3-pin. **Ordercode** FLX0175 (0,75 m), FLX01150 (1,5 m), FLX013 (3 m), FLX016 (6 m), FLX0110 (10 m).
- DAP Audio cable for the demanding user with exceptional audio-qualities and connector made by Neutrik®. **Ordercode** FL71150 (1,5 m), FL713 (3 m), FL716 (6 m), FL7110 (10 m).
- DAP Audio cable for the demanding user with exceptional audio-qualities and connector made by Neutrik®. **Ordercode** FL7275 (0,75 m), FL72150 (1,5 m), FL723 (3 m), FL726 (6 m), FL7210 (10 m).
- DAP Audio 110 Ohm cable with digital signal transmission. **Ordercode** FL0975 (0,75 m), FL09150 (1,5 m), FL093 (3 m), FL096 (6 m), FL0910 (10 m), FL0915 (15 m), FL0920 (20 m).
- DAP Audio DMX adapter: 3-pin/5-pin. **Ordercode** FLA30.

The Powerspot 10 SW can be operated with a controller in DMX mode or without the controller in stand-alone mode.

Control Panel



- A) LCD display
- B) MODE button
- C) SETUP button
- D) UP button
- E) DOWN button

Fig. 05

Control Mode

The fixtures are individually addressed on a data-link and connected to the controller.

The fixtures respond to the DMX signal from the controller. (When you select the DMX address and save it, the controller will display the saved DMX address, next time.)

DMX Addressing

The control panel on the back side of the device allows you to assign DMX fixture addresses, which is the first channel with which the Powerspot will respond to the controller.

Please note, when you use the controller, the unit has **7** channels.

When using multiple Powerspots, make sure you set the DMX addresses right.

Therefore, the DMX address of the first Powerspot should be **1(001)**; the DMX address of the second Powerspot should be **1+7=8 (008)**; the DMX address of the third Powerspot should be **8+7=15 (015)**, etc. Please, be sure that you do not have any overlapping channels in order to control each Powerspot correctly. If two or more Powerspots are addressed similarly, they will work similarly.

Controlling:

After having addressed all Powerspot fixtures, you may now start operating these via your lighting controller.

Note: After switching on, the Powerspot will automatically detect whether DMX 512 data is received or not. If there is no data received at the DMX-input, there will be no text "**DMX in**" on the control panel displayed.

If not, the problem may be:

- The XLR cable from the controller is not connected with the input of the Powerspot.
- The controller is switched off or defective, the cable or connector is defective, or the signal wires are swapped in the input connector.

Note: It is necessary to insert an XLR termination plug (with 120 Ohm) in the last fixture in order to ensure proper transmission on the DMX data link.

⚠ Display Off after 5-30 seconds ⚠

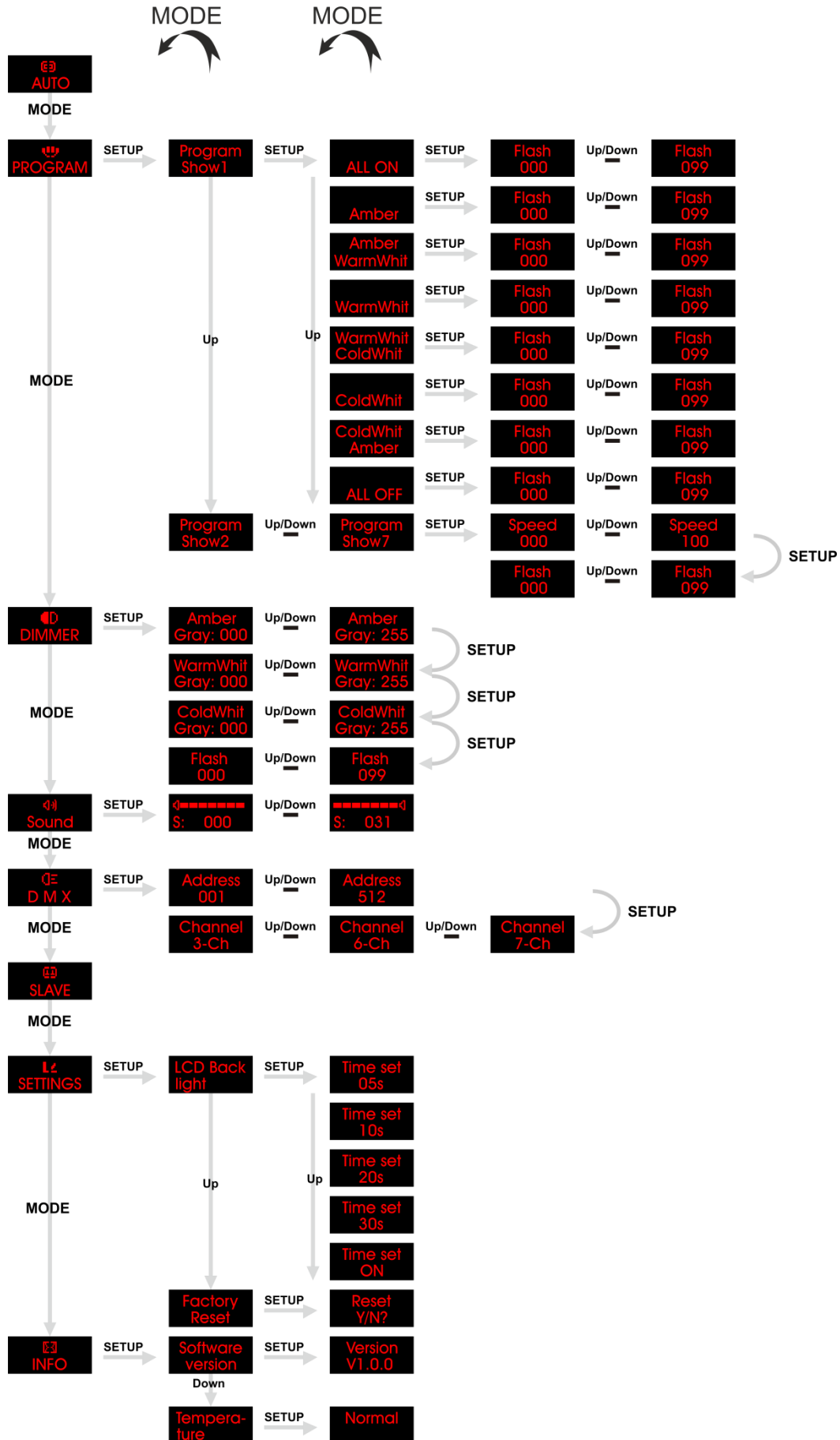
When no button is pressed for 05, 10, 20 or 30 seconds, the display will turn off.

You can set this time in the menu "Settings", see page 16.









To light up the display, you have to press the **MODE**, **SETUP**, **UP** or **DOWN** button.

Once you have pressed the button, the display will light up.

Menu Overview




Main Menu Options

-  AUTO Auto run
-  PROGRAM Built in programs
-  DIMMER Static Color Mode
-  Sound Sound-controlled Mode
-  DMX DMX address / DMX configuration
-  SLAVE Slave mode
-  SETTINGS Settings
-  INFO Info



Auto Run Mode

With this menu you can start the Auto Run program of the Powerspot 10 SW.



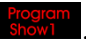





- 01) Press the **MODE** button until the display shows .
- 02) The Powerspot will start immediately the Auto Run program.

Built-in Programs

With this menu you can choose a built-in program.

- 01) Press the **MODE** button until the display shows .
- 02) Press the **SETUP** button to open this menu.
- 03) You can use the **UP/DOWN** buttons to scroll through the 8 built-in programs.
- 04) When you select menu , you can choose between a variety of color settings. Press **SETUP** to enter and choose one color setting with the **UP/DOWN** buttons.



- 05) Press the **SETUP** button again to open the next menu. You can set the Flash frequency with the **UP/DOWN** buttons between  .
- 06) Press the **MODE** button until the display shows .
- 07) Use the **UP/DOWN** buttons until the display shows . Use the **UP/DOWN** buttons to scroll between  . In the menu  , you can switch between the Flash frequency and the Program Running Speed by pressing the **SETUP** button.

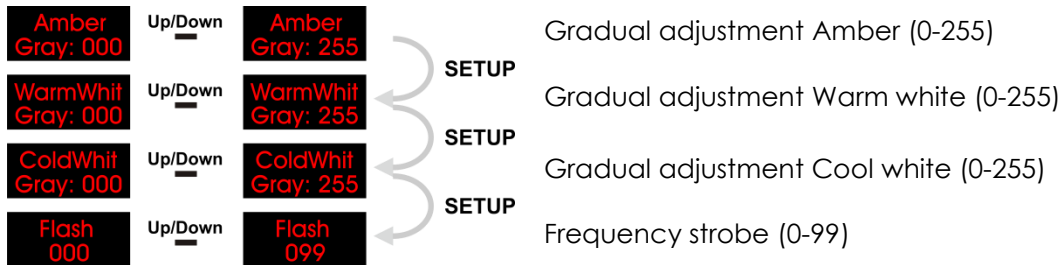
08) Use the **UP/DOWN** buttons to change the values.



Static Color control

With this menu you can manually set a desired color.

- 01) Press the **MODE** until the display shows DIMMER.
- 02) Press the **SETUP** button to open this menu.
- 03) You can use the **SETUP** button to scroll through 3 color options and also set the strobe frequency.
- 04) Use the **UP/DOWN** buttons to change the values.



You can combine Amber, Warm white and Cool white to create an infinite range of white colors.

Sound control mode

With this menu you can set the sensitivity of the sound mode.

- 01) Press the **MODE** button until the display shows Sound.
- 02) Press the **SETUP** button to open this menu.
- 03) Use the **UP/DOWN** buttons to change the values.
Set the sensitivity of the sound control mode between S: 000 and S: 031.
- 04) Turn on the music and the Powerspot 10 SW will react to the beat of the music

DMX Addressing/ DMX configuration

With this menu you can set the DMX address and choose a DMX configuration.

- 01) Press the **MODE** button until the display shows DMX.
- 02) Press the **SETUP** button to open this menu. You can choose 512 different DMX addresses.
- 03) Use the **UP/DOWN** buttons to select the required address from Address 001 and Address 512.
Once you have set the desired DMX address, you can also choose the desired DMX Mode.
- 04) Press the **SETUP** button again to choose one of the 3 different DMX Modes. Use the **UP/DOWN** buttons to select 3, 6 or 7 channels.




Slave Mode

With this menu you can set the device as a Slave.

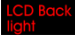
- 01) Press the **MODE** button until the display shows SLAVE.
If the device has not been set to slave, it is automatically classified as a master device. All slave devices will follow the master movement. If the device has been set to slave, it will react the same as its master device.

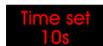
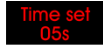
Settings



With this menu you can set various options.

- 01) Press the **MODE** button until the display shows .
- 02) Press the **SETUP** button to open this menu.




- 03) Use the **UP/DOWN** buttons to choose between the 2 options.
- 04) Press the **SETUP** button to open one of the 2 options.
- 05) With option  you can set the desired LCD backlight time.





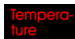

- 06) Choose with the **UP/DOWN** buttons the desired time or if you choose "ON", the display will continuously light up.
- 07) With option  you can reset the device to the factory settings.
- 08) Press the **SETUP** button to proceed .
- 09) Press **SETUP** again to confirm. The fixture will reset and start up in the Auto Run mode.

Info

With this menu you can see various info of the fixture.

- 01) Press the **MODE** button until the display shows .
- 02) Press the **SETUP** button to open this menu.



- 03) Use the **UP/DOWN** buttons to choose between the current software version and the current temperature.
- 04) Press the **SETUP** button to open one of the 2 options.
- 05) The option  is for showing the software version of the fixture.
- 06) Press the **SETUP** button and you can see the software version .
- 07) With the option  you can see if the temperature of the fixture is too high or not.
- 08) Press the **SETUP** button and the display will show  if the fixture has a normal temperature.
- 09) If the temperature of the fixture is too high (the fixture will give a warning error), you'll have to switch off the fixture.

DMX Channels**3 channels****Channel 1 – Amber Dimmer intensity**

0-255 Amber from 0-100%

Channel 2 – Warm White Dimmer intensity


0-255 Warm White from 0-100%

Channel 3 – Cool White Dimmer intensity

0-255 Cool White from 0-100%

6 channels**Channel 1 – Master Dimmer intensity**

0-255 From dark to brightest 0-100%

Channel 2 – Amber Dimmer intensity (CH1 must be set between 001-255 and CH5 between 0-9 )

0-255 Amber from 0-100%

Channel 3 – Warm White Dimmer intensity (CH1 must be set between 001-255 and CH5 between 0-9 )

0-255 Warm White from 0-100%

Channel 4 – Cool White Dimmer intensity (CH1 must be set between 001-255 and CH5 between 0-9 )

0-255 Cool White from 0-100%

Channel 5 – Dimming/Sound mode

0-9 Dimming mode

10-255 Sound mode

Channel 6 – Strobe (CH1 and CH2, CH3 or CH4 must be between 001-255 and CH5 between 0-9 )

0-9 No function

10-255 Strobe flash frequency, from slow to fast (0-20 Hz)

Channel 6 – Sound sensitivity (CH5 must be set between 10-255 )

0-255 Gradual adjustment Sensitivity, from 1-100%

7 channels**Channel 1 – Master Dimmer intensity**

0-255 From dark to brightest 0-100%

Channel 2 – Amber Dimmer intensity (CH1 must be set between 001-255 and CH5 between 0-24 )

0-255 Amber from 0-100%

Channel 3 – Warm White Dimmer intensity (CH1 must be set between 001-255 and CH5 between 0-24 )

0-255 Warm White from 0-100%

Channel 4 – Cool White Dimmer intensity (CH1 must be set between 001-255 and CH5 between 0-24)

0-255	Cool White from 0-100%
-------	------------------------

Channel 5 – Dimming/Program/Sound mode

0-24	Dimming mode
------	--------------

25-49	Auto run
-------	----------

50-74	Built-in program 1
-------	--------------------

75-99	Built-in program 2
-------	--------------------

100-124	Built-in program 3
---------	--------------------

125-149	Built-in program 4
---------	--------------------

150-174	Built-in program 5
---------	--------------------

175-199	Built-in program 6
---------	--------------------

200-255	Sound mode
---------	------------

Channel 6 – Built-in program speed (CH5 must be set between 50-199)

0-19	No function
------	-------------

20-255	Gradual speed adjustment, from slow to fast
--------	---

Channel 6 – Sound sensitivity (CH5 must be set between 200-255)

0-255	Gradual adjustment Sensitivity, from 1-100%
-------	---

Channel 7 – Strobe (CH1 and CH2, CH3 or CH4 must be set between 001-255)

0-9	No function
-----	-------------

10-255	Strobe flash frequency, from slow to fast (0-20 Hz)
--------	---

Maintenance

The operator has to make sure that safety-related and machine-technical installations are to be inspected by an expert after every year in the course of an acceptance test.

The operator has to make sure that safety-related and machine-technical installations are to be inspected by a skilled person once a year.

The following points have to be considered during the inspection:

- 01) All screws used for installing the device or parts of the device have to be tightly connected and must not be corroded.
- 02) There may not be any deformations on housings, fixations and installation spots.
- 03) Mechanically moving parts like axles, eyes and others may not show any traces of wearing.
- 04) The electric power supply cables must not show any damages or material fatigue.

The Powerspot 10 SW requires almost no maintenance. However, you should keep the unit clean.

Otherwise, the fixture's light-output will be significantly reduced. Disconnect the mains power supply, and then wipe the cover with a damp cloth. Do not immerse in liquid. Wipe lens clean with glass cleaner and a soft cloth. Do not use alcohol or solvents.

The front lens will require weekly cleaning, as smoke-fluid tends to build up residues, reducing the light-output very quickly.

Keep connections clean. Disconnect electric power, and then wipe the DMX and audio connections with a damp cloth. Make sure connections are thoroughly dry before linking equipment or supplying electric power.

Troubleshooting

This troubleshooting guide is meant to help solve simple problems.

If a problem occurs, carry out the steps below in sequence until a solution is found. Once the unit operates properly, do not carry out following steps.

No Light

If the light effect does not operate properly, refer servicing to a technician.

Suspect three potential problem areas as: the power supply, the LEDs, the internal fuse.

- 01) Power supply. Check that the unit is plugged into an appropriate power supply.
- 02) The LEDs. Return the Powerspot to your Showtec dealer.
- 03) The internal fuse. Return the Powerspot to your Showtec dealer.
- 04) If all of the above appears to be O.K., plug the unit in again.
- 05) If you are unable to determine the cause of the problem, do not open the Powerspot, as this may damage the unit and the warranty will become void.
- 06) Return the device to your Showtec dealer.

No Response to DMX

Suspect the DMX cable or connectors, a controller malfunction, a light effect DMX card malfunction.

- 01) Check the DMX setting. Make sure that DMX addresses are correct.
- 02) Check the DMX cable: Unplug the unit; change the DMX cable; then reconnect to electrical power. Try your DMX control again.
- 03) Determine whether the controller or light effect is at fault. Does the controller operate properly with other DMX products? If not, take the controller in for repair. If so, take the DMX cable and the light effect to a qualified technician.

Problem	Probable cause(s)	Solution
One or more fixtures do not function at all	No power to the fixture	<ul style="list-style-type: none"> Check if power is switched on and cables are plugged in
	Internal fuse blown	<ul style="list-style-type: none"> Return the Powerspot to your Showtec dealer
Fixtures reset correctly, but all respond erratically or not at all to the controller	The controller is not connected.	<ul style="list-style-type: none"> Connect controller.
	3-pin XLR Out of the controller does not match XLR Out of the first fixture on the link (i.e. signal is reversed)	<ul style="list-style-type: none"> Install a phase reversing cable between the controller and the first fixture on the link
Fixtures reset correctly, but some respond erratically or not at all to the controller	Poor data quality	<ul style="list-style-type: none"> Check data quality. If much lower than 100 percent, the problem may be a bad data link connection, poor quality or broken cables, missing termination plug, or a defective fixture disturbing the link
	Bad data link connection	<ul style="list-style-type: none"> Inspect connections and cables. Correct poor connections. Repair or replace damaged cables
	Data link not terminated with 120 Ohm termination plug	<ul style="list-style-type: none"> Insert termination plug in output jack of the last fixture on the link
	Incorrect addressing of the fixtures	<ul style="list-style-type: none"> Check address setting
	One of the fixtures is defective and disturbs data transmission on the link	<ul style="list-style-type: none"> Bypass one fixture at a time until normal operation is restored: unplug both connectors and connect them directly together. Have the defective fixture serviced by a qualified technician
	3-pin XLR Out on the fixtures does not match (pins 2 and 3 reversed)	<ul style="list-style-type: none"> Install a phase-reversing cable between the fixtures or swap pin 2 and 3 in the fixture that behaves erratically
No light or lamp cuts out intermittently	Fixture is too hot	<ul style="list-style-type: none"> Allow the fixture to cool down Clean the fan Make sure air vents in control panel and the front lens are not blocked Turn up the air conditioning
	LEDs damaged	<ul style="list-style-type: none"> Disconnect the fixture and return it to your dealer
	The power supply settings do not match local AC voltage and frequency	<ul style="list-style-type: none"> Disconnect fixture. Check settings and correct if necessary

Product Specifications

Model:	Showtec Powerspot 10 SW
Input Voltage:	100-240 VAC, 50/60Hz
Power consumption:	56W (full output)
DMX linking:	30 pcs
Power linking:	16 pcs
Protection rate:	IP-20
Dimensions:	265 x 113 x 295 mm (LxWxH)
Weight:	2,8 kg
Operating and Programming:	
Signal pin OUT:	Pin 1 (earth), pin 2 (-), pin 3 (+)
DMX Mode:	3, 6 or 7 channels
Signal input:	3-pin + 5-pin DMX IN
Signal output:	3-pin + 5-pin DMX OUT
Electro-mechanical effects:	
LED Quantity:	10 x WW/CW/A High Power LED
Lux @2m:	4420 Lux (Full output)
Beam angle:	18°
Dimmer:	0-100%
Strobe:	0-20Hz
Housing:	White aluminum
DMX-control:	via standard DMX-controller
On Board:	LCD display for easy setup
Control:	Built-in Programs, Auto, Sound, Static dimmer, Master/Slave, DMX
Connections:	Blue + White Pro Power connector (IN/OUT)
Cooling:	Convection
Max. ambient temperature t_a :	40°C
Max. housing temperature t_B :	80°C
Minimum distance:	
Minimum distance from flammable surfaces:	0,5 m
Minimum distance to lighted object:	1 m

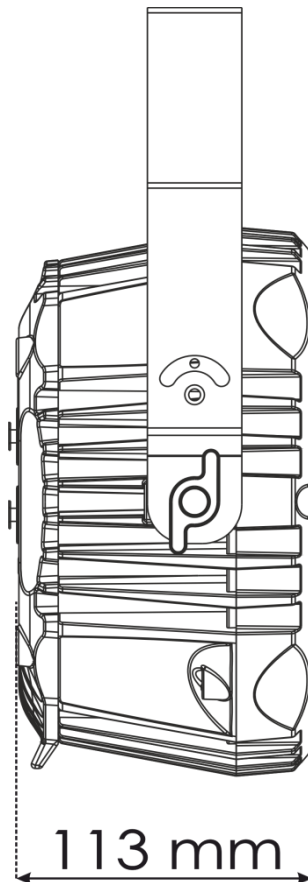
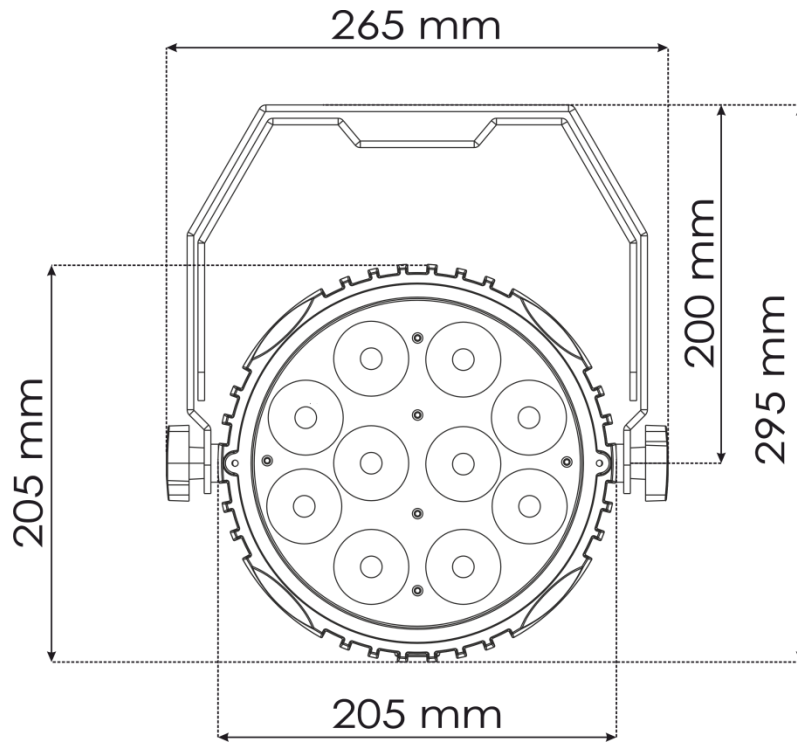
Design and product specifications are subject to change without prior notice.



Website: www.Showtec.info

Email: service@highlite.nl

Dimensions





©2016 Showtec