



Cameleon Bar 24-3 v3

ORDERCODE 42695



SHOWELECTRONICS FOR PROFESSIONALS

Congratulations!

You have bought a great, innovative product from Showtec.

The Showtec Cameleon Bar 24-3 brings excitement to any venue. Whether you want simple plug-&-play action or a sophisticated DMX show, this product provides the effect you need.

You can rely on Showtec, for more excellent lighting products.

We design and manufacture professional light equipment for the entertainment industry.

New products are being launched regularly. We work hard to keep you, our customer, satisfied.

For more information: iwant@showtec.info

You can get some of the best quality, best priced products on the market from Showtec.

So next time, turn to Showtec for more great lighting equipment.

Always get the best -- with Showtec !

Thank you!



Showtec Cameleon Bar 24-3™ Product Guide

Warning2
Safety Instructions2
Operating Determinations4
Rigging4
Return Procedure5
Claims.....5

Description of the device.....6
Overview7
Backside7

Set Up and Operation8
Control Modes.....8
One Cameleon Bar (Static Colors)8
One Cameleon Bar (Auto Run)8
One Cameleon Bar (Built-in Programs)8
Multiple Cameleon Bars (Master/Slave control)8
Multiple Cameleon Bars (DMX Control)9
Fixture Linking10
Data Cabling10
Control Panel11
DMX Control Mode.....11
DMX Addressing11
Menu Overview12
Main Menu Options12
1. Auto Run Program.....13
2. DMX Mode13
3. Slave Mode13
4. Static Colors14
5. Built-in Programs14
DMX Channels15
5 Channels15
3 Channels15

Maintenance16

Troubleshooting16
No Light16
No Response to DMX.....16

Product Specification18

Warning

**FOR YOUR OWN SAFETY, PLEASE READ THIS USER MANUAL CAREFULLY
BEFORE YOUR INITIAL START-UP!**

Unpacking Instructions

Immediately upon receiving this product, carefully unpack the carton and check the contents to ensure that all parts are present, and have been received in good condition. Notify the dealer immediately and retain packing material for inspection if any parts appear damaged from shipping or the carton itself shows signs of mishandling. Save the carton and all packing materials. In the event that a fixture must be returned to the factory, it is important that the fixture be returned in the original factory box and packing.

Your shipment includes:

- Showtec Cameleon Bar 24-3 with special 3-pin to IEC powercable 1,35m
- User manual



LED Expected Lifespan

LEDs gradually decline in brightness over time. HEAT is the dominant factor that leads to the acceleration of this decline. Packaged in clusters, LEDs exhibit higher operating temperatures than in ideal or singular optimum conditions. For this reason when all color LEDs are used at their fullest intensity, life of the LEDs is significantly reduced. If improving your lifespan expectancy is of a higher priority, place care in providing for lower operational temperatures. This may include climatic-environmental and the reduction of overall projection intensity.



CAUTION!
Keep this device away from rain and moisture!
Unplug mains lead before opening the housing!



Safety Instructions

Every person involved with the installation, operation and maintenance of this device has to:

- be qualified
- follow the instructions of this manual



CAUTION! Be careful with your operations.
With a dangerous voltage you can suffer
a dangerous electric shock when touching the wires!



Before your initial start-up, please make sure that there is no damage caused by transportation. Should there be any, consult your dealer and do not use the device.

To maintain perfect condition and to ensure a safe operation, it is absolutely necessary for the user to follow the safety instructions and warning notes written in this manual.

Please consider that damages caused by manual modifications to the device are not subject to warranty.

This device contains no user-serviceable parts. Refer servicing to qualified technicians only.

IMPORTANT:

The manufacturer will not accept liability for any resulting damages caused by the non-observance of this manual or any unauthorized modification to the device.

- Never let the power-cord come into contact with other cables! Handle the power-cord and all connections with the mains with particular caution!
- Never remove warning or informative labels from the unit.
- Do not open the device and do not modify the device.
- Never use anything to cover the ground contact.
- Never leave the device run without a lamp!
- Never look directly into the light source.
- Never leave any cables lying around.
- Do not insert objects into air vents.
- Do not connect this device to a dimmerpack.
- Do not switch the device on and off in short intervals, as this would reduce the device's life.
- Do not shake the device. Avoid brute force when installing or operating the device. The Cameleon Bar 24-3 reacts very sensitive to movement.
- Never use the device during thunderstorms, unplug the device immediately.
- Only use device indoor, avoid contact with water or other liquids.
- Do not touch the device's housing bare-handed during its operation (housing becomes hot).
- Only operate the device after having familiarized with its functions.
- Avoid flames and do not put close to flammable liquids or gases.
- Always keep case closed while operating.
- Always allow free air space of at least 50 cm around the unit for ventilation.
- Always disconnect power from the mains, when device is not used or before cleaning! Only handle the power-cord by the plug. Never pull out the plug by tugging the power-cord.
- Make sure that the device is not exposed to extreme heat, moisture or dust.
- Only install the device with the hanging-bracket.
- Make sure that the available voltage is not higher than stated on the rear panel.
- Make sure that the power-cord is never crimped or damaged. Check the device and the power-cord from time to time.
- If the external cable is damaged, it has to be replaced by a qualified technician.
- If the lens or glass is obviously damaged, it has to be replaced. So that its functions are not impaired, due to cracks or deep scratches.
- If device is dropped or struck, disconnect mains power supply immediately. Have a qualified engineer inspect for safety before operating.
- If the device has been exposed to drastic temperature fluctuation (e.g. after transportation), do not switch it on immediately. The arising condensation water might damage your device. Leave the device switched off until it has reached room temperature.
- If your Showtec device fails to work properly, discontinue use immediately. Pack the unit securely (preferably in the original packing material), and return it to your Showtec dealer for service.
- For adult use only. Lighteffect must be installed out of the reach of children. Never leave the unit running unattended.
- For replacement use fuses of same type and rating only.
- Allow time to cool down, before replacing lamp.
- The user is responsible for correct positioning and operating of the Cameleon Bar 24-3. The manufacturer will not accept liability for damages caused by the misuse or incorrect installation of this device.
- This device falls under protection class I. Therefore it is essential to connect the yellow/green conductor to earth.
- During the initial start-up some smoke or smell may arise. This is a normal process and does not necessarily mean that the device is defective.
- Repairs, servicing and electric connection must be carried out by a qualified technician.
- **WARRANTY:** Till one year after date of purchase.

CAUTION ! EYEDAMAGES !
Avoid looking directly into the light source.
(meant especially for epileptics) !

Operating Determinations

- This device is not designed for permanent operation. Consistent operation breaks will ensure that the device will serve you for a long time without defects.
- The minimum distance between light-output and the illuminated surface must be more than 0.5 meter.
- The maximum ambient temperature $t_a = 45^\circ\text{C}$ must never be exceeded.
- The relative humidity must not exceed 50 % with an ambient temperature of 45°C .
- If this device is operated in any other way, than the one described in this manual, the product may suffer damages and the warranty becomes void.
- Any other operation may lead to dangers like short-circuit, burns, electric shock, crash etc.

You endanger your own safety and the safety of others!

Rigging

Please follow the European and national guidelines concerning rigging, trussing and all other safety issues.

Do not attempt the installation yourself !

Always let the installation be carried out by an authorized dealer !

Procedure:


- If the Cameleon Bar 24-3 is lowered from the ceiling or high joists, professional trussing systems have to be used.
- Use a clamp to mount the Cameleon Bar 24-3, with the mounting-bracket, to the trussing system.
- The Cameleon Bar 24-3 must never be fixed swinging freely in the room.
- The installation must always be secured with a safety attachment, e.g. an appropriate safety net or safety-cable.
- When rigging, derigging or servicing the device, always make sure, that the area below the installation place is blocked and staying in the area is forbidden.

Improper installation can cause serious damage to people and property !

Connection with the mains

Connect the device to the mains with the power-plug.

Always pay attention, that the right color cable is connected to the right place.

International	EU Cable	UK Cable	US Cable	Pin
L	BROWN	RED	YELLOW/COPPER	FASE
N	BLUE	BLACK	SILVER	NUL
	YELLOW/GREEN	GREEN	GREEN	EARTH

Make sure that the device is always connected properly to the earth!



Return Procedure

Returned merchandise must be sent prepaid and in the original packing, call tags will not be issued. Package must be clearly labeled with a Return Authorization Number (RMA number). Products returned without an RMA number will be refused. Highlite will not accept the returned goods or any responsibility. Call Highlite 0031-455667723 or mail aftersales@highlite.nl and request an RMA prior to shipping the fixture. Be prepared to provide the model number, serial number and a brief description of the cause for the return. Be sure to properly pack fixture, any shipping damage resulting from inadequate packaging is the customer's responsibility. Highlite reserves the right to use its own discretion to repair or replace product(s). As a suggestion, proper UPS packing or double-boxing is always a safe method to use.

Note: If you are given an RMA number, please include the following information on a piece of paper inside the box:

- 1) Your name
- 2) Your address
- 3) Your phone number
- 4) A brief description of the symptoms

Claims

The client has the obligation to check the delivered goods immediately upon delivery for any shortcomings and/or visible defects, or perform this check after our announcement that the goods are at their disposal. Damage incurred in shipping is the responsibility of the shipper; therefore the damage must be reported to the carrier upon receipt of merchandise.

It is the customer's responsibility to notify and submit claims with the shipper in the event that a fixture is damaged due to shipping. Transportation damage has to be reported to us within one day after receipt of the delivery.

Any return shipment has to be made post-paid at all times. Return shipments must be accompanied with a letter defining the reason for return shipment. Non-prepaid return shipments will be refused, unless otherwise agreed in writing.

Complaints against us must be made known in writing or by fax within 10 working days after receipt of the invoice. After this period complaints will not be handled anymore.

Complaints will only then be considered if the client has so far complied with all parts of the agreement, regardless of the agreement of which the obligation is resulting.

Description of the device

Features

The Showtec Cameleon Bar 24-3 is a light effect with high output and great effects.

- LED Quantity: 24x 3-in-1 RGB LED
- 2 DMX Modes: 3 or 5 Channels
- Colour range: 16,7 million additive colors
- Input-voltage: 100-240V Autoswitch
- Drive current: 350mA
- Peak Power 171 Watt
- Continuous Power 75 Watt
- Refreshrate: 7,8 KHz, excellent for TV use
- RGB Colormixing
- High Power Lightoutput
- IP65 Rating
- Multivoltage Powersupply
- Both indoor and outdoor use
- Stylish design
- Convection cooling which eliminates the use of fans and noise
- Dedicated IP65 Powerconnector
- DMX Connection Dedicated IP65 connector
- Lens Plate: Tempered Glass
- Display: LED display for auto and custom control
- Control: DMX / Auto Program / Master-slave
- Dimmer: 0-100%
- Strobe: 0-20Hz
- Beam Angle: 40 degrees
- Digital Addressing
- Housing: Die Cast Aluminium
- Black Powder Coat Finish
- Lux (@ 2 meter) Red 730
Lux (@ 2 meter) Green 1135
Lux (@ 2 meter) Blue 1435
Lux (@ 2 meter) Full 3180
- Max distance: 10m
- Cooling: Convection (no fans)
- Linkable
- Mounting brackets included
- Dimensions: 1025 x 88 x 77 mm (LxWxH) excluding brackets
1110 x 128 x 120 mm (LxWxH) including brackets.
- Weight: 6,7 kg incl. brackets; 6,4 kg excluding brackets

Optional Accessories

42698 Power extensioncable end capset Male/female

42699 DMX extensioncable end cap set Male/female

42705 Power Extension cable 3m for Cameleon series

42706 Power connection cable 3m for Cameleon series

42707 07 DMX Extension cable 3m for Cameleon series

42708 DMX Input cable 3m for Cameleon series

42709 End Cap for Cameleon series

Overview



Fig. 1

1) 24x 3-in-1 RGB LED

Backside

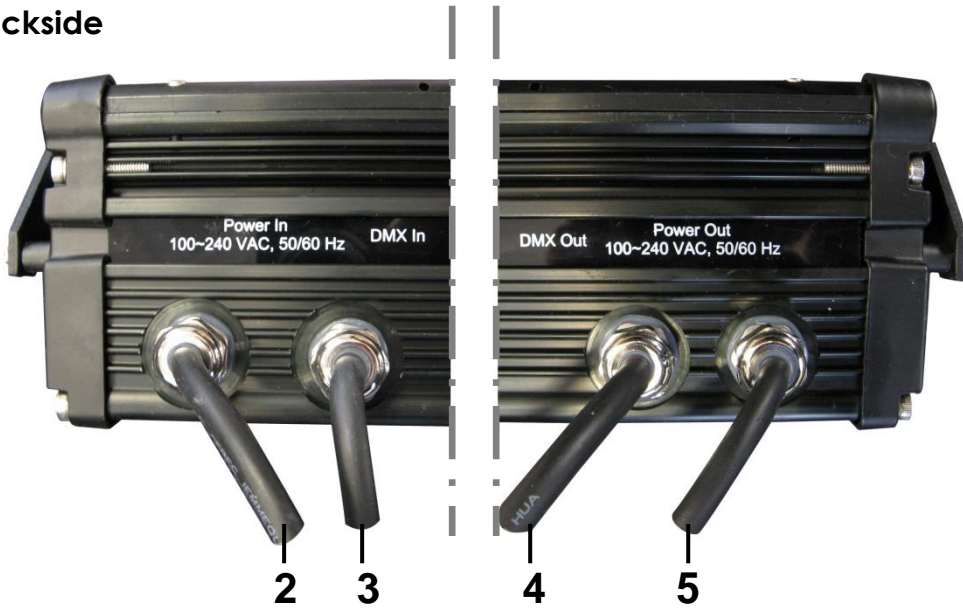


Fig. 2

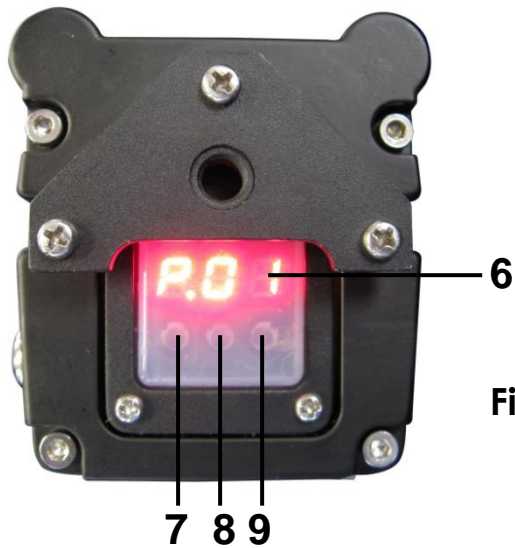


Fig.3

2) Power In
3) DMX IN
4) DMX Out
5) Power Out

6) LED Display
7) Mode Button
8) Up Button
9) Down Button

Set Up and Operation

Before plugging the unit in, always make sure that the power supply matches the product specification voltage. Do not attempt to operate a 120V specification product on 230V power, or vice versa. Remove all packing materials from the Cameleon Bar 24-3. Check that all foam and plastic padding is removed.

Always disconnect from electric mains power supply before cleaning or servicing.
Damages caused by non-observance are not subject to warranty.

Control Modes

- There are 5 Modes:
- 1) Static Colors (Red, Green and Blue are manually controllable)
 - 2) Auto Run
 - 3) Built-in Programs
 - 4) Master/Slave
 - 5) DMX512

One Cameleon Bar (Static Colors)

1. Fasten the effect light onto firm trussing. Leave at least 0,5 meter on all sides for air circulation.
2. Plug the end of the electric mains power cord into a proper electric power supply socket.
3. When the Cameleon Bar is not connected by a DMX-cable, it functions as a stand-alone device. Please see page 14 for more information about the static colors.


One Cameleon Bar (Auto Run)

1. Fasten the effect light onto firm trussing. Leave at least 0,5 meter on all sides for air circulation.
2. Plug the end of the electric mains power cord into a proper electric power supply socket.
3. When the Cameleon Bar is not connected by a DMX-cable, it functions as a stand-alone device. Please see page 13 for more information about the Auto run programs.

One Cameleon Bar (Built-in Programs)

1. Fasten the effect light onto firm trussing. Leave at least 0,5 meter on all sides for air circulation.
2. Plug the end of the electric mains power cord into a proper electric power supply socket.
3. When the Cameleon Bar is not connected by a DMX-cable, it functions as a stand-alone device. Please see page 14 for more information about the Built-in programs.

Multiple Cameleon Bars (Master/Slave control)

1. Fasten the effect light onto firm trussing. Leave at least 0,5 meter on all sides for air circulation.
2. Use a 3-p XLR cable to connect the Cameleon Bar.
 The pins: 
 1. Earth
 2. Signal -
 3. Signal +
3. Link the units as shown in (Fig. 4), Connect a DMX signal cable from the first unit's DMX "out" socket to the second unit's "in" socket. Repeat this process to link the second, third, and fourth units. You can use the same functions on the master device as described on page 13+14 (Built-in Programs or Auto Run). This means on the master device you can set your desired operation Mode and all slave devices will react the same as the master device.

Multiple Cameleon Bars (Master/Slave control)

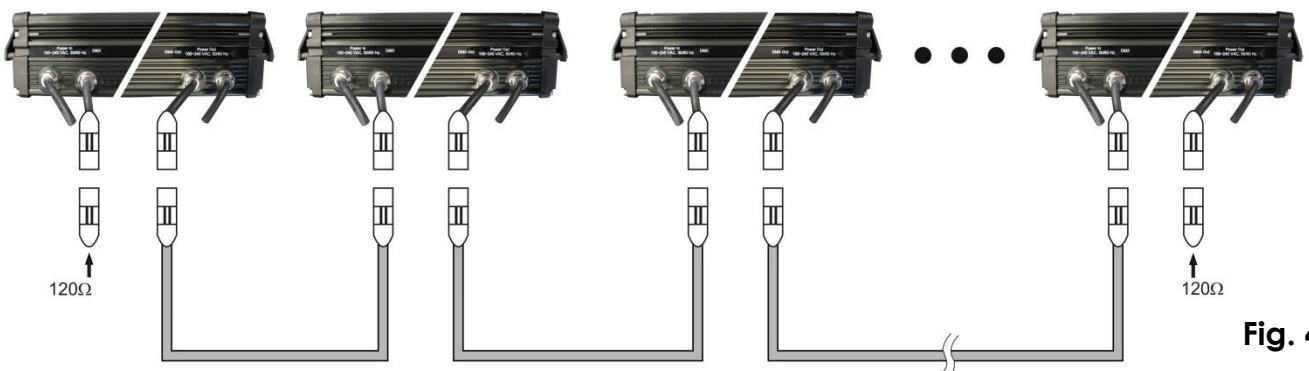


Fig. 4

Multiple Cameleon Bars (DMX Control)

1. Fasten the effect light onto firm trussing. Leave at least 0,5 meter on all sides for air circulation.
2. Always use a safety cable (ordercode 70140 / 70141).
3. Use a 3-p XLR cable to connect the Cameleon Bars and other devices.

Occupation of the XLR-connection:

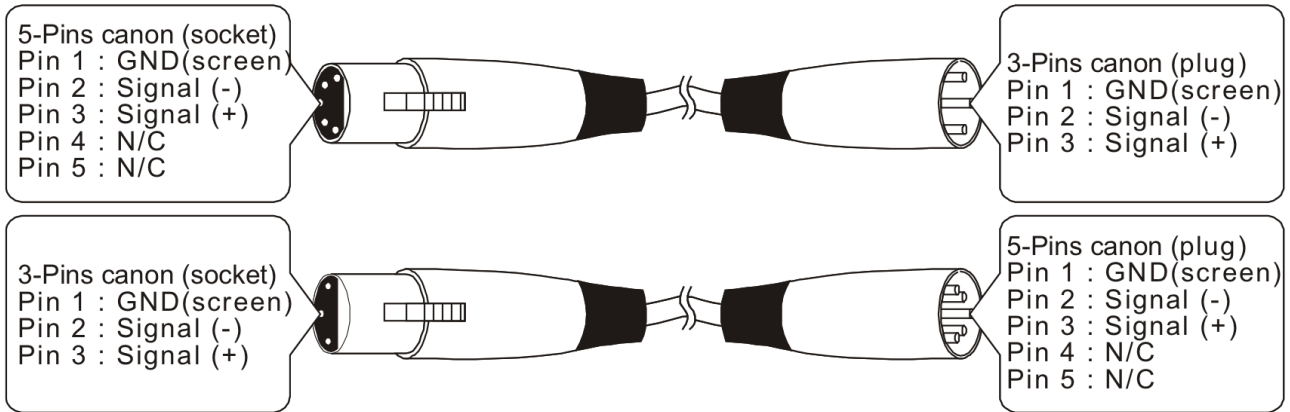
DMX-OUTPUT
XLR mounting-socket:



DMX-input
XLR mounting-plug:



The transformation of the controller line of 3 pins and 5 pins (plug and socket)



4. Link the units as shown in (figure 5), Connect a DMX signal cable from the first unit's DMX "out" socket to the second unit's "in" socket. Repeat this process to link the second, third, and fourth units.
5. Supply electric power: Plug electric mains power cords into each unit's IEC socket, then plug the other end of the mains power cord into proper electric power supply sockets, starting with the first unit. Do not supply power before the whole system is set up and connected properly.

Multiple Cameleon Bars DMX Set Up

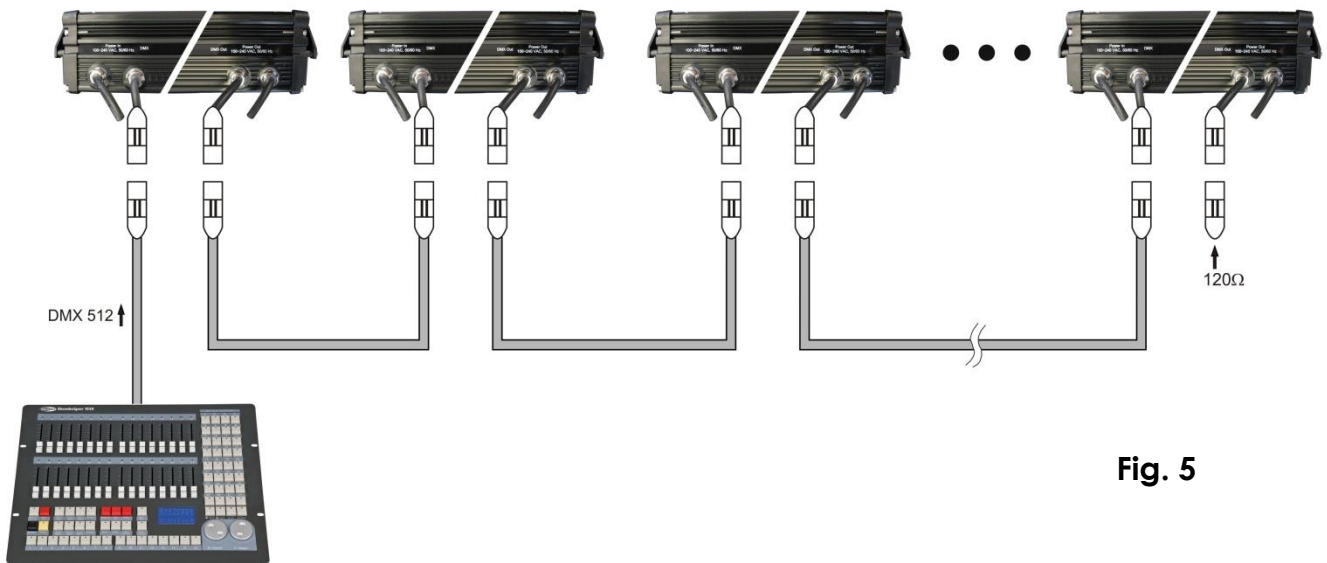


Fig. 5

Note : Link all cables before connecting electric power

Fixture Linking

You will need a serial data link to run light shows of one or more fixtures using a DMX-512 controller or to run synchronized shows on two or more fixtures set to a master/slave operating mode. The combined number of channels required by all the fixtures on a serial data link determines the number of fixtures the data link can support.

Important: Fixtures on a serial data link must be daisy chained in one single line. To comply with the EIA-485 standard no more than 30 devices should be connected on one data link. Connecting more than 30 fixtures on one serial data link without the use of a DMX optically isolated splitter may result in deterioration of the digital DMX signal.



Maximum recommended DMX data link distance: 100 meters
Maximum recommended number of Cameleon Bars on a DMX data link: 30 fixtures

Data Cabling

To link fixtures together you must obtain data cables. You can purchase DAP Audio certified DMX cables directly from a dealer/distributor or construct your own cable. If you choose to create your own cable please use data-grade cables that can carry a high quality signal and are less prone to electromagnetic interference.

DAP Audio Certified DMX Data Cables

- DAP Audio cable for allround use. bal. XLR/M 3 p. > XLR/F 3 p.
Ordercode FL01150 (1,5m.), FL013 (3m.), FL016 (6m.), FL0110 (10m.), FL0115 (15m.), FL0120 (20m.).
- DAP Audio cable for the demanding user with exceptional audio-qualities and connector made by Neutrik®. **Ordercode** FL71150 (1,5m.), FL713 (3m.), FL716 (6m.), FL7110 (10m.).

Control Panel



Fig. 6

- A. MODE Button
- B. UP button
- C. DOWN button
- D. LED Display

DMX Control Mode

The fixtures are individually addressed **001 - 512** on a data-link and connected to the controller.

The fixtures respond to the DMX signal from the controller.

DMX Addressing

The control panel on the front side of the Cameleon Bar allows you to assign the DMX fixture address, which is the first channel from which the Cameleon Bar will respond to the controller.

Please note when you use the controller, the unit has **5** channels.

When using multiple Cameleon Bars, make sure you set the DMX addresses right.

Therefore, the DMX address of the first Cameleon Bar should be **1(A001)**; the DMX address of the second Cameleon Bar should be **1+5=6 (006)**; the DMX address of the third Cameleon Bar should be **6+5=11 (011)**, etc. Please, be sure that you don't have any overlapping channels in order to control each Cameleon Bar correctly.

If two or more Cameleon Bars are addressed similarly, they will work similarly.

Controlling:

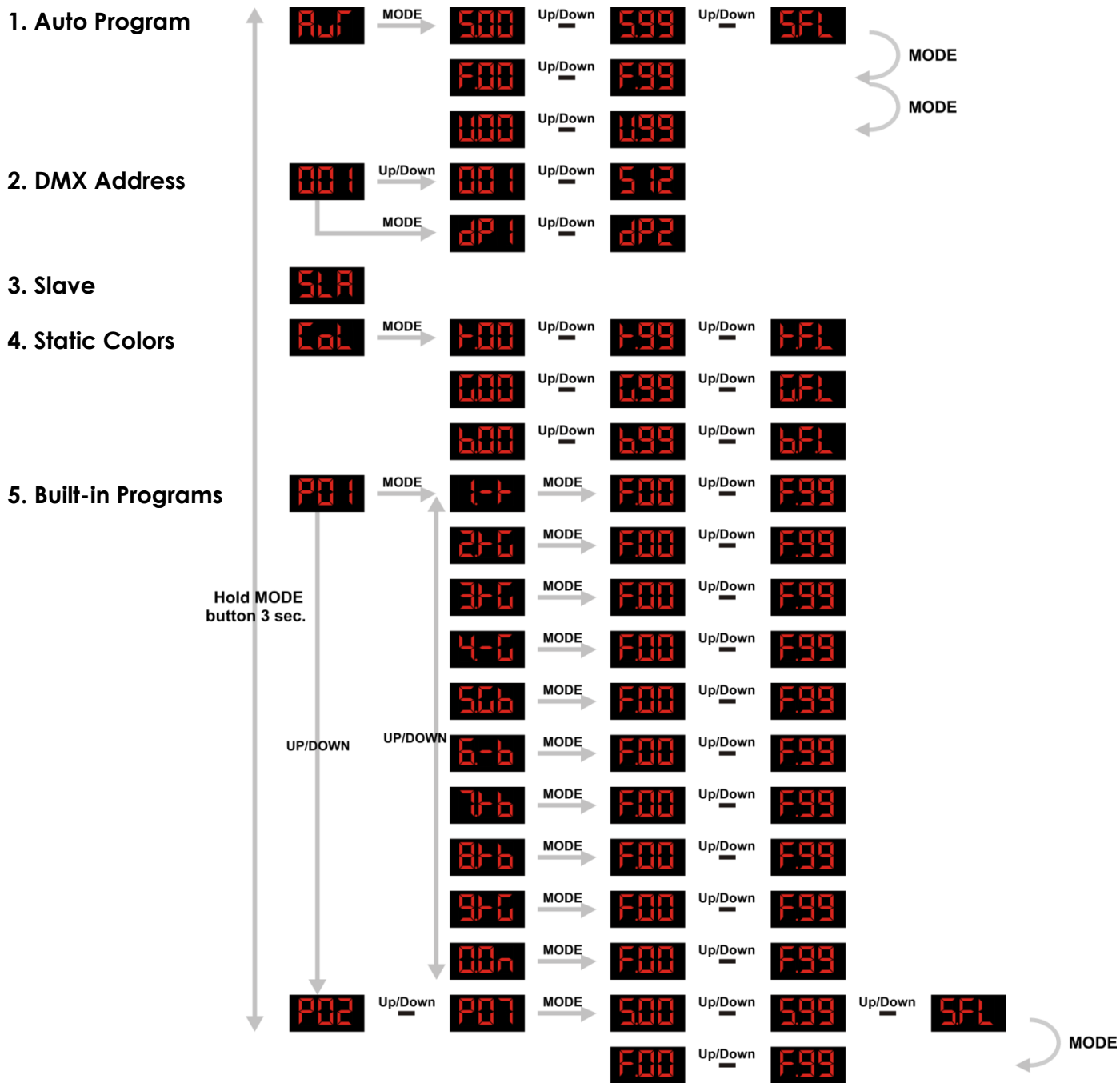
After having addressed all Cameleon Bar fixtures, you may now start operating these via your lighting controller.

Note: After switching on, the Cameleon Bar will automatically detect whether DMX 512 data is received or not. If there is no data received at the DMX-input, the problem may be:

- The XLR cable from the controller is not connected with the input of the Cameleon Bar.
- The controller is switched off or defective, the cable or connector is defective, or the signal wires are swapped in the input connector.

Note: It's necessary to insert a XLR termination plug (with 120 Ohm) in the last fixture in order to ensure proper transmission on the DMX data link.

Menu Overview



Main Menu Options



The Cameleon Bar will only show its version number at start-up !



1. Auto Run Program

1) Press and hold down the **MODE** button on the device for 3 seconds at a time, until the display shows **AUT** .

2) With this menu you can set the Auto Mode of the Cameleon Bar.

3) Press the **MODE** button to enter the AUTO Menu. You can choose 3 different sub menus.

500 Up/Down **599** Up/Down **5FL** Speed from 00-99 and FL

F00 Up/Down **F99** Flash Frequency from 00-99

U00 Up/Down **U99** Fade Time from 00-99

4) Use the **MODE** button to scroll through the menu.

5) Use the Up/Down buttons to change the values.

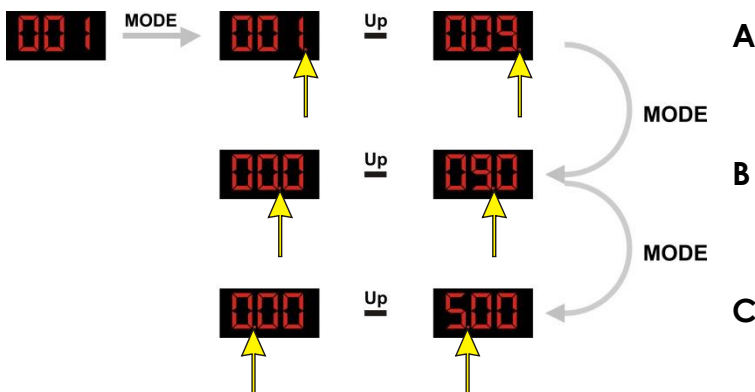
2. DMX Mode

With this menu you can set the DMX address.

1) Press and hold down the **MODE** button on the device for 3 seconds at a time, until the display shows **001** .

2) You can choose 512 different DMX addresses.

Use the **MODE** and Up/Down buttons to select the required address from **001 - 512** .



A First press the **MODE** button until the display shows a blinking dot at the end of the display. You can now change the digits from 0-9 (single).

B First press the **MODE** button until the display shows a blinking dot in the middle of the display. You can now change the digits from 0-9 (tenfold).

C First press the **MODE** button until the display shows a blinking dot at the begin of the display. You can now change the digits from 0-5 (hundredfold).

3) You can also press the **MODE** button to set a different DMX Mode **DP1 - DP2** .

DP1 5 Channels

DP2 3 Channels

3. Slave Mode

With this menu you can set the device to slave mode.

1) Press and hold down the **MODE** button on the device for 3 seconds at a time, until the display shows **SLA** .

2) The device is a slave device. It will now react the same as its master.

4. Static Colors

With this menu you can manually set a desired color.

1) Press and hold down the **MODE** button on the device for 3 seconds at a time, until the display shows **Col**.

2) With this menu you can manually mix and set your desired color.

You can choose 3 different sub menus, by using the **MODE** button.



You can combine Red, Green and Blue to create an infinite range of colors (0-255).

Red

Set the value of the red LEDs (0-255).

Blue

Set the value of the blue LEDs (0-255).

Green

Set the value of the green LEDs (0-255).

5. Built-in Programs

1) Press and hold down the **MODE** button on the device for 3 seconds at a time, until the display shows **PO1**.

2) With this menu you can set the Built-in Program Mode of the Cameleon Bar.

You can choose 7 built-in programs **PO1** Up/Down **PO7**, by using the Up/Down buttons.

3) Press **MODE** to enter the built-in programs Menu. You can choose 2 different sub menus:



See below the complete menu of **PO1**:

1-r	→ MODE	F00	Up/Down	F99	Red, Flash Frequency from 00-99
2-rG	→ MODE	F00	Up/Down	F99	Red 80% - Green 20%; Flash Frequency from 00-99
3-rG	→ MODE	F00	Up/Down	F99	Red 20% - Green 80%; Flash Frequency from 00-99
4-G	→ MODE	F00	Up/Down	F99	Green, Flash Frequency from 00-99
5-Gb	→ MODE	F00	Up/Down	F99	Green-Blue, Flash Frequency from 00-99
6-b	→ MODE	F00	Up/Down	F99	Blue, Flash Frequency from 00-99
7-rb	→ MODE	F00	Up/Down	F99	Red 20% - Blue 80%; Flash Frequency from 00-99
8-rb	→ MODE	F00	Up/Down	F99	Red 80% - Blue 20%; Flash Frequency from 00-99
9-rG	→ MODE	F00	Up/Down	F99	Orange Flash Frequency from 00-99
00-n	→ MODE	F00	Up/Down	F99	RGB Full On; Flash Frequency from 00-99

4) When you select **PO2** Up/Down **PO7**, you can press the Up/Down buttons to switch between the built-in programs Menu.

5) You can choose 2 different sub menus.



Program Running Speed from 01-99 and FL

Flash Frequency from 00-99

Use the **MODE** button to scroll through the menu.

DMX Channels

5 Channels

Channel 1 – Red

0-255	Gradual adjustment Red from 0 – 100%
-------	--------------------------------------

Channel 2 – Green

0-255	Gradual adjustment Green from 0 – 100%
-------	--

Channel 3 – Blue

0-255	Gradual adjustment Blue from 0 – 100%
-------	---------------------------------------

Channel 4 – Master Dimmer

0-255	Brightness from 0 to 100%
-------	---------------------------

Channel 5 – Strobe

0	No function
1-255	Strobe effect, from slow to fast (0-20 flashes/sec.)

3 Channels

Channel 1 – Colors / Programs

0	No Function
1-50	PR01 Color Change
51-101	PR02 Color Jump from slow to fast
102-152	PR03 Red Fading
153-203	PR04 Green Fading
204-255	PR05 Blue Fading

Note CH1: When CH1 is set to 0, CH2 + CH3 have no function.
When CH1 is set to 1-255, CH2 controls the speed of the programs from slow to fast.
When CH1 is set to 1-255, CH3 controls the Strobe effect from slow to fast.

Channel 2 – No function (when CH1 is set to 0)

Channel 2 – Speed (when CH1 is set between 1-255)

0-255	Speed from slow to fast
-------	-------------------------

Channel 3 – No function (when CH1 is set to 0)

Channel 3 Strobe (CH1 must be set between 1- 255)

0	No function
1-255	Strobe effect, from slow to fast (0-20 flashes/sec.)

Maintenance

The Showtec Cameleon Bar requires almost no maintenance. However, you should keep the unit clean. Otherwise, the fixture's light-output will be significantly reduced. Disconnect the mains power supply, and then wipe the cover with a damp cloth. Do not immerse in liquid. Wipe lens clean with glass cleaner and a soft cloth. Do not use alcohol or solvents. Keep connections clean. Disconnect electric power, and then wipe the connections with a damp cloth. Make sure connections are thoroughly dry before linking equipment or supplying electric power.

The operator has to make sure that safety-relating and machine-technical installations are to be inspected by an expert after every four years in the course of an acceptance test.

The operator has to make sure that safety-relating and machine-technical installations are to be inspected by a skilled person once a year.

The following points have to be considered during the inspection:

1. All screws used for installing the device or parts of the device have to be tightly connected and must not be corroded.
2. There may not be any deformations on housings, fixations and installation spots.
3. Mechanically moving parts like axles, eyes and others may not show any traces of wearing.
4. The electric power supply cables must not show any damages or material fatigue.

Troubleshooting

No Light

This troubleshooting guide is meant to help solve simple problems.

If a problem occurs, carry out the steps below in sequence until a solution is found. Once the unit operates properly, do not carry out following steps.

If the light effect does not operate properly, refer servicing to a technician.

Response: Suspect two potential problem areas: the power supply or the LEDs.

1. Power supply. Check that the unit is plugged into an appropriate power supply.
2. The LEDs. Return the Cameleon Bar to your Showtec dealer.
3. If all of the above appears to be O.K., plug the unit in again.
4. If you are unable to determine the cause of the problem, do not open the Cameleon Bar, as this may damage the unit and the warranty will become void.
5. Return the device to your Showtec dealer.

No Response to DMX

Response: Suspect the DMX cable or connectors, a controller malfunction, a light effect DMX card malfunction.

1. Check the DMX setting. Make sure that DMX addresses are correct
2. Check the DMX cable: Unplug the unit; change the DMX cable; then reconnect to electrical power. Try your DMX control again.
3. Determine whether the controller or light effect is at fault. Does the controller operate properly with other DMX products ? If not, take the controller in for repair. If so, take the DMX cable and the light effect to a qualified technician.

Problem	Probable cause(s)	Remedy
One or more fixtures are completely dead.	No power to the fixture	<ul style="list-style-type: none"> • Check that power is switched on and cables are plugged in.
	Internal fuse blown.	<ul style="list-style-type: none"> • Contact your Showtec dealer.
Fixtures reset correctly, but all respond erratically or not at all to the controller.	The controller is not connected.	<ul style="list-style-type: none"> • Connect controller.
	3-pin XLR Out of the controller does not match XLR Out of the first fixture on the link (i.e. signal is reversed).	<ul style="list-style-type: none"> • Install a phase reversing cable between the controller and the first fixture on the link.
Fixtures reset correctly, but some respond erratically or not at all to the controller.	Poor data quality	<ul style="list-style-type: none"> • Check data quality. If much lower than 100 percent, the problem may be a bad data link connection, poor quality or broken cables, missing termination plug, or a defective fixture disturbing the link.
	Bad data link connection	<ul style="list-style-type: none"> • Inspect connections and cables. Correct poor connections. Repair or replace damaged cables.
	Data link not terminated with 120 Ohm termination plug.	<ul style="list-style-type: none"> • Insert termination plug in output jack of the last fixture on the link.
	Incorrect addressing of the fixtures.	<ul style="list-style-type: none"> • Check address setting.
	One of the fixtures is defective and disturbs data transmission on the link.	<ul style="list-style-type: none"> • Bypass one fixture at a time until normal operation is regained: unplug both connectors and connect them directly together. • Have the defective fixture serviced by a qualified technician.
	3-pin XLR Out on the fixtures does not match (pins 2 and 3 reversed).	<ul style="list-style-type: none"> • Install a phase-reversing cable between the fixtures or swap pin 2 and 3 in the fixture, that behaves erratically.
Shutter closes suddenly	The fixture is resetting the effect.	<ul style="list-style-type: none"> • Contact a technician for servicing the problem persists.
No light	Fixture is too hot.	<ul style="list-style-type: none"> • Allow fixture to cool. • Clean fan. • Make sure air vents at control panel and front lens are not blocked. • Turn up the air conditioning .
	LEDs damaged	<ul style="list-style-type: none"> • Disconnect fixture and return to your dealer.
	The power supply settings do not match local AC voltage and frequency.	<ul style="list-style-type: none"> • Disconnect fixture. Check settings and correct if necessary.

Product Specification

Model: Showtec Cameleon Bar 24-3

2 DMX Modes: 3 or 5 Channels

Power: 100-240V Autoswitch

LED Quantity: 24x 3-in-1 RGB LED

Colour range: 16,7 million additive colors

Drive current: 350mA

Peak Power 171 Watt

Continuous Power 75 Watt

Refreshrate: 7,8 KHz, excellent for TV use

RGB Colormixing

High Power Lightoutput

IP65 Rating

Multivoltage Powersupply

Both indoor and outdoor use

Stylish design

Convection cooling which eliminates the use of fans and noise

Dedicated IP65 Powerconnector

DMX Connection Dedicated IP65 connector

Lens Plate: Tempered Glass

Display: LED display for auto and custom control

Control: DMX / Auto Program / Master-slave

Dimmer: 0-100%

Strobe: 0-20Hz

Beam Angle: 40 degrees

Digital Addressing

Housing: Die Cast Aluminium

Black Powder Coat Finish

Lux (@ 2 meter) Red 730

Lux (@ 2 meter) Green 1135

Lux (@ 2 meter) Blue 1435

Lux (@ 2 meter) Full 3180

Max distance: 10m

Cooling: Convection (no fans)

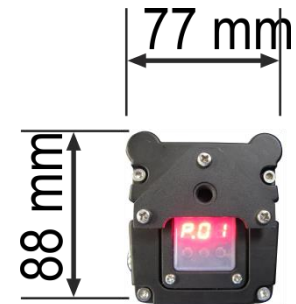
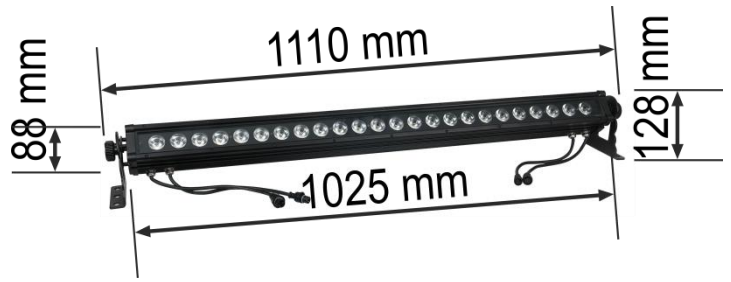
Linkable

Mounting brackets included

Dimensions: 1025 x 88 x 77 mm (LxWxH) excluding brackets

1110 x 128 x 120 mm (LxWxH) including brackets.

Weight: 6,7 kg incl. brackets; 6,4 kg excluding brackets



Minimum distance:

Minimum distance from flammable surfaces: 0.5m

Minimum distance to lighted object: 0.8m

Design and product specifications are subject to change without prior notice.



Website: www.Showtec.info

Email: service@highlite.nl



© 2013 Showtec.