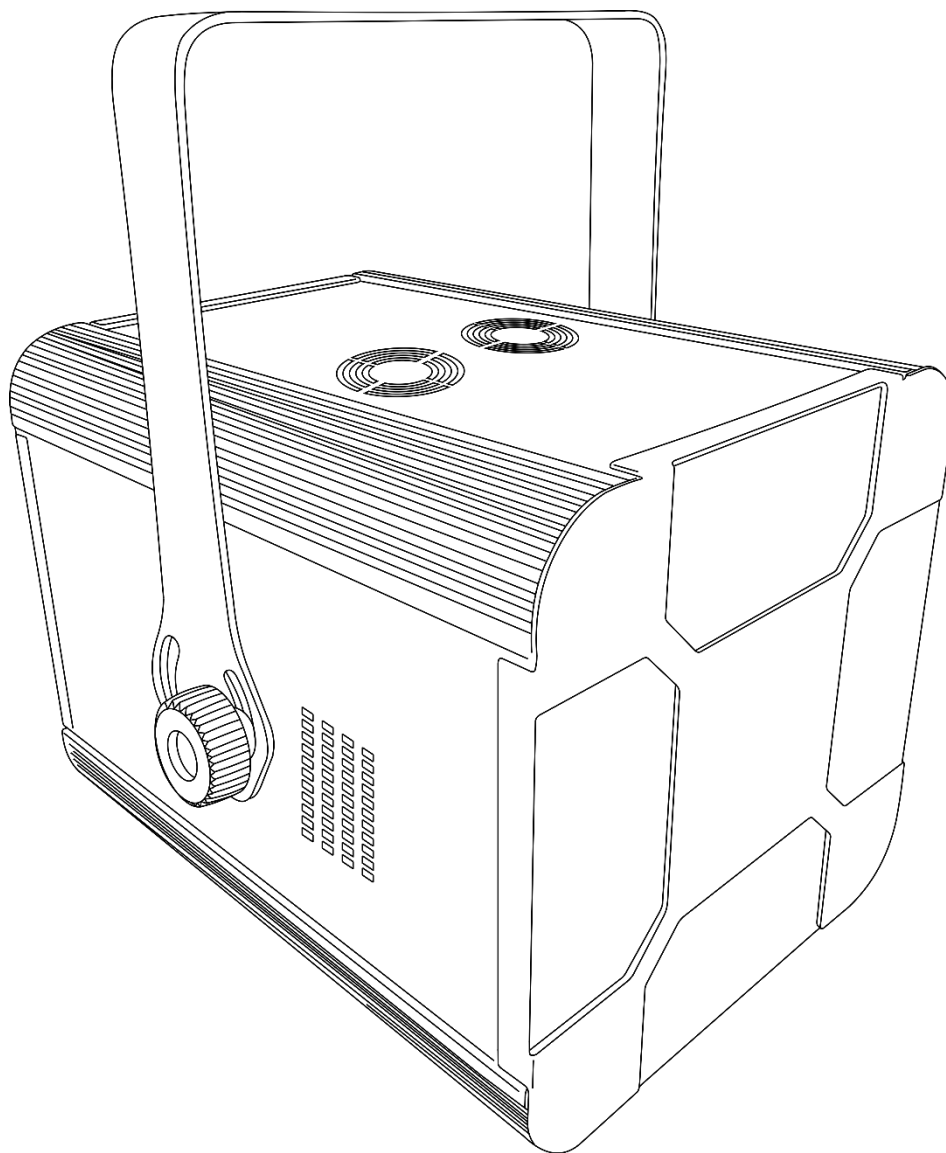




MANUAL



ENGLISH

Airstrike

V2

Ordercode: 43158

Table of contents

Warning	2
Safety Instructions	2
Operating Determinations	4
Rigging	4
Connection with the mains.....	5
Return Procedure.....	5
Claims.....	5
Description of the device	6
Features	6
Frontside.....	6
Backside	7
Installation	7
Installing the Lamp.....	8
Set Up and Operation	8
Control Modes.....	9
One Airstrike (Auto run mode and Sound-controlled mode)	9
One Airstrike (Manual Mode)	9
Multiple Airstrikes (Master / Slave Control)	9
Multiple Airstrikes (DMX Control)	10
Fixture Linking.....	11
Data Cabling.....	11
Control Panel.....	12
Control Mode	12
DMX Addressing.....	12
Menu Overview.....	13
Main Menu Options.....	14
1. Startup/Auto run mode	14
2. DMX-512 mode	14
3. Sound options.....	14
4. Master/Slave mode.....	15
5. Display options	15
6. Sound-controlled mode	15
7. Reset.....	15
8. Manual mode	16
DMX Channels	16
10 channels.....	16
Maintenance	19
Replacing the Fuse.....	19
Static Gobo wheel and Color wheel	20
Troubleshooting	21
Changing the Lamp.....	21
No Light	21
No Response to DMX.....	21
Product Specification	23
Dimensions	24
Notes	25

Warning



**For your own safety, please read this user manual carefully
before your initial start-up!**

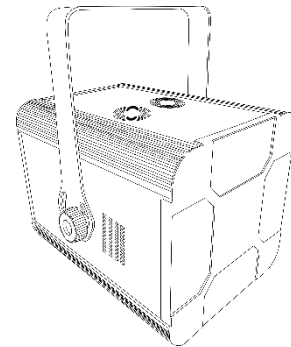


Unpacking Instructions

Immediately upon receiving this product, carefully unpack the carton and check the contents to ensure that all parts are present, and have been received in good condition. Notify the dealer immediately and retain packing material for inspection if any parts appear damaged from shipping or the carton itself shows signs of mishandling. Save the carton and all packing materials. In the event that a fixture must be returned to the factory, it is important that the fixture be returned in the original factory box and packing.

Your shipment includes:

- Showtec Airstrike
- IEC power cable (1,5 m)
- Safety cable
- User manual



LED Expected Lifespan

LEDs gradually decline in brightness over time. HEAT is the dominant factor that leads to the acceleration of this decline. Packaged in clusters, LEDs exhibit higher operating temperatures than in ideal or singular optimum conditions. For this reason when all color LEDs are used at their fullest intensity, life of the LEDs is significantly reduced. If improving your lifespan expectancy is of a higher priority, place care in providing for lower operational temperatures. This may include climatic-environmental and the reduction of overall projection intensity.



CAUTION!

**Keep this device away from rain and moisture!
Unplug mains lead before opening the housing!**



Safety Instructions

Every person involved with the installation, operation and maintenance of this device has to:

- be qualified
- follow the instructions of this manual



**CAUTION! Be careful with your operations.
With a dangerous voltage you can suffer
a dangerous electric shock when touching the wires!**



Before your initial start-up, please make sure that there is no damage caused by transportation. Should there be any, consult your dealer and do not use the device.

To maintain perfect condition and to ensure a safe operation, it is absolutely necessary for the user to follow the safety instructions and warning notes written in this manual.

Please consider that damages caused by manual modifications to the device are not subject to warranty.

This device contains no user-serviceable parts. Refer servicing to qualified technicians only.

IMPORTANT:

The manufacturer will not accept liability for any resulting damages caused by the non-observance of this manual or any unauthorized modification to the device.

- Never let the power cord come into contact with other cables! Handle the power cord and all connections with the mains with particular caution!
- Never remove warning or informative labels from the unit.
- Never use anything to cover the ground contact.
- Never place any material over the lens.
- Never look directly into the light source.
- Never leave any cables lying around.
- Do not insert objects into air vents.
- Do not connect this device to a dimmerpack.
- Do not switch the device on and off in short intervals, as this would reduce the device's life.
- Do not touch the device's housing bare-handed during its operation. Allow the fixture to cool for at least 5 minutes before handling.
- Do not shake the device. Avoid brute force when installing or operating the device.
- Only use device indoors, avoid contact with water or other liquids.
- Only operate the fixture after having checked if the housing is firmly closed and all screws are tightly fastened.
- Only operate the device after having familiarized with its functions.
- Avoid flames and do not put close to flammable liquids or gases.
- Always keep case closed while operating.
- Always allow free air space of at least 50 cm around the unit for ventilation.
- Always disconnect power from the mains, when device is not used or before cleaning! Only handle the power cord by the plug. Never pull out the plug by tugging the power cord.
- Make sure that the device is not exposed to extreme heat, moisture or dust.
- Make sure that the available voltage is not higher than stated on the rear panel.
- Make sure that the power cord is never crimped or damaged. Check the device and the power cord from time to time.
- If the lens is obviously damaged, it has to be replaced. So that its functions are not impaired, due to cracks or deep scratches.
- If device is dropped or struck, disconnect mains power supply immediately. Have a qualified engineer inspect for safety before operating.
- If the device has been exposed to drastic temperature fluctuation (e.g. after transportation), do not switch it on immediately. The arising condensation water might damage your device. Leave the device switched off until it has reached room temperature.
- If your Showtec device fails to work properly, discontinue use immediately. Pack the unit securely (preferably in the original packing material), and return it to your Showtec dealer for service.
- For adult use only. Device must be installed out of the reach of children. Never leave the unit running unattended.
- Never attempt to bypass the thermostatic switch or fuses.
- For replacement use fuses of same type and rating only.
- The user is responsible for correct positioning and operating of the Airstrike. The manufacturer will not accept liability for damages caused by the misuse or incorrect installation of this device.
- This device falls under protection class I. Therefore it is essential to connect the yellow/green conductor to earth.
- Repairs, servicing and electric connection must be carried out by a qualified technician.
- WARRANTY: Till one year after date of purchase.



CAUTION! Eyedamages!!!
Avoid looking directly into the lightsource!!!
(meant especially for epileptics)!!!



Operating Determinations

- This device is not designed for permanent operation. Consistent operation breaks will ensure that the device will serve you for a long time without defects.
- The minimum distance between light-output and the illuminated surface must be bigger than 1 meter.
- The maximum ambient temperature $t_a = 40^{\circ}\text{C}$ must never be exceeded.
- The relative humidity must not exceed 50 % with an ambient temperature of 40°C .
- If this device is operated in any other way, than the one described in this manual, the product may suffer damages and the warranty becomes void.
- Any other operation may lead to dangers like short-circuit, burns, electric shock, crash etc.

You endanger your own safety and the safety of others!

Rigging

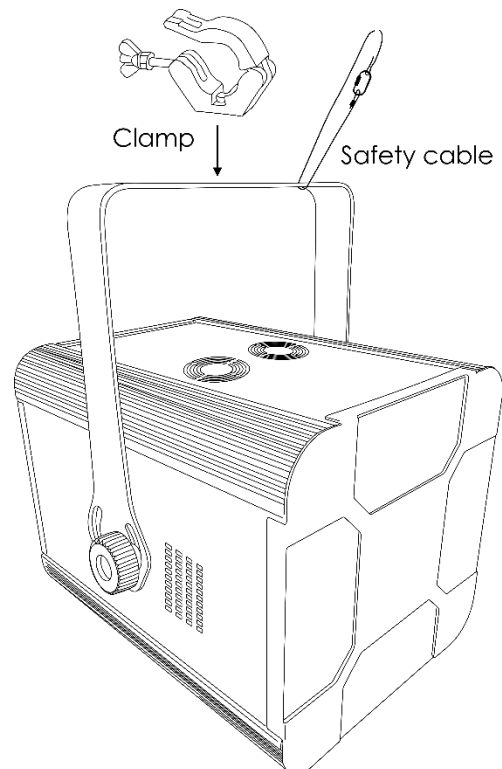
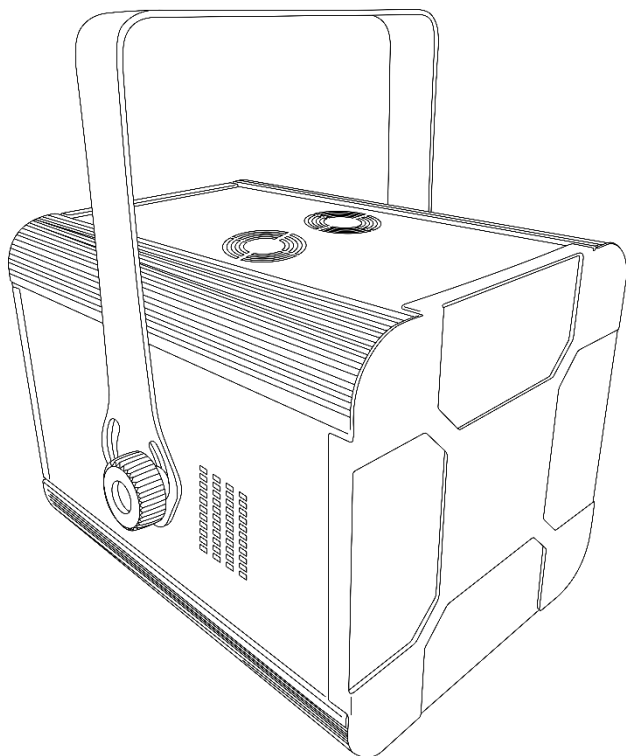
Please follow the European and national guidelines concerning rigging, trussing and all other safety issues.

Do not attempt the installation yourself!

Always let the installation be carried out by an authorized dealer!

Procedure:

- If the Airstrike is lowered from the ceiling or high joists, professional trussing systems have to be used.
- Use a clamp to mount the Airstrike, with the mounting-bracket, to the trussing system.
- The Airstrike must never be fixed swinging freely in the room.
- The installation must always be secured with a safety attachment, e.g. an appropriate safety net or safety-cable.
- When rigging, derigging or servicing the projector, always make sure, that the area below the installation place is blocked and staying in the area is forbidden.




The Airstrike can be placed on a flat stage floor or be mounted to any kind of truss, with a clamp.

Improper installation can cause serious damage to people and property!

Connection with the mains

Connect the device to the mains with the power-plug.

Always pay attention, that the right color cable is connected to the right place.

International	EU Cable	UK Cable	US Cable	Pin
L	BROWN	RED	YELLOW/COPPER	PHASE
N	BLUE	BLACK	SILVER	NEUTRAL
	YELLOW/GREEN	GREEN	GREEN	PROTECTIVE GROUND

Make sure that the device is always connected properly to the earth!

Improper installation can cause serious damage to people and property!

**Return Procedure**

Returned merchandise must be sent prepaid and in the original packing, call tags will not be issued. Package must be clearly labeled with a Return Authorization Number (RMA number). Products returned without an RMA number will be refused. Highlite will not accept the returned goods or any responsibility. Call Highlite 0031-455667723 or mail aftersales@highlite.nl and request an RMA prior to shipping the fixture. Be prepared to provide the model number, serial number and a brief description of the cause for the return. Be sure to properly pack fixture, any shipping damage resulting from inadequate packaging is the customer's responsibility. Highlite reserves the right to use its own discretion to repair or replace product(s). As a suggestion, proper UPS packing or double-boxing is always a safe method to use.

Note: If you are given an RMA number, please include the following information on a piece of paper inside the box:

- 01) Your name.
- 02) Your address.
- 03) Your phone number.
- 04) A brief description of the symptoms.

Claims

The client has the obligation to check the delivered goods immediately upon delivery for any shortcomings and/or visible defects, or perform this check after our announcement that the goods are at their disposal. Damage incurred in shipping is the responsibility of the shipper; therefore the damage must be reported to the carrier upon receipt of merchandise.

It is the customer's responsibility to notify and submit claims with the shipper in the event that a fixture is damaged due to shipping. Transportation damage has to be reported to us within one day after receipt of the delivery.

Any return shipment has to be made post-paid at all times. Return shipments must be accompanied with a letter defining the reason for return shipment. Non-prepaid return shipments will be refused, unless otherwise agreed in writing.

Complaints against us must be made known in writing or by fax within 10 working days after receipt of the invoice. After this period complaints will not be handled anymore.

Complaints will only then be considered if the client has so far complied with all parts of the agreement, regardless of the agreement of which the obligation is resulting.

Description of the device

Features

The Showtec Airstrike is a light fixture with high output and great effects.

- Input voltage: 100-240V AC, 60/50Hz
- Power consumption: 265W
- Light source: Philips MSD 5R lamp
- DMX modes: 10 channels
- Mirrors: 4 mirrors
- Mirror angle: 60°
- Color wheel: 7 colors + white
- Gobo wheel: 14 metal gobos + open
- DMX-control via standard DMX-controller
- Onboard: LED display for easy setup
- Control modes: Auto run, Manual mode, Sound-controlled, Master/Slave, DMX-512
- Dimmer: 0-100%
- Strobe: 1-5 Hz
- Housing: Die-cast aluminum
- Power connector: IEC power connector
- Data connectors: 3-pin XLR IN, 3-pin XLR OUT
- IP rating: IP20
- Cooling: Cooling fan
- Spare Lamp 5R ordercode 80988 / 81013
- Fuse: F5AL/250V
- Dimensions: 300 x 285 x 340 mm (LxWxH)
- Weight: 9,4 kg

Frontside

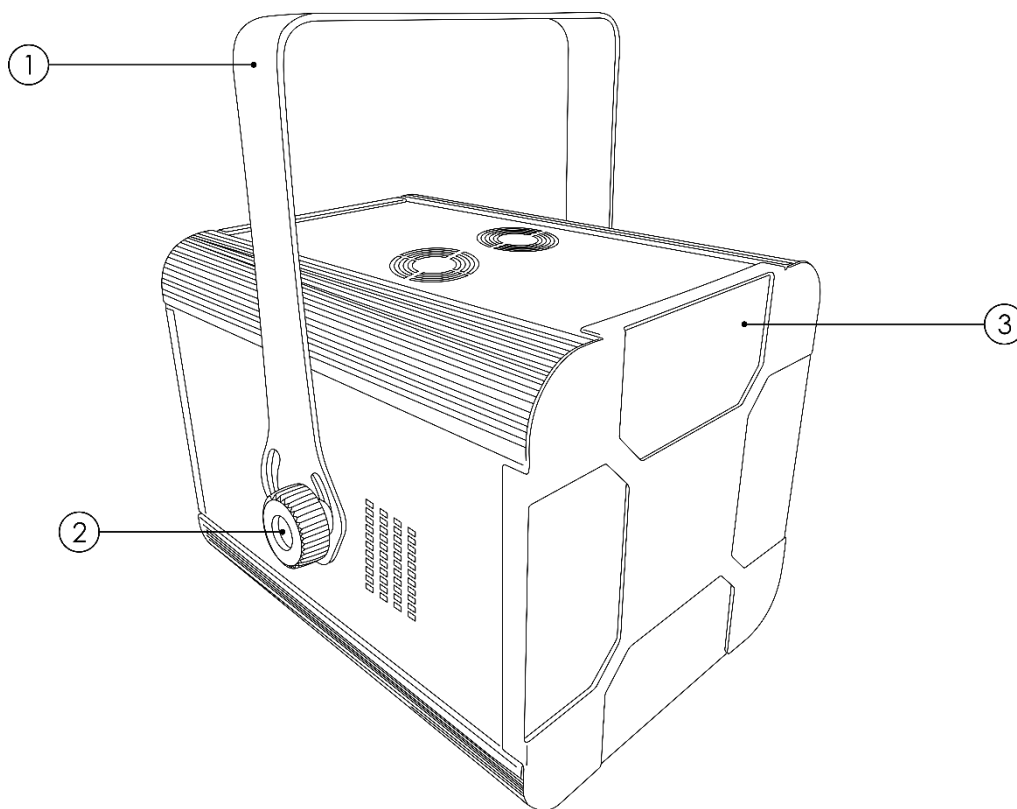


Fig. 01

- 01) Mounting bracket with inclination screw
02) Adjustment screw
03) Mirror

Backside

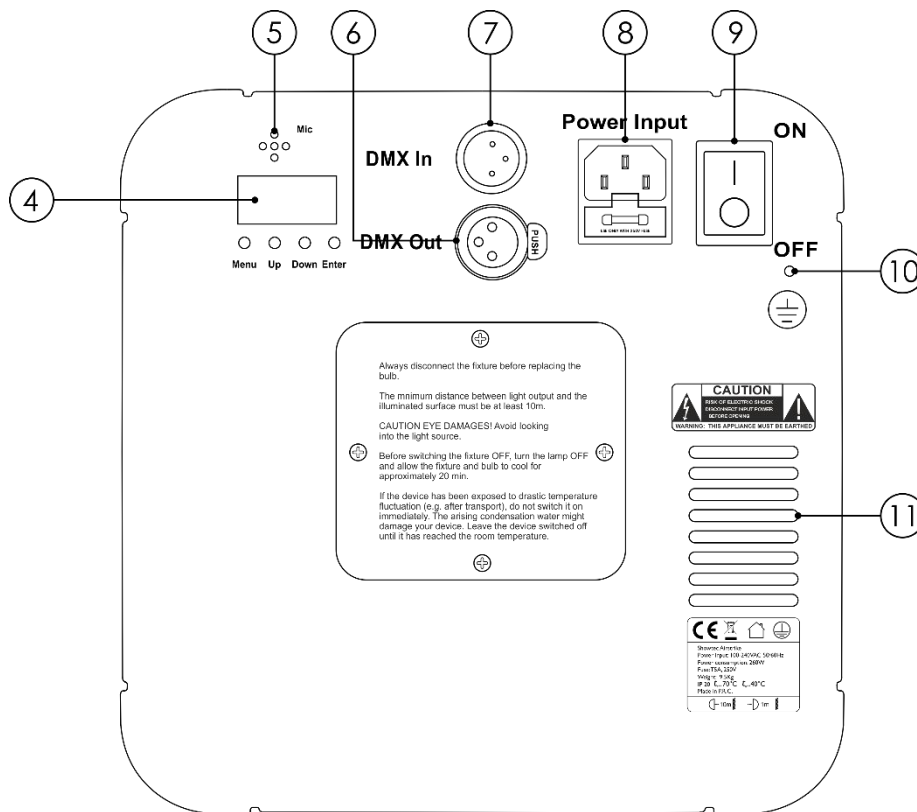


Fig. 02

- 04) LED display + menu buttons
- 05) Built-in microphone
- 06) 3-pin DMX signal connector IN
- 07) 3-pin DMX signal connector OUT
- 08) IEC power connector 100-240V AC + fuse F5AL/250V
- 09) Power switch ON/OFF
- 10) Ground/earth connection
- 11) Air intake grill

Installation

Remove all packing materials from the Airstrike. Check if all foam and plastic padding is removed. Connect all cables.

Do not supply power before the whole system is set up and connected properly.
Always disconnect from electric mains power supply before cleaning or servicing.
Damages caused by non-observance are not subject to warranty.

Installing the Lamp

The Showtec Airstrike uses the 5R (ordercode 80988 / 81013) reflectorbulb as manufactured by all popular manufacturers. Use only the appropriate lamp for your unit.

Note that, product versions that use other lamps, may be offered in the future. Check your product specification label for information.

Always disconnect from electric mains power supply before changing lamps.

The lamp has to be replaced when it is damaged or deformed due to the heat.

Do not install lamps with a higher wattage! Lamps with a higher wattage generate temperatures the device was not designed for.

Damages caused by non-observance are not subject to warranty.

Procedure:

- 01) Loosen the 4 screws on the back of the housing.
- 02) Gently remove the small metal housing.
- 03) Read lamp instructions. Do not touch the lamp bulb glass. (See Figure 3.). Oil on hands shortens the lamp life. (If you touch the bulb glass, wipe off the glass with a clean, lint-free towel and rubbing alcohol.).
- 04) Insert the lamp into the lamp socket.
- 05) Put the lamp cover back and fasten the screws snugly.

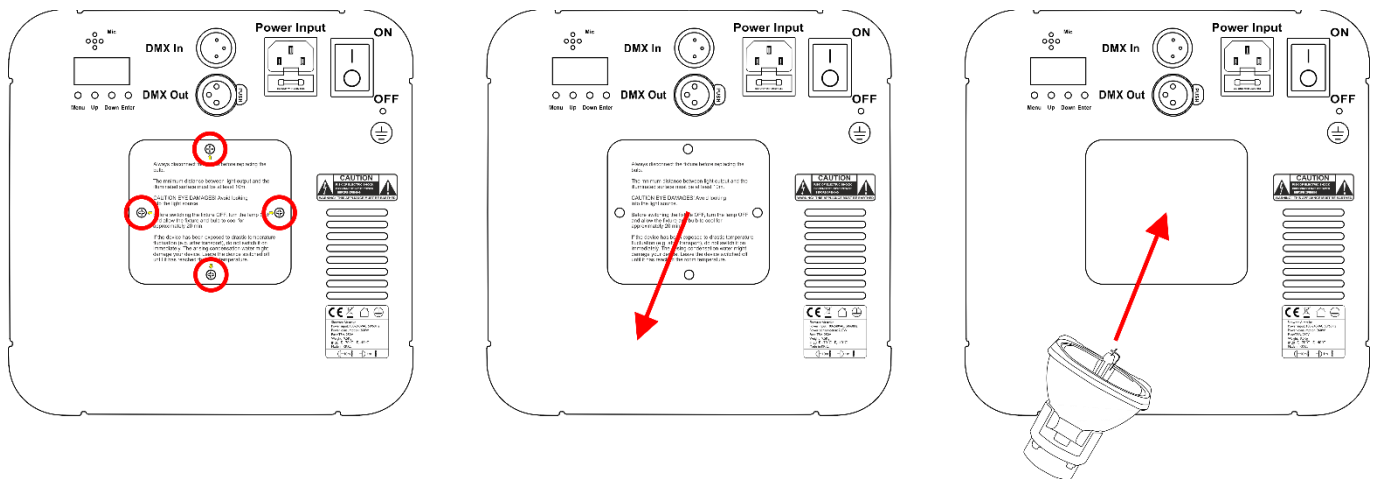


Fig. 03

Set Up and Operation

Follow the directions below, as they pertain to your preferred operation mode.

Before plugging the unit in, always make sure that the power supply matches the product specification voltage. Do not attempt to operate a 120V specification product on 230V power, or vice versa.

Control Modes

There are 5 modes:

- Auto run mode
- Manual mode
- Sound-controlled mode
- Master / Slave
- DMX-512 (10CH)

One Airstrike (Auto run mode and Sound-controlled mode)

- 01) Fasten the effect light onto firm trussing. Leave at least 0,5 meter on all sides for air circulation.
- 02) Always use a safety cable (ordercode 70140 / 70141).
- 03) Plug the end of the electric mains power cord into a proper electric power supply socket.
- 04) When the Airstrike is not connected with a DMX cable, it functions as a stand-alone device.
- 05) Please see page 14-15 for more information.

One Airstrike (Manual Mode)

- 01) Fasten the effect light onto firm trussing. Leave at least 0,5 meter on all sides for air circulation.
- 02) Always use a safety cable (ordercode 70140 / 70141).
- 03) Plug the end of the electric mains power cord into a proper electric power supply socket.
- 04) When the Airstrike is not connected with a DMX-cable, it functions as a stand-alone device.
- 05) Please see page 16 for more information about the Manual mode.

Multiple Airstrikes (Master / Slave Control)

- 01) Fasten the effect light onto firm trussing. Leave at least 0,5 meter on all sides for air circulation.
- 02) Always use a safety cable (ordercode 70140 / 70141).
- 03) Plug the end of the electric mains power cord into a proper electric power supply socket.
- 04) Use a 3-pin XLR cable to connect the Airstrikes.

The pins:



- 01) Earth
- 02) Signal (-)
- 03) Signal (+)

- 05) Link the units as shown in (fig.04). Connect a DMX signal cable from the first unit's DMX "out" socket to the second unit's "in" socket. Repeat this process to link the second, third, and fourth units. This means that you can set your desired operation mode on the master device and all slave devices will react the same as the master device.

Multiple Airstrikes (Master / Slave Set Up)

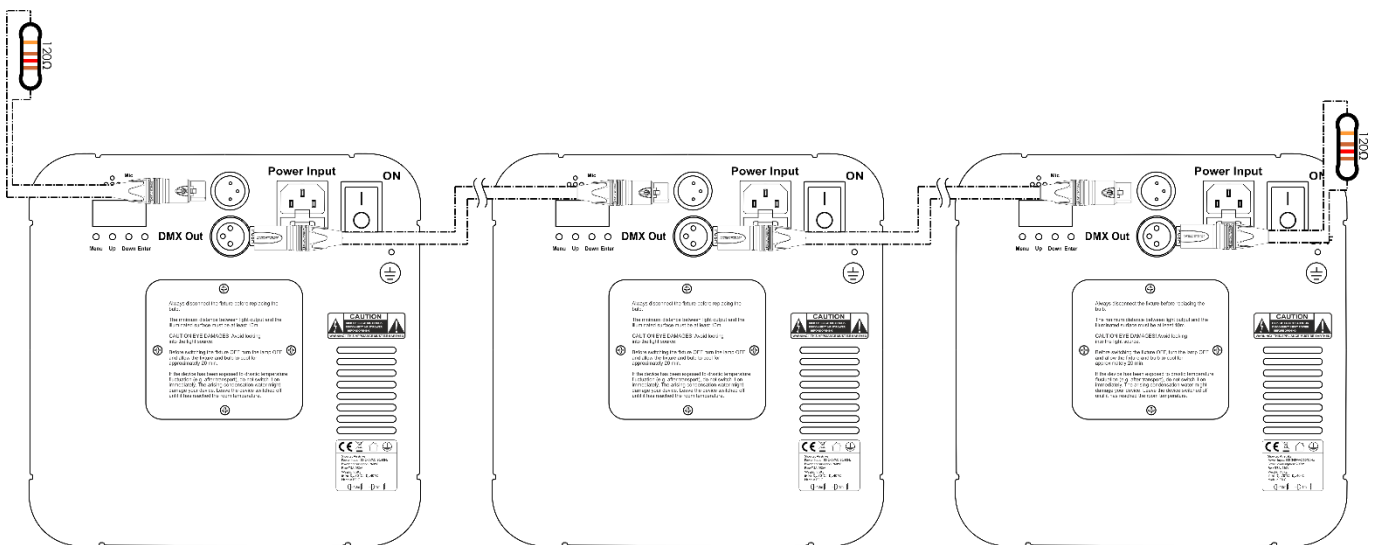
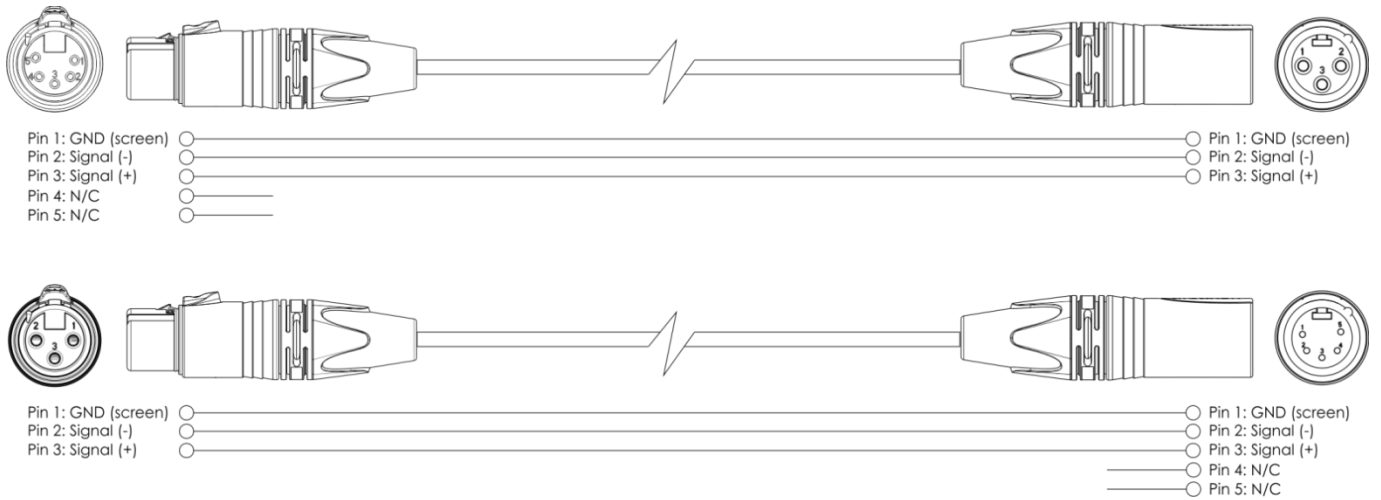


Fig. 04

Multiple Airstrikes (DMX Control)

- 01) Fasten the effect light onto firm trussing. Leave at least 0,5 meter on all sides for air circulation.
- 02) Always use a safety cable (ordercode 70140 / 70141).
- 03) Plug the end of the electric mains power cord into a proper electric power supply socket.
- 04) Use a 3-pin XLR cable to connect the Airstrikes and other devices.



- 05) Link the units as shown in (fig.05). Connect a DMX signal cable from the first unit's DMX "out" socket to the second unit's "in" socket. Repeat this process to link the second, third, and fourth units.
- 06) Supply electric power: Plug electric mains power cords into each unit's IEC socket, then plug the other end of the mains power cord into proper electric power supply sockets, starting with the first unit. Do not supply power before the whole system is set up and connected properly.

Multiple Airstrikes (DMX Set Up)

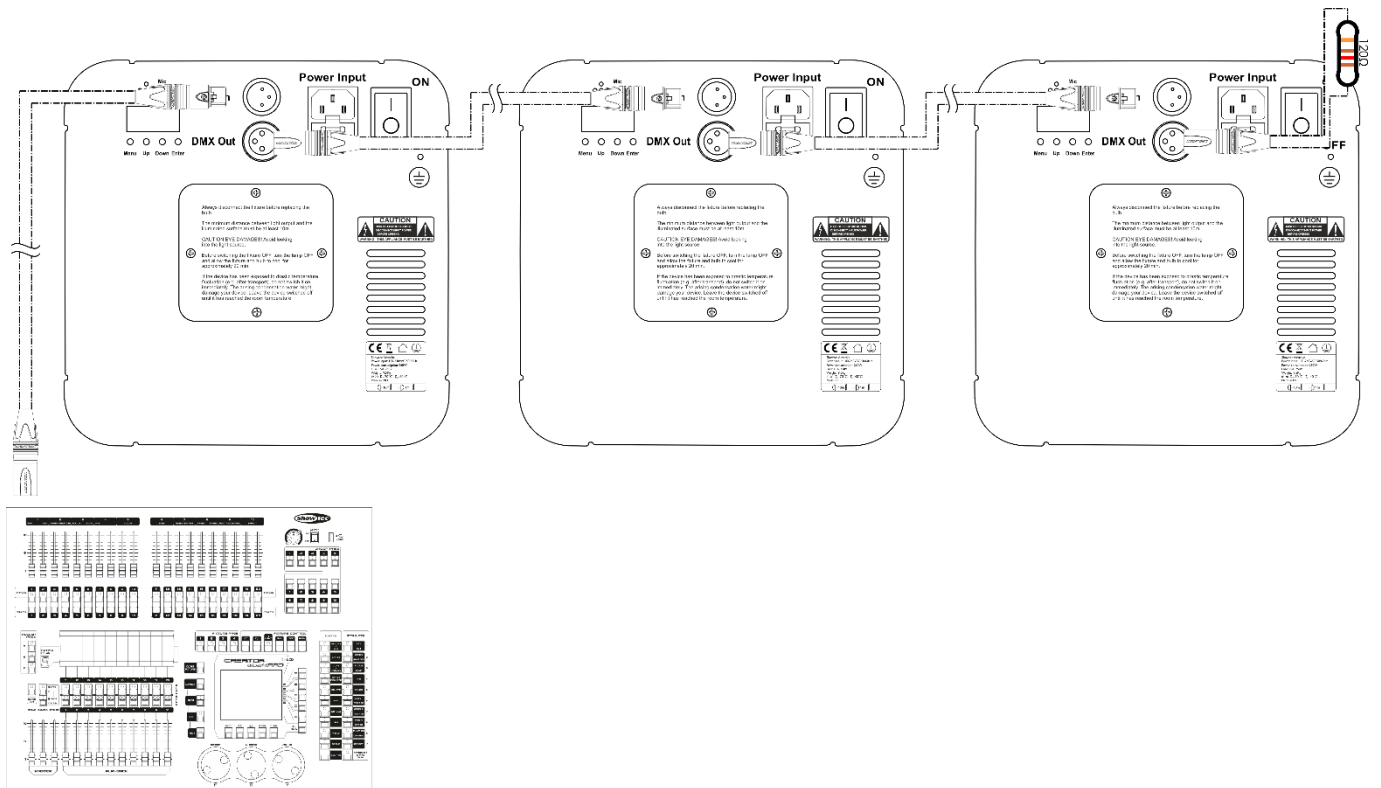


Fig. 05

Fixture Linking

You will need a serial data link to run light shows of one or more fixtures using a DMX-512 controller or to run synchronized shows on two or more fixtures set to a master / slave operating mode. The combined number of channels required by all the fixtures on a serial data link determines the number of fixtures the data link can support.

Important: Fixtures on a serial data link must be daisy chained in one single line. To comply with the EIA-485 standard no more than 30 devices should be connected on one data link. Connecting more than 30 fixtures on one serial data link without the use of a DMX optically isolated splitter may result in deterioration of the digital DMX signal.
Maximum recommended DMX data link distance: 100 meters
Maximum recommended number of Airstrikes on a DMX data link: 30 fixtures



Data Cabling

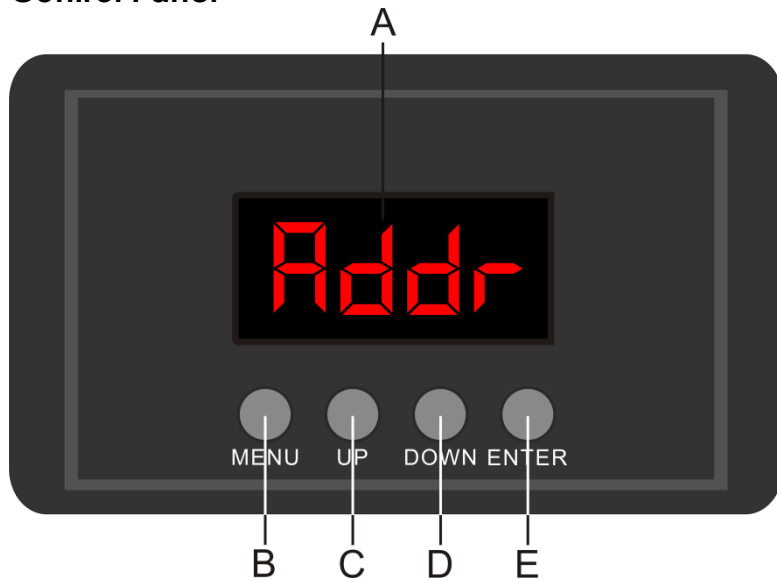
To link fixtures together you must obtain data cables. You can purchase DAP Audio certified DMX cables directly from a dealer/distributor or construct your own cable. If you choose to create your own cable please use data-grade cables that can carry a high quality signal and are less prone to electromagnetic interference.

DAP Audio DMX Data Cables

- DAP Audio Basic microphone cable for allround use. bal. XLR/M 3-pin > XLR/F 3-pin. **Ordercode** FL01150 (1,5 m), FL013 (3 m), FL016 (6 m), FL0110 (10 m), FL0115 (15 m), FL0120 (20 m).
- DAP Audio X-type data cable XLR/M 3-pin > XLR/F 3-pin. **Ordercode** FLX0175 (0,75 m), FLX01150 (1,5 m), FLX013 (3 m), FLX016 (6 m), FLX0110 (10 m).
- DAP Audio cable for the demanding user with exceptional audio-qualities and connector made by Neutrik®. **Ordercode** FL71150 (1,5 m), FL713 (3 m), FL716 (6 m), FL7110 (10 m).
- DAP Audio cable for the demanding user with exceptional audio-qualities and connector made by Neutrik®. **Ordercode** FL7275 (0,75 m), FL72150 (1,5 m), FL723 (3 m), FL726 (6 m), FL7210 (10 m).
- DAP Audio 110 Ohm cable with digital signal transmission. **Ordercode** FL0975 (0,75 m), FL09150 (1,5 m), FL093 (3 m), FL096 (6 m), FL0910 (10 m), FL0915 (15 m), FL0920 (20 m).

The Airstrike can be operated with a controller in **control mode** or without the controller in **stand-alone mode**.

Control Panel



- A) LED display
- B) MENU button
- C) UP button
- D) DOWN button
- E) ENTER button

Fig. 06

Control Mode

The fixtures are individually addressed on a data-link and connected to the controller. The fixtures respond to the DMX signal from the controller.

DMX Addressing

The control panel on the front side of the base allows you to assign the DMX fixture address, which is the first channel from which the Airstrike will respond to the controller.

Please note when you use the controller, the unit has **10** channels.

When using multiple Airstrikes make sure you set the DMX addresses right.

Therefore, the DMX address of the first Airstrike should be **1(001)**; the DMX address of the second Airstrike should be **1+10=17 (011)**; the DMX address of the third Airstrike should be **11+10=21 (021)**, etc.

Please, be sure that you do not have any overlapping channels in order to control each Airstrike correctly.

If two or more Airstrikes are addressed similarly, they will work similarly.

Controlling:

After having addressed all Airstrike fixtures, you may now start operating these via your lighting controller.

Note: After switching on, the Airstrike will automatically detect whether DMX 512 data is received or not. If there is no data received at the DMX-input, the display text on the control panel will not flash.

The problem may be:

- The XLR cable from the controller is not connected with the input of the Airstrike.
- The controller is switched off or defective, the cable or connector is defective, or the signal wires are swapped in the input connector.

Note: It's necessary to insert a XLR termination plug (with 120 Ohm) in the last fixture in order to ensure proper transmission on the DMX data link.

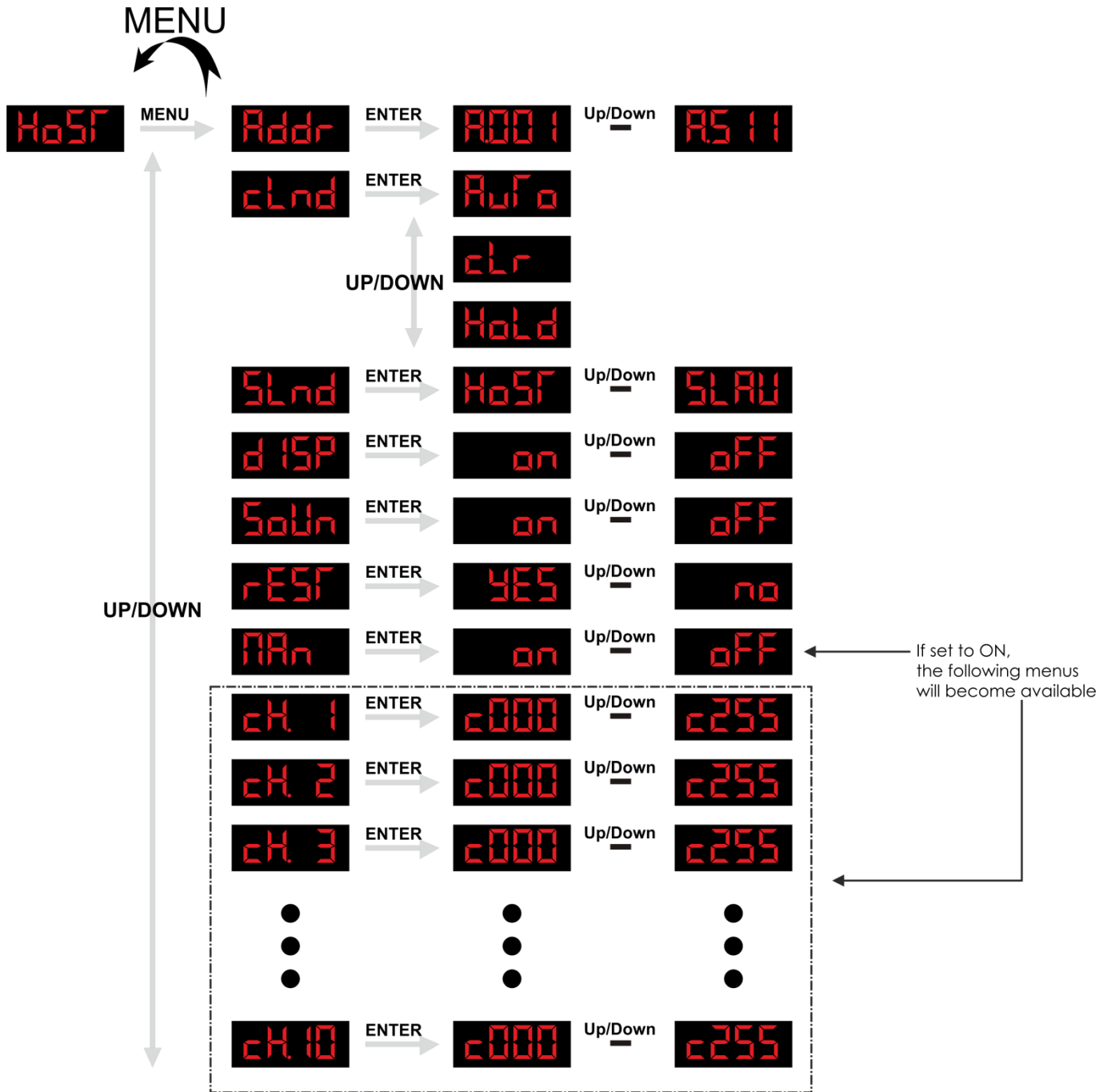
⚠ Display Off after 10 seconds ⚠

When no button is pressed for 10 seconds, the display will turn off.

To light up the display, you have to press the MENU, UP, DOWN or ENTER button.

Once you have pressed the button, the display will light up.

Menu Overview



Main Menu Options

Addr	DMX-512 mode
cLnd	Sound options
SLnd	Master/Slave mode
dISP	Display options
SoLn	Sound-controlled mode
rESr	Reset
MAN	Manual mode

1. Startup/Auto run mode

- 01) Upon startup, the display will show the current operation mode, for example **HoSt**.
- 02) Meanwhile, the device will perform its automatic show.
- 03) Press the **MENU** button to enter the main menu.

2. DMX-512 mode

With this menu you can set the DMX starting address.

- 01) Press the **UP/DOWN** buttons until the display shows **Addr**.
- 02) Press the **ENTER** button to open the menu.
- 03) Press the **UP/DOWN** buttons to set the desired DMX starting address. The adjustment range is between **ADD 1** ^{Up/Down} **AS 11**.

3. Sound options

With this menu you can set the device's behavior, while in Sound-controlled mode.

- 01) Press the **UP/DOWN** buttons until the display shows **cLnd**.
- 02) Press the **ENTER** button to open the menu.
- 03) Press the **UP/DOWN** buttons to select one of the 3 functions:

Auto	If there is no music, the device will run a built-in program.
CLr	If there is no music, the device will black out.
HoLd	If there is no music, the device will return to the previously active mode.
- 04) Press the **ENTER** button to confirm your choice.
- 05) If the Sound-controlled mode is switched ON (see page 14), the device will perform one of the 3 actions described above.

4. Master/Slave mode

With this menu you can set the device as a master or a slave device.

- 01) Press the **UP/DOWN** buttons until the display shows **SLnd**.
- 02) Press the **ENTER** button to open the menu.
- 03) Press the **UP/DOWN** buttons to choose one of the 2 options: **MaSt** (master) or **SLAV** (slave).
- 04) If you have chosen **MaSt**, the device will be classified as a master device.
- 05) If you have chosen **SLAV**, the device will be classified as a slave device and will act the same as the master device.
- 06) Press the **ENTER** button to confirm your choice.

5. Display options

With this menu you can set the display options.

- 01) Press the **UP/DOWN** buttons until the display shows **dISP**.
- 02) Press the **ENTER** button to open the menu.
- 03) Press the **UP/DOWN** buttons to choose between ON and OFF.
- 04) If you have chosen ON, the display will remain continuously on.
- 05) If you have chosen OFF, the display will turn off if no button is pressed within 10 seconds.
- 06) Press the **ENTER** button to confirm your choice.

6. Sound-controlled mode

With this menu you can set Sound-controlled mode.

- 01) Press the **UP/DOWN** buttons until the display shows **SoLn**.
- 02) Press the **ENTER** button to open the menu.
- 03) Press the **UP/DOWN** buttons to choose between ON and OFF.
- 04) If you have chosen ON, the device will react to the beat of the background music.
- 05) Press the **ENTER** button to confirm your choice.

7. Reset

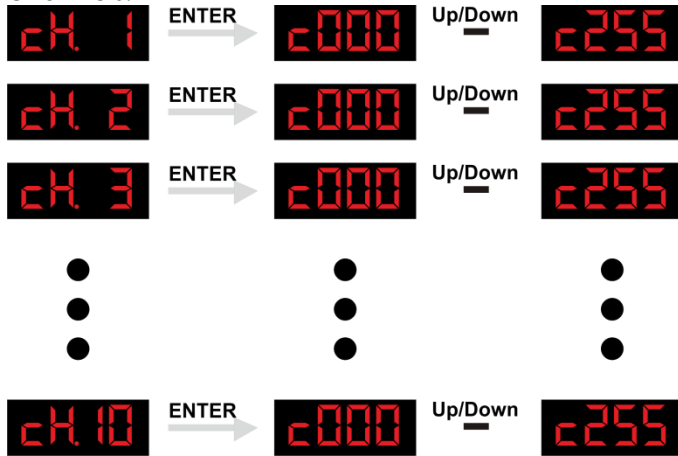
With this menu you can reset the device's settings.

- 01) Press the **UP/DOWN** buttons until the display shows **rEST**.
- 02) Press the **ENTER** button to open the menu.
- 03) Press the **UP/DOWN** buttons to choose between YES and NO.
- 04) If you have chosen YES, press the **ENTER** button to confirm. The device will now reset the settings.
- 05) If you have chosen NO, press the **ENTER** button to confirm. The device will return to the main menu.

8. Manual mode

With this menu you can set Manual mode.

- 01) Press the **UP/DOWN** buttons until the display shows **MAN**.
- 02) Press the **ENTER** button to open the menu.
- 03) Press the **UP/DOWN** buttons to choose between ON and OFF.
- 04) If you have chosen ON, press the **ENTER** button to confirm.
- 05) Now, while in the main menu, press the UP/DOWN buttons until the display shows one of the 10 DMX channels.



- 06) Press the **ENTER** button to edit the desired channel.
- 07) Press the **UP/DOWN** button to set the value of the desired channel. The adjustment range for each channel is between **000** ^{Up/Down} **255**.
- 08) Press the **ENTER** button to save changes.
- 09) See below for the available DMX channels and their functions.

DMX Channels

10 channels

Channel 1 – Shutter/Strobe ⚠ **Dimmer must be open and CH10 must be set between 151-200** ⚠

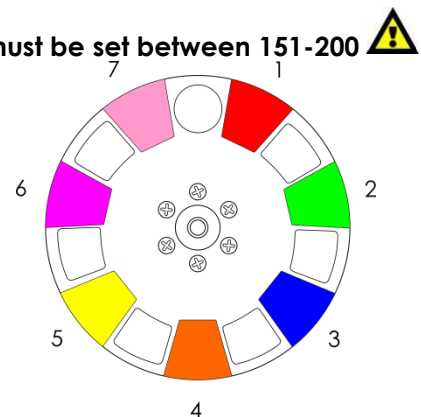
0-10	Shutter closed
11-39	Shutter open
40-240	Strobe effect, from slow to fast
241-255	Shutter open

Channel 2 – Dimmer

0-255	Gradual dimmer adjustment, from dark to brightest
-------	---

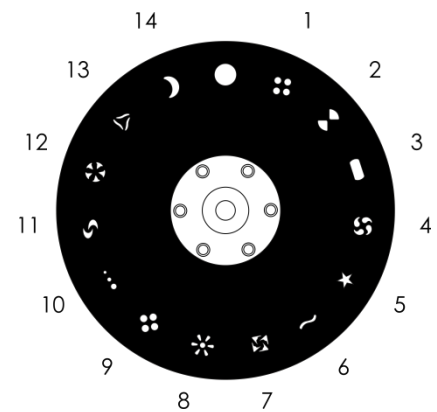
Channel 3 – Colors ⚠ **Dimmer and shutter must be open and CH10 must be set between 151-200** ⚠

0-15	White
16-31	Red
32-47	Green
48-63	Blue
64-79	Amber
80-95	Yellow
96-111	Magenta
112-127	Pink
128-191	Counterclockwise rotation, from fast to slow
192-255	Clockwise rotation, from slow to fast



Channel 4 – Static Gobo ⚠️ **CH1 and CH2 must be open and CH10 must be set between 151-200** ⚠️

0-4	Open
5-9	Gobo 1
10-14	Gobo 2
15-19	Gobo 3
20-24	Gobo 4
25-29	Gobo 5
30-34	Gobo 6
35-39	Gobo 7
40-44	Gobo 8
45-49	Gobo 9
50-54	Gobo 10
55-59	Gobo 11
60-64	Gobo 12
65-69	Gobo 13
70-74	Gobo 14
75	Gobo rotation at the highest speed
76-81	Gobo 1 shake effect, from slow to fast
82-87	Gobo 2 shake effect, from slow to fast
88-93	Gobo 3 shake effect, from slow to fast
94-99	Gobo 4 shake effect, from slow to fast
100-105	Gobo 5 shake effect, from slow to fast
106-111	Gobo 6 shake effect, from slow to fast
112-117	Gobo 7 shake effect, from slow to fast
118-123	Gobo 8 shake effect, from slow to fast
124-129	Gobo 9 shake effect, from slow to fast
130-135	Gobo 10 shake effect, from slow to fast
136-141	Gobo 11 shake effect, from slow to fast
142-147	Gobo 12 shake effect, from slow to fast
148-153	Gobo 13 shake effect, from slow to fast
154-158	Gobo 14 shake effect, from slow to fast
159-207	Clockwise rotation, from fast to slow
208-255	Counterclockwise rotation, from slow to fast



Channel 5 – Roller rotation

0-63	Gradual roller adjustment, 0-360°
64-67	Stop
68-127	Roller shake, from slow to fast
128-132	Stop
133-191	Clockwise roller rotation, from fast to slow
192-196	Stop
197-255	Counterclockwise roller rotation, from slow to fast

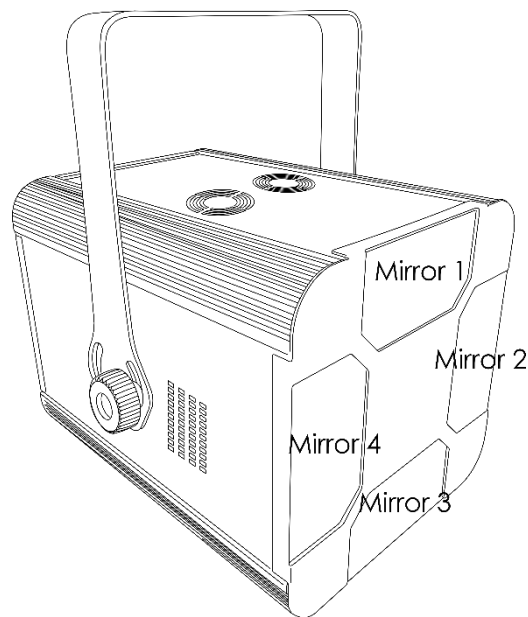


Fig. 07

Channel 6 – Mirror 1 Shake

0-127	Gradual mirror angle adjustment
128-159	Mirror shake with the biggest amplitude, from slow to fast
160-191	Mirror shake with the 2 nd biggest amplitude, from slow to fast
192-223	Mirror shake with the 3 rd biggest amplitude, from slow to fast
224-255	Mirror shake with the 4 th biggest amplitude, from slow to fast

Channel 7 – Mirror 2 Shake

0-127	Gradual mirror angle adjustment
128-159	Mirror shake with the biggest amplitude, from slow to fast
160-191	Mirror shake with the 2 nd biggest amplitude, from slow to fast
192-223	Mirror shake with the 3 rd biggest amplitude, from slow to fast
224-255	Mirror shake with the 4 th biggest amplitude, from slow to fast

Channel 8 – Mirror 3 Shake

0-127	Gradual mirror angle adjustment
128-159	Mirror shake with the biggest amplitude, from slow to fast
160-191	Mirror shake with the 2 nd biggest amplitude, from slow to fast
192-223	Mirror shake with the 3 rd biggest amplitude, from slow to fast
224-255	Mirror shake with the 4 th biggest amplitude, from slow to fast

Channel 9 – Mirror 4 Shake

0-127	Gradual mirror angle adjustment
128-159	Mirror shake with the biggest amplitude, from slow to fast
160-191	Mirror shake with the 2 nd biggest amplitude, from slow to fast
192-223	Mirror shake with the 3 rd biggest amplitude, from slow to fast
224-255	Mirror shake with the 4 th biggest amplitude, from slow to fast

Channel 10 – Functions

0-50	Not functional
51-100	Energy saving mode
101-150	Lamp OFF (after 5 seconds)
151-200	Lamp ON (after 5 seconds)
201-225	Auto run
226-230	Reset
231-255	Sound-controlled

Maintenance

The Showtec Airstrike requires almost no maintenance. However, you should keep the unit clean. Otherwise, the fixture's light-output will be significantly reduced. Disconnect the mains power supply and then wipe the cover with a damp cloth. Wipe the front glass panel clean with glass cleaner and a soft cloth. Do not use alcohol or solvents. The front glass panel will require weekly cleaning, as smoke-fluid tends to build up residues, reducing the light output very quickly. Do not immerse in liquid. Keep connections clean. Disconnect electric power, and then wipe the DMX connections with a damp cloth. Make sure connections are thoroughly dry before linking equipment or supplying electric power.

The operator has to make sure that safety-related and machine-technical installations are to be inspected by an expert after every year in the course of an acceptance test.

The operator has to make sure that safety-related and machine-technical installations are to be inspected by a skilled person once a year.

The following points have to be considered during the inspection:

- 01) All screws used for installing the device or parts of the device have to be tightly connected and must not be corroded.
- 02) There may not be any deformations on housings, fixations and installation spots.
- 03) Mechanically moving parts like axles, eyes and others may not show any traces of wearing.
- 04) The electric power supply cables must not show any damages or material fatigue.

Replacing the Fuse

Power surges, short-circuit or inappropriate electrical power supply may cause a fuse to burn out.

If the fuse burns out, the product will not function whatsoever. If this happens, follow the directions below:

- 01) Unplug the unit from electric power source.
- 02) Insert a flat-headed screwdriver into a slot in the fuse cover. Gently pry up the fuse cover. The fuse will come out.
- 03) Remove the used fuse. If brown or unclear, it is burned out.
- 04) Insert the replacement fuse into the holder. Reinsert the fuse cover. Be sure to use a fuse of the same type and specification. See the product specification label for details.

Static Gobo wheel and Color wheel

Static Gobo Wheel

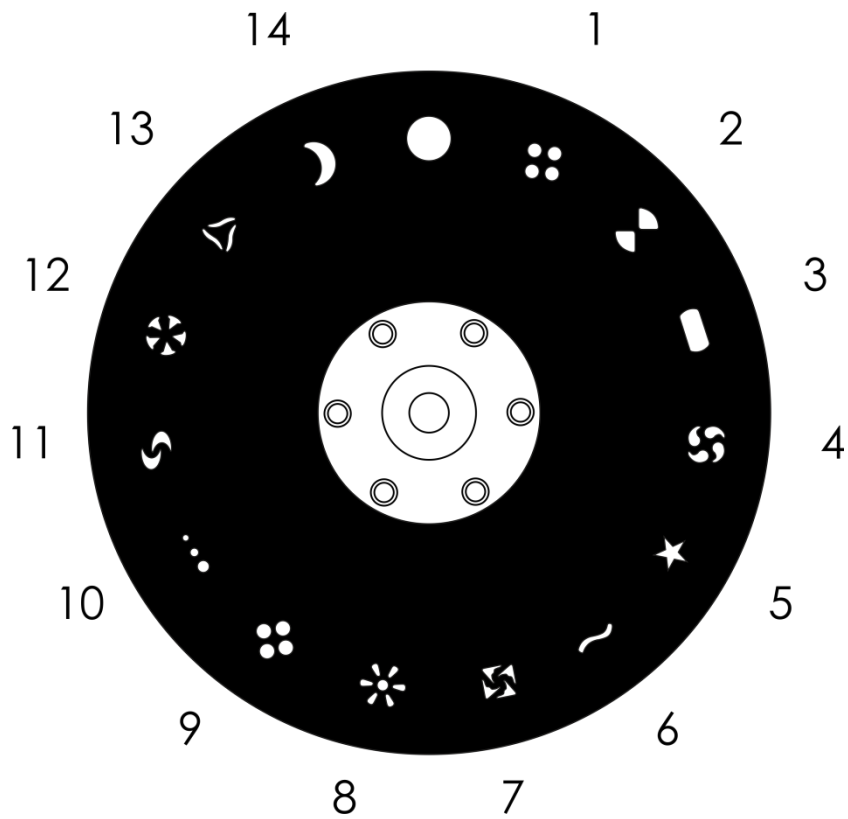


Fig. 08

Color wheel

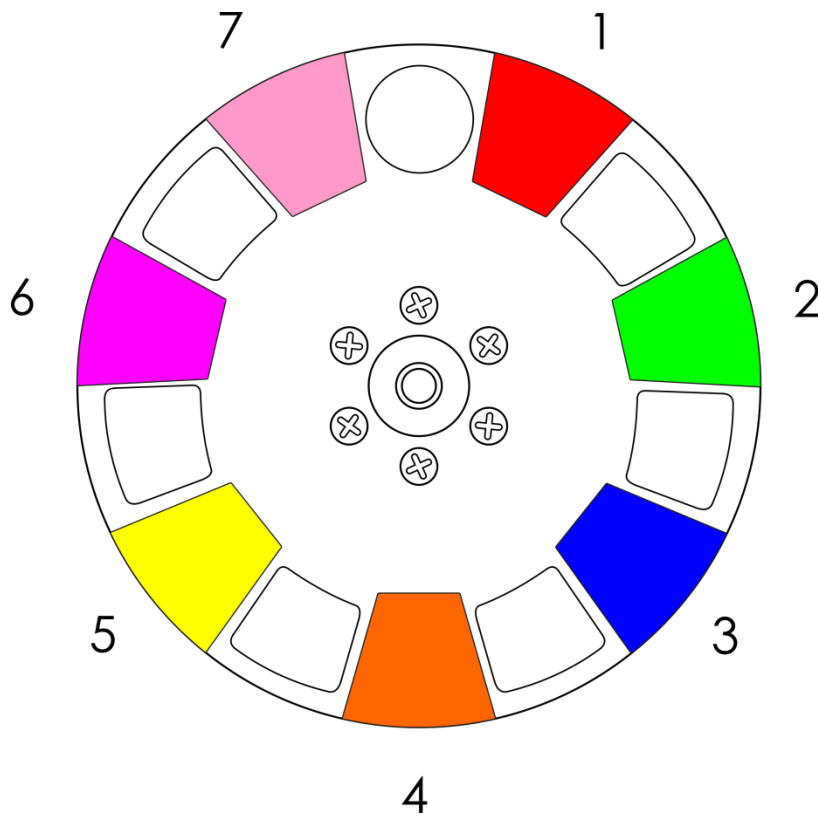


Fig. 09

Troubleshooting

This troubleshooting guide is meant to help solve simple problems.

If a problem occurs, carry out the steps below in sequence until a solution is found. Once the unit operates properly, do not carry out following steps.

Changing the Lamp

- 01) Disconnect mains power supply. Loosen the 4 screws on the back of the housing..
- 02) Gently remove the small metal housing.
- 03) Follow directions for installing a new lamp, page 8.

No Light

If the light effect does not operate properly, refer servicing to a technician.

Suspect three potential problem areas as: the power supply, the fuse and the lamp.

- 01) Power supply. Check if the unit is plugged into an appropriate power supply.
- 02) The fuse. Replace the fuse. See page 19 for replacing the fuse.
- 03) The lamp. Replace the old lamp with a new one with the same specifications. See page 8 for replacing the lamp.
- 04) If all of the above appears to be O.K., plug the unit in again.
- 05) If you are unable to determine the cause of the problem, do not open the Airstrike, as this may damage the unit and the warranty will become void.
- 06) Return the device to your Showtec dealer.

No Response to DMX

Suspect the DMX cable or connectors, a controller malfunction, a light effect DMX card malfunction.

- 01) Check the DMX setting. Make sure that DMX addresses are correct.
- 02) Check the DMX cable: Unplug the unit; change the DMX cable; then reconnect to electrical power. Try your DMX control again.
- 03) Determine whether the controller or light effect is at fault. Does the controller operate properly with other DMX products? If not, take the controller in for repair. If so, take the DMX cable and the light effect to a qualified technician.

Problem	Probable cause(s)	Solution
One or more fixtures do not function at all.	No power to the fixture.	<ul style="list-style-type: none"> • Check that power is switched on and cables are plugged in.
	Primary fuse blown.	<ul style="list-style-type: none"> • Replace the fuse
Fixtures reset correctly, but all respond erratically or not at all to the controller.	The controller is not connected.	<ul style="list-style-type: none"> • Connect controller.
	3-pin XLR Out of the controller does not match XLR Out of the first fixture on the link (i.e. signal is reversed).	<ul style="list-style-type: none"> • Install a phase reversing cable between the controller and the first fixture on the link.
Fixtures reset correctly, but some respond erratically or not at all to the controller.	Poor data quality	<ul style="list-style-type: none"> • Check data quality. If much lower than 100 percent, the problem may be a bad data link connection, poor quality or broken cables, missing termination plug, or a defective fixture disturbing the link.
	Bad data link connection	<ul style="list-style-type: none"> • Inspect connections and cables. Correct poor connections. Repair or replace damaged cables.
	Data link not terminated with 120 Ohm termination plug.	<ul style="list-style-type: none"> • Insert termination plug in output jack of the last fixture on the link.
	Incorrect addressing of the fixtures.	<ul style="list-style-type: none"> • Check address setting.
	One of the fixtures is defective and disturbs data transmission on the link.	<ul style="list-style-type: none"> • Bypass one fixture at a time until normal operation is regained: unplug both connectors and connect them directly together. • Have the defective fixture serviced by a qualified technician.
No light or lamp cuts out intermittently	3-pin XLR Out on the fixtures does not match (pins 2 and 3 reversed).	<ul style="list-style-type: none"> • Install a phase-reversing cable between the fixtures or swap pin 2 and 3 in the fixture, that behaves erratically.
	Fixture is too hot.	<ul style="list-style-type: none"> • Allow fixture to cool. • Clean fan. • Make sure air vents at control panel and front lens are not blocked • Turn up the air conditioning .
	Lamp missing or blown	<ul style="list-style-type: none"> • Disconnect fixture and replace the broken lamp.
	The power supply settings do not match local AC voltage and frequency.	<ul style="list-style-type: none"> • Disconnect fixture. Check settings and correct if necessary.

Product Specification

Model:	Showtec Airstrike
Input Voltage:	100-240V AC, 60/50Hz
Power consumption:	265W
DMX linking:	30pcs
Fuse:	F5AL/250V
Dimensions:	300 x 285 x 340 mm (LxWxH)
Weight:	9,4 kg
Operating and Programming:	
Signal pin OUT:	Pin 1 (earth), pin 2 (-), pin 3 (+)
DMX Mode:	10 channels
Signal input:	3-pin XLR IN
Signal output:	3-pin XLR OUT
Lamp:	
Allowed lamp models*:	
Philips MSD Platinum 5R (2000 hr; 8000K) ordercode 80988	
Sirius HRI 190W (5R) (3000 hr; 8200K) ordercode 81013	
Electro-mechanical effects:	
Light source:	Philips MSD 5R lamp
Mirrors:	4 mirrors
Mirror angle:	60°
Color wheel:	7 colors + white
Gobo wheel:	14 metal gobos + open
Dimmer:	0-100%
Strobe:	0-5 Hz
IP rating:	IP20
Housing:	Specially designed housing ensures an optimum heat dissipation during operation
DMX control:	via standard DMX-controller
Onboard:	LED display for easy setup
Control:	Auto run, Manual mode, Sound-controlled, Master/Slave, DMX-512
Housing:	Die-cast aluminum
Connections:	Dedicated IEC connector & data connector
Cooling:	Cooling fan
Max. ambient temperature t_a :	40°C
Max. housing temperature t_B :	80°C
Minimum distance:	
Minimum distance from flammable surfaces:	0,5 m
Minimum distance to lighted object:	1 m

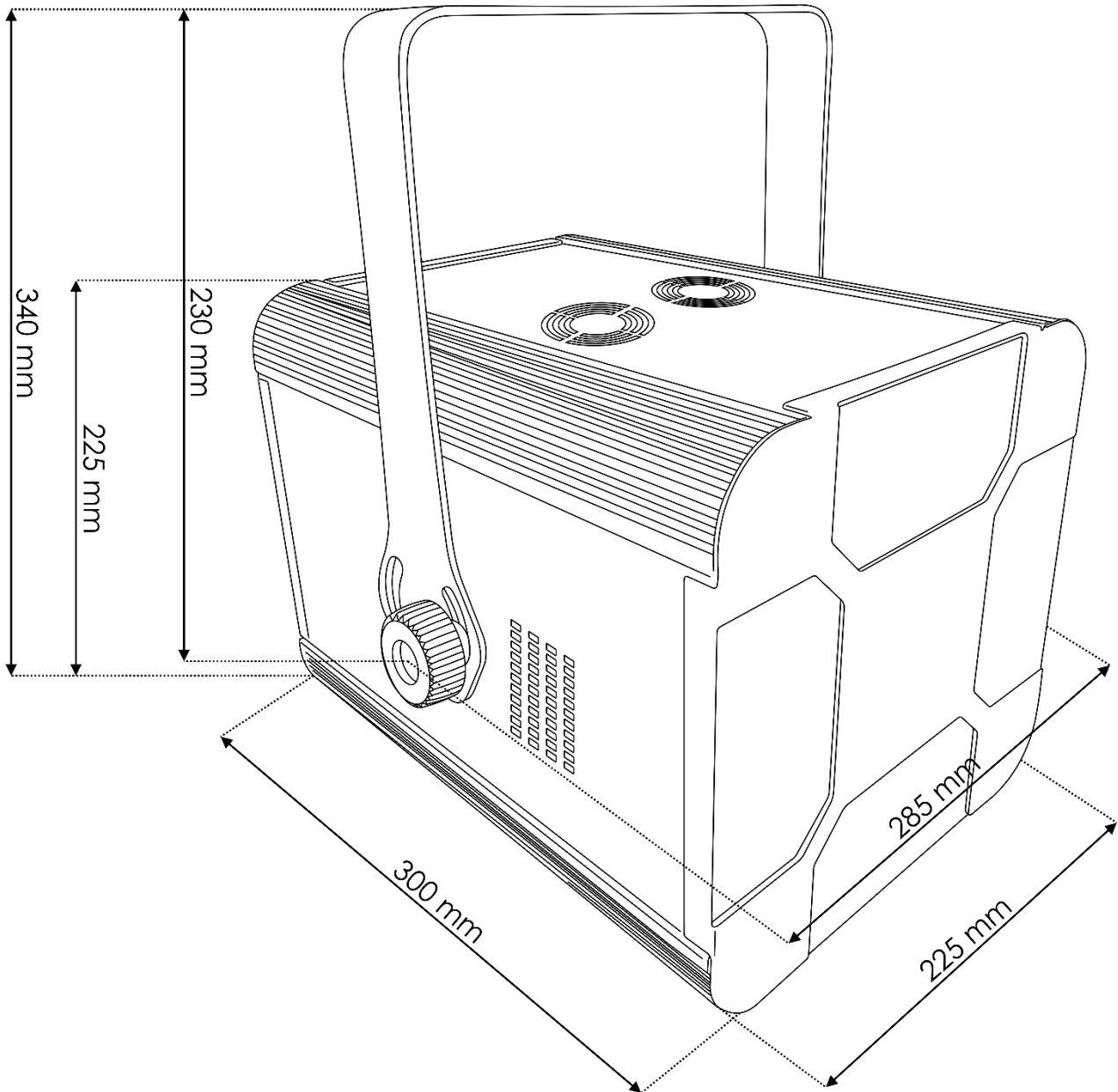
*: Versions for other lamps may be produced. Please check the specification label on your product.

Design and product specifications are subject to change without prior notice.



Website: www.Showtec.info
 Email: service@highlite.com

Dimensions





©2016 Showtec