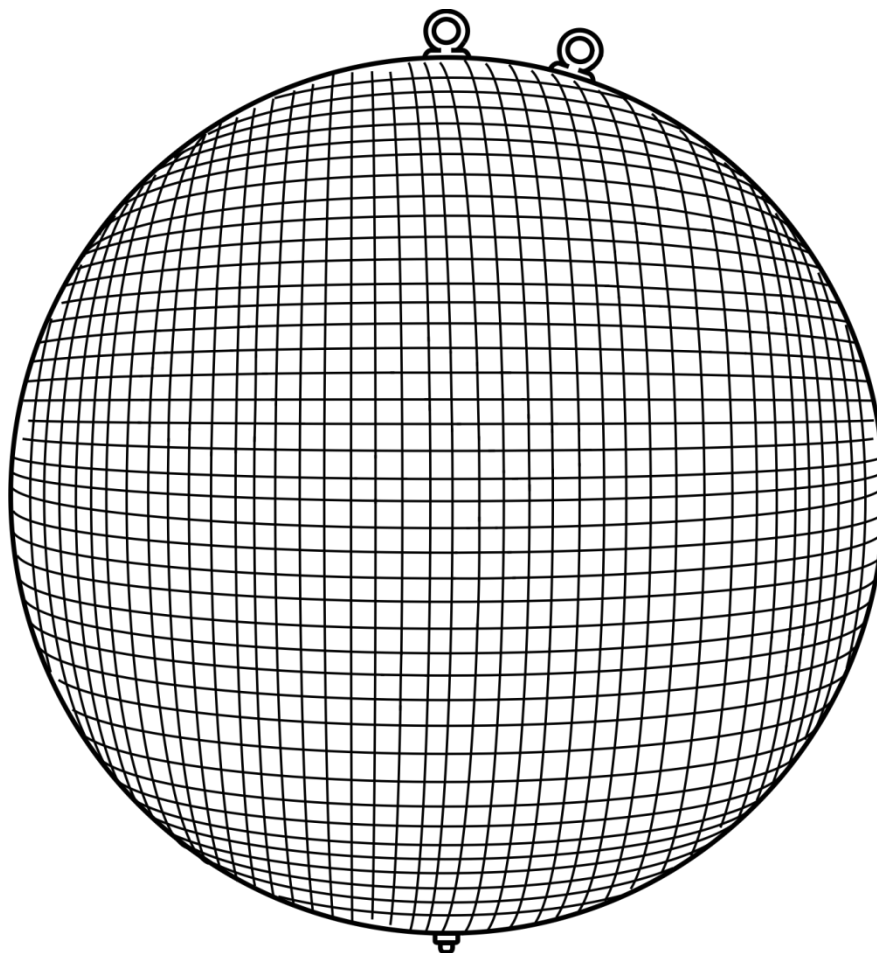




**MANUAL**



**ENGLISH**

**Mirrorball 200 cm**

**V1**

**Ordercode: 60418**

**Table of contents**

---

**Warning** .....2  
Safety Instructions .....2  
Operating Determinations .....3  
Rigging .....4  
Connection with the mains.....4  
Return Procedure.....5  
Claims.....5

**Description of the device**.....6  
Features .....6  
Overview .....6

**Installation**.....7

**Setup and Operation** .....7  
Installing the Mirrorball .....7

**Maintenance** .....8

**Troubleshooting** .....8

**Product Specifications**.....9

## Warning



**For your own safety, please read this user manual carefully  
before your initial start-up!**

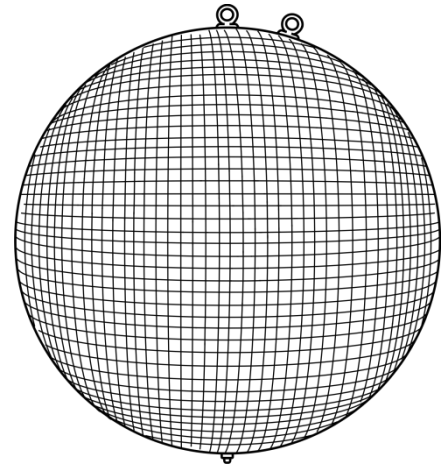


### Unpacking Instructions

Immediately upon receiving this product, carefully unpack the carton and check the contents to ensure that all parts are present, and have been received in good condition. Notify the dealer immediately and retain packing material for inspection if any parts appear damaged from shipping or the carton itself shows signs of mishandling. Save the carton and all packing materials. In the event that a fixture must be returned to the factory, it is important that the fixture be returned in the original factory box and packing.

### Your shipment includes:

- Showtec Mirrorball 200 cm
- User manual



**CAUTION!**  
**Keep this device away from rain and moisture!**  
**Unplug mains lead before opening the housing!**



### Safety Instructions

Every person involved with the installation, operation and maintenance of this device has to:

- be qualified
- follow the instructions of this manual



**CAUTION! Be careful with your operations.**  
**With a dangerous voltage you can suffer  
a dangerous electric shock when touching the wires!**



Before the initial start-up, please make sure that there is no damage caused by transportation. Should there be any, consult your dealer and do not use the device.

To maintain perfect condition and to ensure a safe operation, it is absolutely necessary for the user to follow the safety instructions and warning notes contained in this manual.

Please consider that damages caused by manual modifications to the device are not subject to warranty.

This device contains no user-serviceable parts. Refer servicing to qualified technicians only.

### IMPORTANT:

The manufacturer will not accept liability for any resulting damages caused by the non-observance of this manual or any unauthorized modification to the device.

- Never remove warning or informative labels from the unit.
- Never leave any cables lying around.
- Never leave various parts of the packaging (plastic bags, polystyrene foam, nails, etc.) within children's reach, as they are potential sources of danger.
- Do not open the device and do not modify the device.
- Do not shake the device. Avoid brute force when installing or operating the device.
- Only use the device indoors, avoid contact with water or other liquids.
- Only operate the device after having checked if the housing is firmly closed and all screws are tightly fastened.
- Only operate the device after having familiarized with its functions.
- Avoid flames and do not put close to flammable liquids or gases.
- Make sure that the device is not exposed to extreme heat, moisture or dust.
- Make sure that the rotation of the mirror ball is not interrupted in any way by decoration parts, etc.
- Make sure that the mirror ball cannot start to swing due to air streams, etc. The mirror ball and the motor should be hanged and operated absolutely vibration-free.
- Regularly examine whether the keyring or the chain has any deformations. If you find any, immediately detach the mirror ball.
- The length of the chain with the mirror ball may never exceed 100 cm.
- If device was dropped or struck, disconnect mains power supply immediately. Have a qualified engineer inspect for safety before operating.
- If your Showtec device fails to work properly, discontinue the use immediately. Pack the unit securely (preferably in the original packing material), and return it to your Showtec dealer for service.
- For adult use only. The device must be installed beyond the reach of children. Never leave the unit running unattended.
- The user is responsible for correct positioning and operating of the device. The manufacturer will not accept liability for damages caused by the misuse or incorrect installation of this device.
- WARRANTY: Till one year after date of purchase.

### Operating Determinations

- This device is not designed for permanent operation. Consistent operation breaks will ensure that the device will serve you for a long time without defects.
- To eliminate wear and improve lifespan, during periods of non-use, completely disconnect from power via breaker or by unplugging.
- The maximum ambient temperature  $t_a = 40\text{ °C}$  must never be exceeded.
- The relative humidity must not exceed 50 % with an ambient temperature of 40 °C.
- If this device is operated in any other way than the one described in this manual, the product may suffer damages and the warranty becomes void.
- Any other operation may lead to dangers like short-circuit, burns, electric shock, crash, etc.

*You endanger your own safety and the safety of others!*

**Rigging**

Please follow the European and national guidelines concerning rigging, trussing and all other safety issues.

*Do not attempt the installation yourself !*

*Always let the installation be carried out by an authorized dealer !*

**Procedure:**


- If the device is lowered from the ceiling or high joists, professional trussing systems have to be used.
- The device must never be fixed swinging freely in the room.
- The installation must always be secured with a safety attachment, e.g. an appropriate safety net or a safety cable.
- Make sure that the installation area can hold a minimum point load of 10 times the device's load (e.g. maximum load: 10 kg = point load: 100 kg).
- When rigging, derigging or servicing the device, always make sure, that the area below the installation place is blocked and staying in the area is forbidden.

*Improper installation can cause serious injuries and/or damage of property!*

**Connection with the mains**

Connect the device to the mains with the power-plug.

Always check if the right color cable is connected to the right place.

<b>International</b>	<b>EU Cable</b>	<b>UK Cable</b>	<b>US Cable</b>	<b>Pin</b>
L	BROWN	RED	YELLOW/COPPER	PHASE
N	BLUE	BLACK	SILVER	NEUTRAL
	YELLOW/GREEN	GREEN	GREEN	PROTECTIVE GROUND

*Make sure that the device is always properly connected to the earth!*

*Improper installation can cause serious injuries and/or damage of property!*



### **Return Procedure**

Returned merchandise must be sent prepaid and in the original packing, call tags will not be issued. Package must be clearly labeled with a Return Authorization Number (RMA number). Products returned without an RMA number will be refused. Highlite will not accept the returned goods or any responsibility. Call Highlite 0031-455667723 or mail [aftersales@highlite.com](mailto:aftersales@highlite.com) and request an RMA prior to shipping the fixture. Be prepared to provide the model number, serial number and a brief description of the cause of the return. Be sure to properly pack fixture as any shipping damage resulting from inadequate packaging is the customer's responsibility. Highlite reserves the right to use its own discretion to repair or replace product(s). As a suggestion, proper UPS packing or double-boxing is always a safe method to use.

**Note: If you are given an RMA number, please include the following information on a piece of paper inside the box:**

- 01) Your name
- 02) Your address
- 03) Your phone number
- 04) A brief description of the symptoms

### **Claims**

The client has the obligation to check the delivered goods immediately upon delivery for any shortcomings and/or visible defects, or perform this check after our announcement that the goods are at their disposal. Damage incurred in shipping is the responsibility of the shipper; therefore the damage must be reported to the carrier upon receipt of merchandise.

It is the customer's responsibility to report and submit claims with the shipper in the event that a fixture is damaged due to shipping. Transportation damage has to be reported to us within one day after receipt of the delivery.

Any return shipment has to be made post-paid at all times. Return shipments must be accompanied with a letter defining the reason for return shipment. Non-prepaid return shipments will be refused, unless agreed otherwise in writing.

Complaints against us must be prepared in writing or sent by fax within 10 working days after receipt of the invoice. After this period complaints will not be handled anymore.

Complaints will only then be considered if the client has so far complied with all parts of the agreement, regardless of the agreement from which the obligation is resulting.

## Description of the device

### Features

The Mirrorball 200 cm should be used with a mirror ball control system ([60450+60455](#)).

- Dimensions: ø 200 cm
- Weight: 196 kg

### Optional accessories

[60450](#) – Mirrorball Motor until 500 kg DMX

[60455](#) – Mirrorball Motorcontroller

### Overview

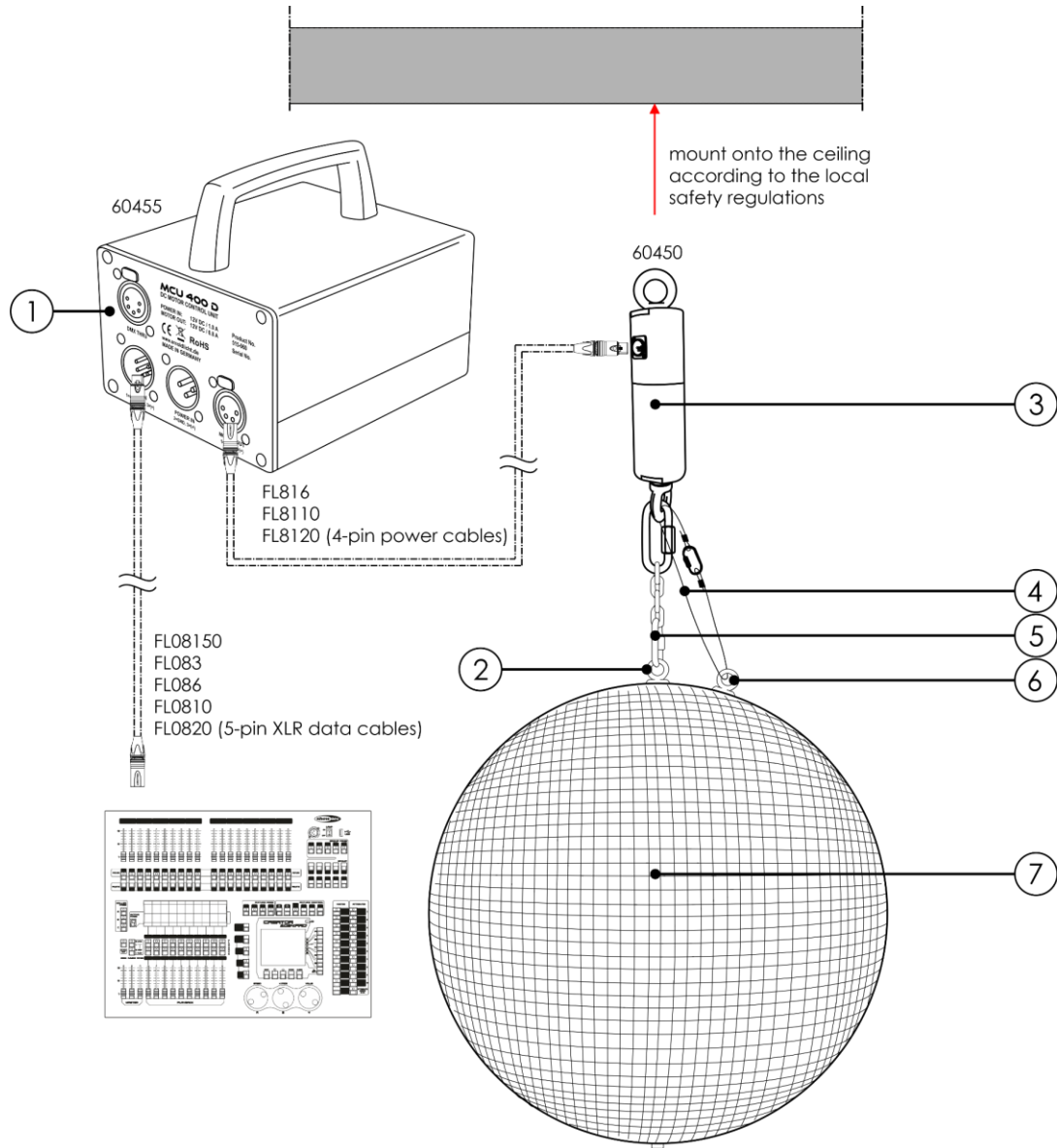


Fig. 01

- 01) Mirrorball Motorcontroller
- 02) Installation eyelet
- 03) Mirrorball Motor until 500 kg DMX
- 04) Safety cable
- 05) Mirror ball chain
- 06) Safety eyelet
- 07) Mirror ball

### Installation

---

Remove all packing materials from the Mirrorball 200 cm. Check if all foam and plastic padding is removed. Connect all cables.

**Do not supply power before the whole system is set up and connected properly.**

**Always disconnect from electric mains power supply before cleaning or servicing.**

**Damages caused by non-observance are not subject to warranty.**

### Setup and Operation

---

Follow the directions below, as they pertain to your preferred operation mode.

Before plugging the unit in, always make sure that the power supply matches the product specification voltage. Do not attempt to operate a 120V specification product on 230V power, or vice versa.

Connect the device to the main power supply.

- Install the mirror ball in a horizontal position at a vibration-free, oscillation-free and fire-resistant location. Use a water-level to make sure that the mirror ball is installed absolutely horizontally and that the motor axle points are facing the bottom.
- Perform a hazard analysis based on the location and application if the mirror ball is to be operated above persons, in order to ensure dimensioning and measures for a safe operation. The mirror ball meets the professional safety regulations regarding safety and operation.
- The installation of the mirror ball has to be carried out in a way that it can hold 10 times the device's weight for 1 hour, without any harming deformation.
- The installation must always be secured with a safety attachment, constructed in a way that no part of the installation can fall down if the main attachment fails.
- When rigging, derigging or servicing the fixture, staying in the area below the installation place, on bridges, under high working places and other endangered areas is forbidden.
- Make sure that safety-related and machine-technical installations are approved by an expert before taking into operation.
- Make sure that safety-related and machine-technical installations are approved by an expert after every four year in the course of an acceptance test.
- Make sure that safety-related and machine-technical installations are approved by a skilled person once a year.

### Installing the Mirrorball

- The installation materials may never include abrading material e.g. steel cables, in order to avoid material wearing.
  - The chain must never be longer than 100 cm.
- 01) Connect the mirror ball chain with the screw-on chain link from the motor to the installation eye of the mirror ball and tighten the fixation screw.
  - 02) Fasten a safety cable from the motor to the safety eyelet on the mirror ball.



### Maintenance

---

The operator has to make sure that safety-related and machine-technical installations are to be inspected by an expert after every year in the course of an acceptance test.

The operator has to make sure that safety-related and machine-technical installations are to be inspected by a skilled person once a year.

The following points have to be considered during the inspection:

- 01) All screws used for installing the device or parts of the device have to be tightly connected and must not be corroded.
- 02) There may not be any deformations on housings, fixations and installation spots.
- 03) Mechanically moving parts like axles, eyes and others may not show any traces of wearing.
- 04) The electric power supply cables must not show any damages or material fatigue.

The Mirrorball 200 cm requires almost no maintenance. However, you should keep the unit clean. Wipe the device with a damp cloth.

### Troubleshooting

---

This troubleshooting guide is meant to help solve simple problems.

If a problem occurs, carry out the steps below in sequence until a solution is found. Once the unit operates properly, do not carry out following steps.

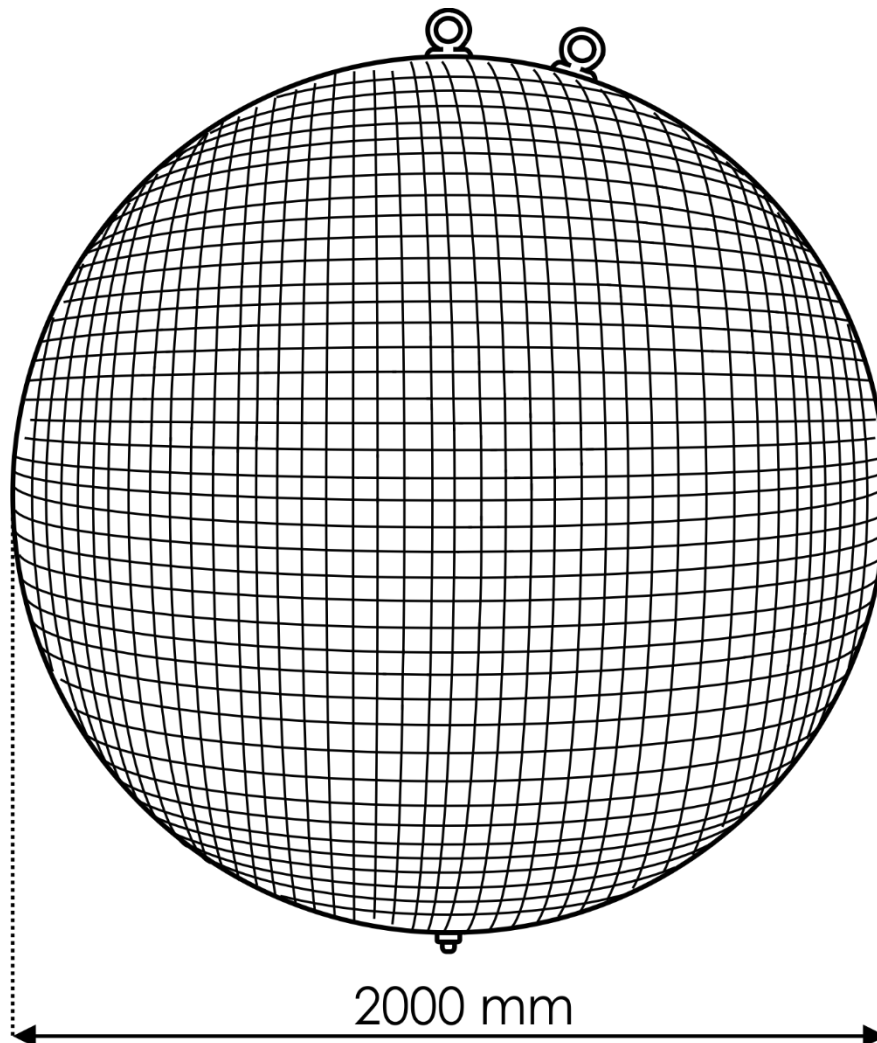
If the mirror ball control system does not operate properly, refer servicing to a technician.

Suspect four potential problem areas as: the power supply, the motor, the motor controller and the mirror ball.

- 01) Power supply. Check if the unit is plugged into an appropriate power supply.
- 02) The motor. Return the device to your Showtec dealer.
- 03) The motor controller. Return the device to your Showtec dealer.
- 04) The mirror ball. Return the Mirrorball to your Showtec dealer.
- 05) If all appears to be O.K., plug the unit in again.
- 06) If you are unable to determine the cause of the problem, do not open the Mirrorball, as this may damage the unit and the warranty will become void.
- 07) Return the device to your Showtec dealer.

**Product Specifications**

Model:	Showtec Mirrorball 200 cm
Dimensions:	ø 200 cm
Weight:	196 kg
Max. ambient temperature $t_a$ :	From -5 °C to 40 °C
Max. housing temperature $t_B$ :	80 °C



Design and product specifications are subject to change without prior notice.



Website: [www.Showtec.info](http://www.Showtec.info)

Email: [service@highlite.com](mailto:service@highlite.com)





©2020 Showtec