

**ENGLISH**

**Antari AF-5E DMX Fan**

**V1**

**Product code: 80374**

## **Table of contents**

---

|  |    |
|--|----|
| <b>Warning</b> .....                   | 2  |
| Safety Instructions .....              | 2  |
| Operating Determinations .....         | 4  |
| Rigging .....                          | 5  |
| Return Procedure .....                 | 6  |
| Claims.....                            | 6  |
| <b>Description of the device</b> ..... | 7  |
| Front.....                             | 7  |
| <b>Installation</b> .....              | 8  |
| <b>Setup and Operation</b> .....       | 8  |
| Control Modes.....                     | 8  |
| One AF-5E (Manual).....                | 8  |
| Multiple AF-5Es (DMX Control).....     | 8  |
| Device Linking .....                   | 9  |
| Data Cabling.....                      | 9  |
| Control Mode .....                     | 10 |
| DMX Addressing .....                   | 10 |
| Main Menu Options .....                | 10 |
| 1. Manual Mode.....                    | 10 |
| 2. DMX-512 Mode .....                  | 11 |
| DMX Channels .....                     | 13 |
| 1 Channel.....                         | 13 |
| <b>Maintenance</b> .....               | 13 |
| <b>Troubleshooting</b> .....           | 13 |
| Fan Does Not Function .....            | 13 |
| No Response to DMX.....                | 14 |
| <b>Product Specifications</b> .....    | 15 |
| <b>Notes</b> .....                     | 16 |

## Warning



**For your own safety, please read this user manual carefully  
before your initial start-up!**

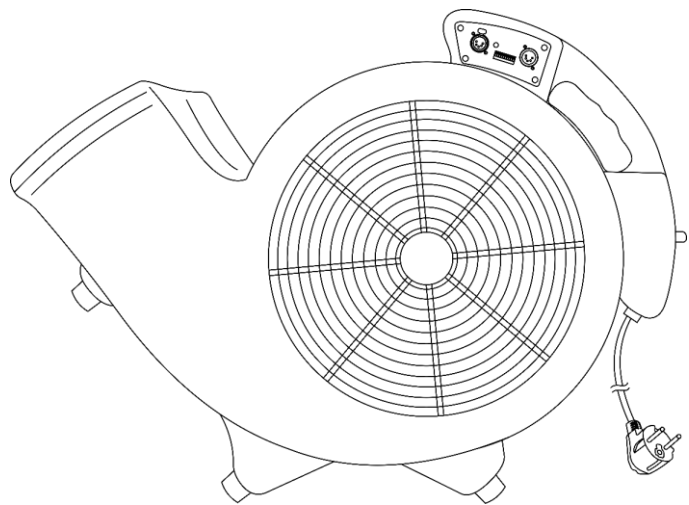


### Unpacking Instructions

Immediately upon receiving this product, carefully unpack the carton and check the contents to ensure that all parts are present and have been received in good condition. Notify the dealer immediately and retain packing material for inspection if any parts appear damaged from shipping or the carton itself shows signs of mishandling. Save the carton and all packing materials. In the event that a device must be returned to the factory, it is important that the device be returned in the original factory box and packing.

### Your shipment includes:

- Antari AF-5E DMX Fan with a fixed Schuko power cable (1,6 m)
- User manual



**CAUTION!**  
**Keep this device away from rain and moisture!**  
**Unplug mains lead before opening the housing!**



### Safety Instructions

Every person involved with the installation, operation and maintenance of this device has to:

- be qualified
- follow the instructions of this manual



**CAUTION! Be careful with your operations.**  
**With a dangerous voltage you can suffer  
a dangerous electric shock when touching the wires!**



Before the initial start-up, please make sure that there is no damage caused by transportation. Should there be any, consult your dealer and do not use the device.

To maintain perfect condition and to ensure a safe operation, it is absolutely necessary for the user to follow the safety instructions and warning notes written in this manual.

Please consider that damages caused by manual modifications to the device are not subject to warranty.



This device contains no user-serviceable parts. Refer servicing to qualified technicians only.

### IMPORTANT:

The manufacturer will not accept liability for any resulting damages caused by the non-observance of this manual or any unauthorized modification to the device.



- Never let the power cord come into contact with other cables! Handle the power cord and all connections with the mains with particular caution!
- Always disconnect power from the mains, when device is not used or before cleaning! Only handle the power cord by the plug. Never pull out the plug by tugging the power cord.
- Always hold the device by the transport handle.
- Never remove warning or informative labels from the device.
- Never use anything to cover the ground contact.
- Never place any material over the fan.
- Never leave any cables lying around.
- Never attempt to bypass the thermostatic switch or fuses.
- Do not insert objects into air vents.
- Do not open the device and do not modify the device.
- Do not connect this device to a dimmer pack.
- Do not use the fan if any part is damaged or missing.
- Do not touch the fan blades, while operating the device.
- Do not switch the device on and off in short intervals, as this would reduce the device's life.
- Do not shake the device. Avoid brute force when installing or operating the device.
- Only use device indoors, avoid contact with water or other liquids.
- Only operate the device after having checked if the housing is firmly closed and all screws are tightly fastened.
- Only operate the device after having familiarized with its functions.
- Avoid flames and do not put close to flammable liquids or gases.
- Always allow free air space of at least 50 cm around the device for ventilation.
- Make sure that the device is not exposed to extreme heat, moisture or dust.
- If text and/or icons are missing, damaged or illegible on the device, they should be replaced.
- Make sure that the available voltage is not higher than stated on the device.
- Make sure that the power cord is never crimped or damaged. Check the device and the power cord from time to time.
- If the external cable is damaged, it has to be replaced by a qualified technician.
- If the fan is obviously damaged, it has to be replaced.
- If device is dropped or struck, disconnect mains power supply immediately. Have a qualified engineer inspect for safety before operating.
- If the device has been exposed to drastic temperature fluctuation (e.g. after transportation), do not switch it on immediately. The arising condensation water might damage your device. Leave the device switched off until it has reached room temperature.
- If the AF-5E fails to work properly, discontinue the use immediately. Pack the device securely (preferably in the original packing material), and return it to your Antari dealer for service.
- For adult use only. The device must be installed beyond the reach of children. Never leave the device running unattended.
- Allow time to cool down, before cleaning or servicing.
- The user is responsible for correct positioning and operating of the AF-5E. The manufacturer will not accept liability for unsafe situations, accidents, damages caused by:
  - the misuse or incorrect installation of this device.
  - ignoring warnings or instructions as shown in this manual.
  - using the AF-5E for purposes or in conditions other than specified in this manual.
  - changes to the AF-5E. This includes the use of other than original spare parts.
  - inadequate maintenance.
  - the unauthorized removal of safety symbols, safety covers and/or guards.
- This device falls under protection class I. Therefore it is essential to connect the yellow/green conductor to earth.
- Repairs, servicing and electric connection must be carried out by a qualified technician.
- WARRANTY: Till one year after date of purchase.

 **CAUTION!**   
Do not perform any repairs on your own!  
If in doubt, always contact [service@highlite.com](mailto:service@highlite.com)!

 **CAUTION!**   
Follow all warnings and safety instructions during installation/operation!  
Non-observance could lead to severe injuries or even death !!!

### Operating Determinations

- This device is not designed for permanent operation. Consistent operation breaks will ensure that the device will serve you for a long time without defects.
- The maximum ambient temperature  $t_a = 40\text{ °C}$  must never be exceeded.
- In order to eliminate wear and improve the device's lifespan, during periods of non-use, completely disconnect from power source via breaker or by unplugging.
- The relative humidity must not exceed 50 % with an ambient temperature of 40 °C.
- If this device is operated in any other way, than the one described in this manual, the product may suffer damages and the warranty becomes void.
- Any other operation may lead to dangers like short-circuit, burns, electric shock, crash etc.

 We presume that you, your employees and others who come into contact with the AF-5E are familiar with how the device must be dealt with. This includes the correct use, maintenance and repair of the AF-5E as described in this user manual. The employees should be familiar with the use of devices through training and/or experience. 

*Improper installation can cause serious injuries and/or damage of property!*

*You endanger your own safety and the safety of others!*

Antari excludes liability for unsafe situations, accidents and damage that are the result of:

- disregard for the warnings or regulations as set out on the device or in this manual.
- use for other purposes or under other circumstances than those set out in this documentation.
- alterations to the AF-5E. This also includes the use of replacement parts other than the original ones.
- insufficient maintenance.
- unauthorized removal of safety caps and/or safeguards.
- incompetent operation of the device.

Antari is not liable for any consequential loss in the event of the device's breakdown.

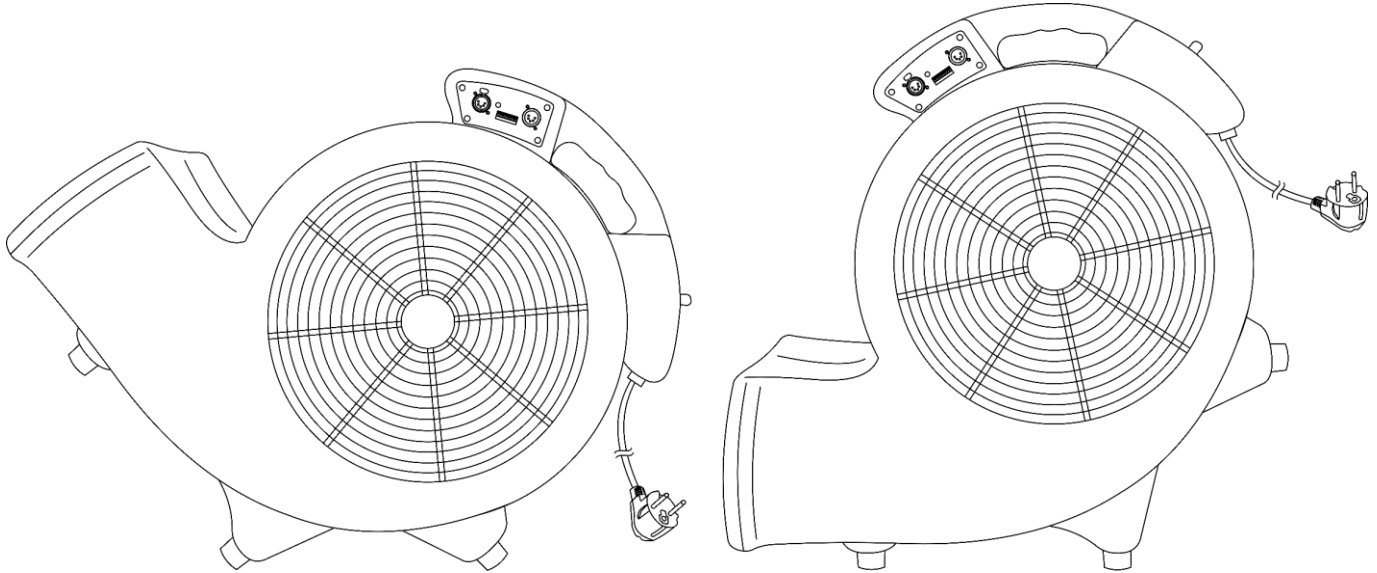
**This user manual has been drawn up with the utmost care. Antari cannot be held responsible for any mistakes made in this publication or for any consequences thereof.**

## Rigging

Please follow the European and national guidelines concerning rigging, trussing and all other safety issues.

Do not attempt the installation yourself!

Always let the installation be carried out by an authorized dealer!




The AF-5E can be placed on a flat stage floor.

*Improper installation can cause serious injuries and/or damage of property!*

## Connection with the mains

Connect the device to the mains with the power-plug.

Always pay attention, that the right color cable is connected to the right place.

| International   | EU Cable     | UK Cable | US Cable      | Pin               |
|---|--------------|----------|---------------|-------------------|
| L   | BROWN        | RED      | YELLOW/COPPER | PHASE             |
| N   | BLUE         | BLACK    | SILVER        | NEUTRAL           |
|  | YELLOW/GREEN | GREEN    | GREEN         | PROTECTIVE GROUND |

*Make sure that the device is always connected properly to the earth!*

*Improper installation can cause serious damage to people and property!*



### Return Procedure



Returned merchandise must be sent prepaid and in the original packing, call tags will not be issued. Package must be clearly labeled with a Return Authorization Number (RMA number). Products returned without an RMA number will be refused. Highlite will not accept the returned goods or any responsibility. Call Highlite 0031-455667723 or mail [aftersales@highlite.com](mailto:aftersales@highlite.com) and request an RMA prior to shipping the device. Be prepared to provide the model number, serial number and a brief description of the cause for the return. Be sure to properly pack device, any shipping damage resulting from inadequate packaging is the customer's responsibility. Highlite reserves the right to use its own discretion to repair or replace product(s). As a suggestion, proper UPS packing or double-boxing is always a safe method to use.

**Note: If you are given an RMA number, please include the following information on a piece of paper inside the box:**

- 01) Your name
- 02) Your address
- 03) Your phone number
- 04) A brief description of the symptoms

### Claims

The client has the obligation to check the delivered goods immediately upon delivery for any shortcomings and/or visible defects, or perform this check after our announcement that the goods are at their disposal. Damage incurred in shipping is the responsibility of the shipper; therefore the damage must be reported to the carrier upon receipt of merchandise.

It is the customer's responsibility to notify and submit claims with the shipper in the event that a device is damaged due to shipping. Transportation damage has to be reported to us within one day after receipt of the delivery.

Any return shipment has to be made post-paid at all times. Return shipments must be accompanied with a letter defining the reason for return shipment. Non-prepaid return shipments will be refused, unless otherwise agreed in writing.

Complaints against us must be made known in writing or by fax within 10 working days after receipt of the invoice. After this period complaints will not be handled anymore.

Complaints will only then be considered if the client has so far complied with all parts of the agreement, regardless of the agreement of which the obligation is resulting.



## Description of the device

### Features

The AF-5E is Antari's very first special effects fan. It is equipped with DMX and there are 3 speed settings to choose from. The AF-5E can be used in combination with fog, haze or snow machines.

- Input voltage: 240 V AC, 50/60 Hz
- Peak power: 3000 W
- Continuous power consumption: 1100 W
- Maximum noise level: 57 dB
- Airflow: 50 m<sup>3</sup>/h
- Fan speed: 1289 RPM
- Control modes: Manual, DMX-512
- DMX mode: 1 channel
- Color: Black
- Housing: Metal, plastic
- Data connection: 5-pin XLR IN/OUT
- Power connection: Fixed Schuko power cable (1,6 m)
- IP rating: IP20
- Dimensions: 550 x 466 x 575 mm (LxWxH)
- Weight: 18 kg

### Front

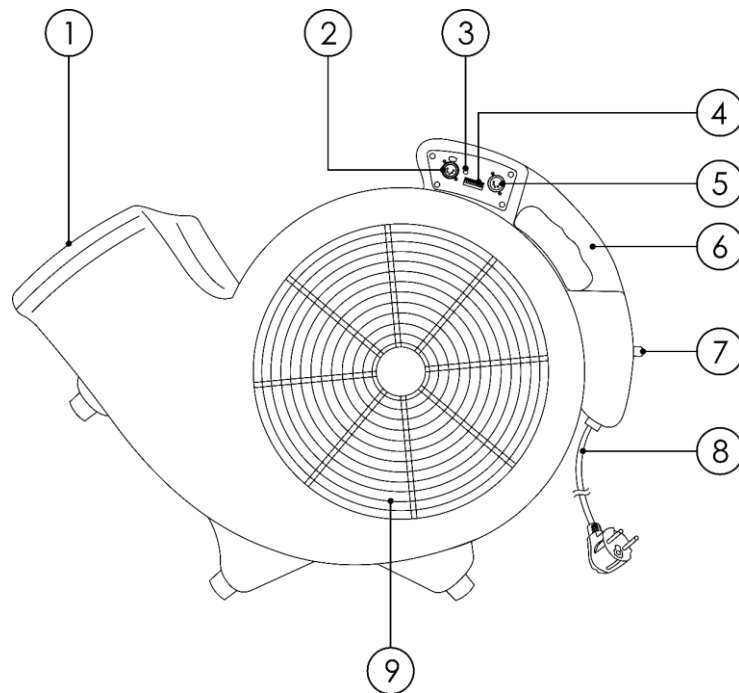


Fig. 01

- 01) Air outlet
- 02) 5-pin DMX signal connector OUT
- 03) Manual/DMX LED indicator
  - When the LED lights green, you can operate the device with the **fan speed selector (07)**.
  - When the LED lights orange, you can operate the device with DMX. DMX control overrides manual settings.
- 04) DIP switches
- 05) 5-pin DMX signal connector IN
- 06) Transport handle
- 07) Fan speed selector
- 08) Fixed Schuko power cable (1,6 m)
- 09) Fan



## Installation

Remove all packing materials from the AF-5E. Check if all foam and plastic padding is removed.  
Connect all cables.

**Do not supply power before the whole system is set up and connected properly.**

**Always disconnect from electric mains power supply before cleaning or servicing.**

**Damages caused by non-observance are not subject to warranty.**

## Setup and Operation

Follow the directions below, as they pertain to your preferred operation mode.

Before plugging the device in, always make sure that the power supply matches the product specification voltage. Do not attempt to operate a 110 V specification product on 240 V power, or vice versa.

Connect the device to the main power supply.

### Control Modes

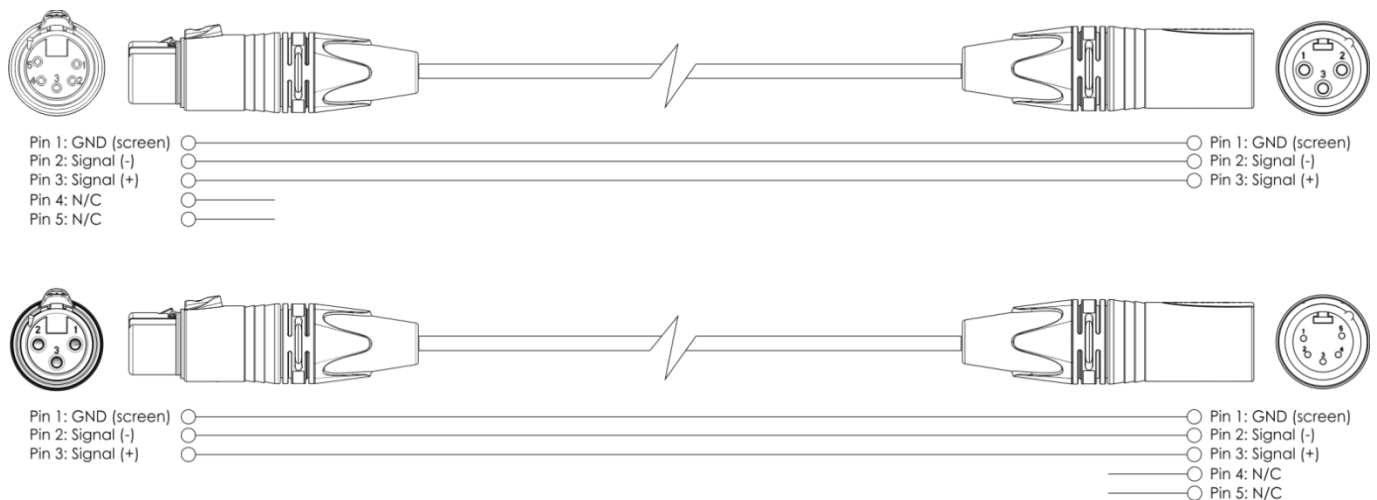
- There are 2 modes:
- Manual
  - DMX-512

#### One AF-5E (Manual)

- 01) Place the AF-5E on a flat surface. Leave at least 0,5 meter on all sides for air circulation.
- 02) Plug the end of the electric mains power cord into a proper electric power supply socket.
- 03) When the AF-5E is not connected with a DMX cable, it functions as a stand-alone device.
- 04) Please see **1. Manual Mode** on page 10 for more information.

#### Multiple AF-5Es (DMX Control)

- 01) Place the AF-5E on a flat surface. Leave at least 0,5 meter on all sides for air circulation.
- 02) Plug the end of the electric mains power cord into a proper electric power supply socket.
- 03) Use a 5-pin XLR cable to connect the AF-5E and other devices.



- 04) Link the devices as shown in Fig. 02 on page 9. Connect a DMX signal cable from the first device's DMX "out" socket to the second device's "in" socket. Repeat this process to link the second, third, and fourth devices.
- 05) Supply electric power: Plug electric mains power cords into proper electric power supply sockets, starting with the first device. Do not supply power before the whole system is set up and connected properly.

## Multiple AF-5Es DMX Setup

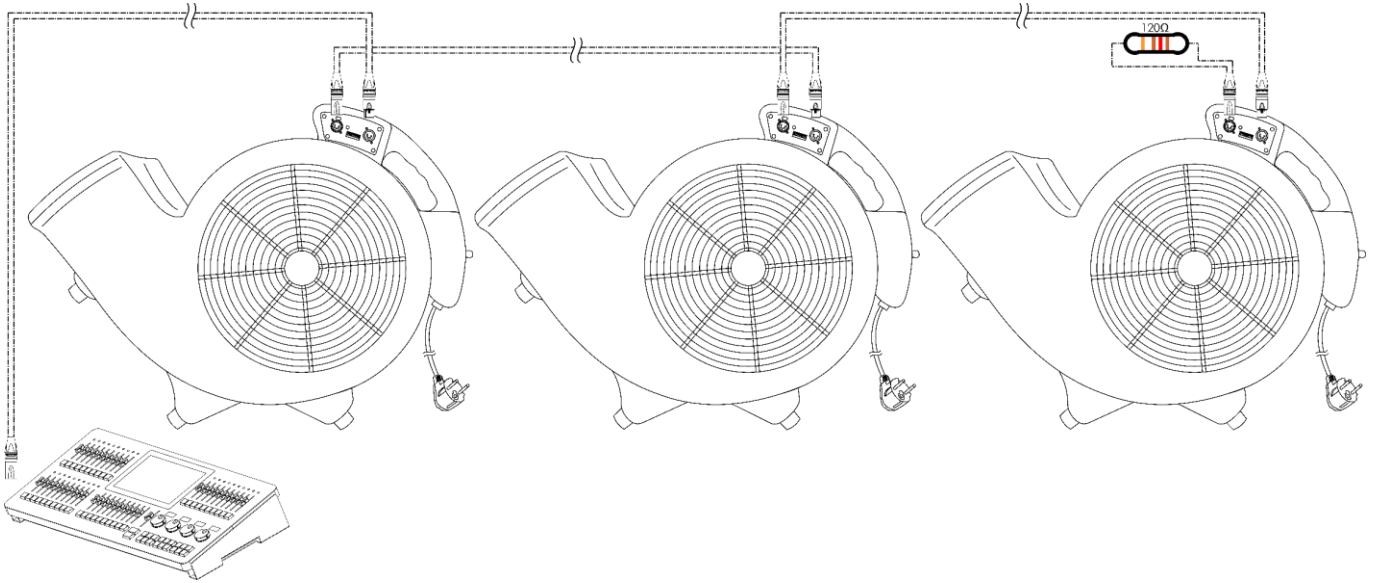


Fig. 02

**Note:** Link all cables before connecting electric power

## Device Linking

You will need a serial data link to operate one or more devices using a DMX-512 controller. The combined number of channels required by all the devices on a serial data link determines the number of devices the data link can support.

**Important:** Devices on a serial data link must be daisy-chained in a single line. To comply with the EIA-485 standard, no more than 30 devices should be connected on one data link. Connecting more than 30 devices on one serial data link without the use of a DMX optically isolated splitter may result in deterioration of the digital DMX signal. Maximum recommended DMX data link distance: 100 meters  
Maximum recommended number of devices on a DMX data link: 30 devices



## Data Cabling

To link devices together, you must obtain data cables. You can purchase DAP Audio certified DMX cables directly from a dealer/distributor or construct your own cable. If you choose to create your own cable, please use data-grade cables that can carry a high quality signal and are less prone to electromagnetic interference.

### DAP Audio DMX Data Cables

- DAP Audio Basic microphone cable for allround use. bal. XLR/M 3-pin > XLR/F 3-pin. **Ordercode** FL01150 (1,5 m), FL013 (3 m), FL016 (6 m), FL0110 (10 m), FL0115 (15 m), FL0120 (20 m).
- DAP Audio X-type data cable XLR/M 3-pin > XLR/F 3-pin. **Ordercode** FLX0175 (0,75 m), FLX01150 (1,5 m), FLX013 (3 m), FLX016 (6 m), FLX0110 (10 m).
- DAP Audio cable for the demanding user with exceptional audio-qualities and connector made by Neutrik®. **Ordercode** FL71150 (1,5 m), FL713 (3 m), FL716 (6 m), FL7110 (10 m).
- DAP Audio cable for the demanding user with exceptional audio-qualities and connector made by Neutrik®. **Ordercode** FL7275 (0,75 m), FL72150 (1,5 m), FL723 (3 m), FL726 (6 m), FL7210 (10 m).
- DAP Audio 110 Ohm cable with digital signal transmission. **Ordercode** FL0975 (0,75 m), FL09150 (1,5 m), FL093 (3 m), FL096 (6 m), FL0910 (10 m), FL0915 (15 m), FL0920 (20 m).
- DAP Audio data cable FL08 DMX/AES-EBU, XLR/M 5-pin > XLR/F 5-pin. **Ordercode** FL08150 (1,5 m), FL083 (3 m), FL086 (6 m), FL0810 (10 m), FL0820 (20 m).
- DAP Audio DMX adapter: 5-pin/3-pin. **Ordercode** FLA29.
- DAP Audio DMX adapter: 3-pin/5-pin. **Ordercode** FLA30.
- DAP Audio DMX Terminator 3-pin. **Ordercode** FLA42.
- DAP Audio DMX Terminator 5-pin. **Ordercode** FLA43.

### Control Mode

The devices are individually addressed on a data-link and connected to the controller. The devices respond to the DMX signal from the controller. (When you select the DMX address and save it, the controller will display the saved DMX address next time.)

### DMX Addressing

The DIP switches allow you to assign DMX device addresses, which is the first channel with which the AF-5E will respond to the controller.

Please note when you use the controller, the device has **1** channel.

When using multiple AF-5E devices, make sure that you set the DMX addresses right.

Therefore, the DMX address of the first AF-5E should be **1(001)**; the DMX address of the second AF-5E should be **1+1=2 (002)**; the DMX address of the third AF-5E should be **2+1=3 (003)**, etc.

Please, make sure that you do not have any overlapping channels in order to control each AF-5E correctly. If two or more AF-5E devices are addressed similarly, they will work similarly.

### Controlling:

After having addressed all AF-5E devices, you may now start operating these via your lighting controller.

**Note:** After switching on, the AF-5E will automatically detect whether DMX-512 data is received or not.

If it does not, the problem may be:

- The XLR cable from the controller is not connected to the input of the AF-5E.
- The controller is switched off or defective, the cable or connector is defective, or the signal wires are swapped in the input connector.

**Note:** It is necessary to insert an XLR termination plug (with 120 Ohm) in the last device in order to ensure proper transmission on the DMX data link.

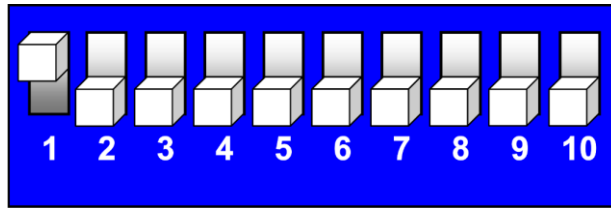
## Main Menu Options

### 1. Manual Mode

- 01) Plug the **Schuko cable (08)** into the appropriate 240 V AC power supply.
- 02) Make sure that DMX is not active. If DMX is active, Manual mode will not work.
- 03) Turn the **speed selector (07)** in order to set the desired fan speed. The adjustment range is between **0** (OFF) and **1-3** (from low to high speed).
- 04) After use, turn the **speed selector (07)** to **0**, to switch the AF-5E off.
- 05) Unplug the **Schuko cable (08)**.

**2. DMX-512 Mode**

DMX products must have their own unique address to receive DMX signals. Addresses on the controller are set by flipping the appropriate DMX DIP switches.

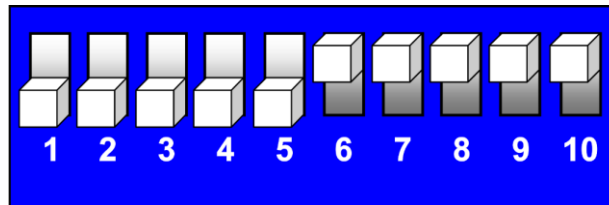


DMX address settings are the sum of the DIP switch values. The values, alongside with the corresponding switches, can be found in the quick reference chart (see page 12).

**Example 1**

**AF-5E**                      **Address Value**                      **DMX DIP Switches "ON"**  
 Device 31                      31                      #1 , #2, #3, #4, #5

| Switch    | Value |
|-----------|-------|
| #1        | 1     |
| #2        | 2     |
| #3        | 4     |
| #4        | 8     |
| #5        | 16 +  |
| Total sum | 31    |



Explanation: Since each device has 1 channel, each address advances by 1 value. (See Address Value above.)

Once address values are determined, add DMX DIP switch values to obtain the appropriate address (DMX DIP Switches "ON") for each device. Flip appropriate DMX DIP switches on each device.

**Example 2**

- 01) If you want to set a DMX address 133, you first have to find the number 133 in the DMX Address Quick Reference Chart (see page 12).
- 02) Look at the left side (DIP Switches #1–5) horizontally from 133. In the table you will see that #1=ON, #2=OFF, #3=ON, #4=OFF, #5=OFF.
- 03) Look at the upper side of the table (DIP Switches #6–9) vertically from 133. In the table you will see that #6=OFF, #7=OFF, #8=ON, #9=OFF.

**DMX Address Quick Reference**

| DMX DIP SWITCH SET |    |    |    |    | #9 | 0  | 0  | 0   | 0   | 0   | 0 | 0 |
|--------------------|----|----|----|----|----|----|----|-----|-----|-----|---|---|
| 0=OFF              |    |    |    |    | #8 | 0  | 0  | 0   | 0   | 0   | 1 | 1 |
| 1=ON               |    |    |    |    | #7 | 0  | 0  | 1   | 1   | 0   | 0 | 0 |
|                    |    |    |    |    | #6 | 0  | 1  | 0   | 1   | 0   | 1 | 0 |
| #1                 | #2 | #3 | #4 | #5 |    |    |    |     |     |     |   |   |
| 0                  | 0  | 0  | 0  | 0  | 32 | 64 | 96 | 128 | 160 |     |   |   |
| 1                  | 0  | 0  | 0  | 0  | 1  | 33 | 65 | 97  | 129 | 161 |   |   |
| 0                  | 1  | 0  | 0  | 0  | 2  | 34 | 66 | 98  | 130 | 162 |   |   |
| 1                  | 1  | 0  | 0  | 0  | 3  | 35 | 67 | 99  | 131 | 163 |   |   |
| 0                  | 0  | 1  | 0  | 0  | 4  | 36 | 68 | 100 | 132 | 164 |   |   |
| 1                  | 0  | 1  | 0  | 0  | 5  | 37 | 69 | 101 | 133 | 165 |   |   |
| 0                  | 1  | 1  | 0  | 0  | 6  | 38 | 70 | 102 | 134 | 166 |   |   |

## DMX Address Quick Reference Chart

Dip Switch Position

| DMX DIP SWITCH SET<br>0=OFF<br>1=ON |    |    |    |    |    |    |    |     |     |     |     |     |     |     |     |     |     |     |     |     |
|-------------------------------------|----|----|----|----|----|----|----|-----|-----|-----|-----|-----|-----|-----|-----|-----|-----|-----|-----|-----|
| #9                                  | 0  | 0  | 0  | 0  | 0  | 0  | 0  | 0   | 1   | 1   | 1   | 1   | 1   | 1   | 1   | 1   |     |     |     |     |
| #8                                  | 0  | 0  | 0  | 0  | 1  | 1  | 1  | 1   | 0   | 0   | 0   | 0   | 1   | 1   | 1   | 1   |     |     |     |     |
| #7                                  | 0  | 0  | 1  | 1  | 0  | 0  | 1  | 1   | 0   | 0   | 1   | 1   | 0   | 0   | 1   | 1   |     |     |     |     |
| #6                                  | 0  | 1  | 0  | 1  | 0  | 1  | 0  | 1   | 0   | 1   | 0   | 1   | 0   | 1   | 0   | 1   |     |     |     |     |
| #1                                  | #2 | #3 | #4 | #5 |    | 32 | 64 | 96  | 128 | 160 | 192 | 224 | 256 | 288 | 320 | 352 | 384 | 416 | 448 | 480 |
| 0                                   | 0  | 0  | 0  | 0  | 1  | 33 | 65 | 97  | 129 | 161 | 193 | 225 | 257 | 289 | 321 | 353 | 385 | 417 | 449 | 481 |
| 1                                   | 0  | 0  | 0  | 0  | 2  | 34 | 66 | 98  | 130 | 162 | 194 | 226 | 258 | 290 | 322 | 354 | 386 | 418 | 450 | 482 |
| 0                                   | 1  | 0  | 0  | 0  | 3  | 35 | 67 | 99  | 131 | 163 | 195 | 227 | 259 | 291 | 323 | 355 | 387 | 419 | 451 | 483 |
| 1                                   | 1  | 0  | 0  | 0  | 4  | 36 | 68 | 100 | 132 | 164 | 196 | 228 | 260 | 292 | 324 | 356 | 388 | 420 | 452 | 484 |
| 0                                   | 0  | 1  | 0  | 0  | 5  | 37 | 69 | 101 | 133 | 165 | 197 | 229 | 261 | 293 | 325 | 357 | 389 | 421 | 453 | 485 |
| 1                                   | 0  | 1  | 0  | 0  | 6  | 38 | 70 | 102 | 134 | 166 | 198 | 230 | 262 | 294 | 326 | 358 | 390 | 422 | 454 | 486 |
| 0                                   | 1  | 1  | 0  | 0  | 7  | 39 | 71 | 103 | 135 | 167 | 199 | 231 | 263 | 295 | 327 | 359 | 391 | 423 | 455 | 487 |
| 1                                   | 1  | 1  | 0  | 0  | 8  | 40 | 72 | 104 | 136 | 168 | 200 | 232 | 264 | 296 | 328 | 360 | 392 | 424 | 456 | 488 |
| 0                                   | 0  | 0  | 1  | 0  | 9  | 41 | 73 | 105 | 137 | 169 | 201 | 233 | 265 | 297 | 329 | 361 | 393 | 425 | 457 | 489 |
| 1                                   | 0  | 0  | 1  | 0  | 10 | 42 | 74 | 106 | 138 | 170 | 202 | 234 | 266 | 298 | 330 | 362 | 394 | 426 | 458 | 490 |
| 0                                   | 1  | 0  | 1  | 0  | 11 | 43 | 75 | 107 | 139 | 171 | 203 | 235 | 267 | 299 | 331 | 363 | 395 | 427 | 459 | 491 |
| 1                                   | 1  | 0  | 1  | 0  | 12 | 44 | 76 | 108 | 140 | 172 | 204 | 236 | 268 | 300 | 332 | 364 | 396 | 428 | 460 | 492 |
| 0                                   | 0  | 1  | 1  | 0  | 13 | 45 | 77 | 109 | 141 | 173 | 205 | 237 | 269 | 301 | 333 | 365 | 397 | 429 | 461 | 493 |
| 1                                   | 0  | 1  | 1  | 0  | 14 | 46 | 78 | 110 | 142 | 174 | 206 | 238 | 270 | 302 | 334 | 366 | 398 | 430 | 462 | 494 |
| 0                                   | 1  | 1  | 1  | 0  | 15 | 47 | 79 | 111 | 143 | 175 | 207 | 239 | 271 | 303 | 335 | 367 | 399 | 431 | 463 | 495 |
| 1                                   | 1  | 1  | 1  | 0  | 16 | 48 | 80 | 112 | 144 | 176 | 208 | 240 | 272 | 304 | 336 | 368 | 400 | 432 | 464 | 496 |
| 0                                   | 0  | 0  | 0  | 1  | 17 | 49 | 81 | 113 | 145 | 177 | 209 | 241 | 273 | 305 | 337 | 369 | 401 | 433 | 465 | 497 |
| 1                                   | 0  | 0  | 0  | 1  | 18 | 50 | 82 | 114 | 146 | 178 | 210 | 242 | 274 | 306 | 338 | 370 | 402 | 434 | 466 | 498 |
| 0                                   | 1  | 0  | 0  | 1  | 19 | 51 | 83 | 115 | 147 | 179 | 211 | 243 | 275 | 307 | 339 | 371 | 403 | 435 | 467 | 499 |
| 1                                   | 1  | 0  | 0  | 1  | 20 | 52 | 84 | 116 | 148 | 180 | 212 | 244 | 276 | 308 | 340 | 372 | 404 | 436 | 468 | 500 |
| 0                                   | 0  | 1  | 0  | 1  | 21 | 53 | 85 | 117 | 149 | 181 | 213 | 245 | 277 | 309 | 341 | 373 | 405 | 437 | 469 | 501 |
| 1                                   | 0  | 1  | 0  | 1  | 22 | 54 | 86 | 118 | 150 | 182 | 214 | 246 | 278 | 310 | 342 | 374 | 406 | 438 | 470 | 502 |
| 0                                   | 1  | 1  | 0  | 1  | 23 | 55 | 87 | 119 | 151 | 183 | 215 | 247 | 279 | 311 | 343 | 375 | 407 | 439 | 471 | 503 |
| 1                                   | 1  | 1  | 0  | 1  | 24 | 56 | 88 | 120 | 152 | 184 | 216 | 248 | 280 | 312 | 344 | 376 | 408 | 440 | 472 | 504 |
| 0                                   | 0  | 0  | 1  | 1  | 25 | 57 | 89 | 121 | 153 | 185 | 217 | 249 | 281 | 313 | 345 | 377 | 409 | 441 | 473 | 505 |
| 1                                   | 0  | 0  | 1  | 1  | 26 | 58 | 90 | 122 | 154 | 186 | 218 | 250 | 282 | 314 | 346 | 378 | 410 | 442 | 474 | 506 |
| 0                                   | 1  | 0  | 1  | 1  | 27 | 59 | 91 | 123 | 155 | 187 | 219 | 251 | 283 | 315 | 347 | 379 | 411 | 443 | 475 | 507 |
| 1                                   | 1  | 0  | 1  | 1  | 28 | 60 | 92 | 124 | 156 | 188 | 220 | 252 | 284 | 316 | 348 | 380 | 412 | 444 | 476 | 508 |
| 0                                   | 0  | 1  | 1  | 1  | 29 | 61 | 93 | 125 | 157 | 189 | 221 | 253 | 285 | 317 | 349 | 381 | 413 | 445 | 477 | 509 |
| 1                                   | 0  | 1  | 1  | 1  | 30 | 62 | 94 | 126 | 158 | 190 | 222 | 254 | 286 | 318 | 350 | 382 | 414 | 446 | 478 | 510 |
| 0                                   | 1  | 1  | 1  | 1  | 31 | 63 | 95 | 127 | 159 | 191 | 223 | 255 | 287 | 319 | 351 | 383 | 415 | 447 | 479 | 511 |

Dip Switch Position

DMX Address



## DMX Channels

### 1 Channel

#### Channel 1 – Fan speed

|         |              |
|---------|--------------|
| 0–10    | Fan off      |
| 11–92   | Low speed    |
| 93–174  | Medium speed |
| 175–255 | High speed   |

## Maintenance

The operator has to make sure that safety-related and machine-technical installations are to be inspected by an expert after every year in the course of an acceptance test.

The operator has to make sure that safety-related and machine-technical installations are to be inspected by a skilled person once a year.

The following points have to be considered during the inspection:

- 01) All screws used for installing the device or parts of the device have to be tightly connected and must not be corroded.
- 02) There may not be any deformations on housings, fixations and installation spots.
- 03) Mechanically moving parts like axles, eyes and others may not show any traces of wearing.
- 04) The electric power supply cables must not show any damages or material fatigue.

The AF-5E requires almost no maintenance. However, you should keep the device clean. Disconnect the mains power supply, and then wipe the cover with a damp cloth. Do not immerse in liquid. Do not use alcohol or solvents.

Please clean internal components once a year with a light brush and vacuum cleaner.

Keep connections clean. Disconnect electric power, and then wipe the DMX connections with a damp cloth. Make sure that connections are thoroughly dry before linking equipment or supplying electric power.

## Troubleshooting

This troubleshooting guide is meant to help solve simple problems.

If a problem occurs, carry out the steps below in sequence until a solution is found.

### Fan Does Not Function

If the fan does not operate properly, refer servicing to a technician.

Follow the steps below:

- 01) Power supply. Check if the device is plugged into an appropriate power supply.
- 02) If you are unable to determine the cause of the problem, do not open the AF-5E, as this may damage the device and the warranty will become void.
- 03) Return the device to your Antari dealer.

**No Response to DMX**

Suspect the DMX cable or connectors, a controller malfunction, the device's DMX card malfunction.

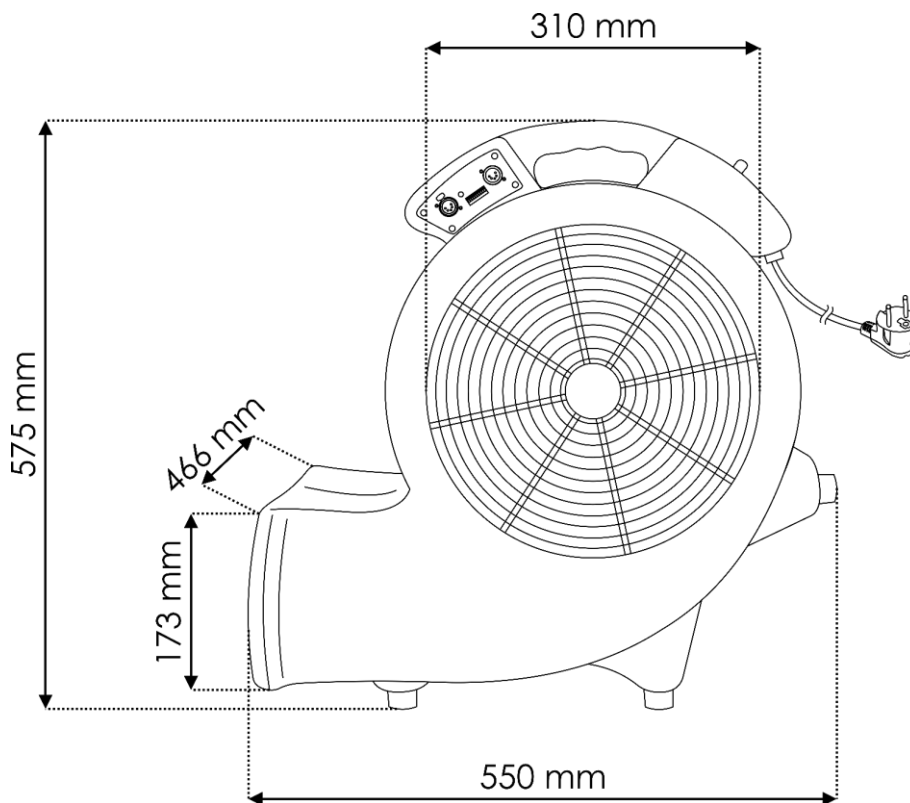
- 01) Check the DMX setting. Make sure that DMX addresses are correct.
- 02) Check the DMX cable: Unplug the device; change the DMX cable; then reconnect to electrical power. Try your DMX control again.
- 03) Determine whether the controller or the device is at fault. Does the controller operate properly with other DMX products? If not, take the controller in for repair. If so, take the DMX cable and the device to a qualified technician.

| <b>Problem</b>  | <b>Probable cause(s)</b>  | <b>Solution</b>   |
|---|---|---|
| One or more devices do not function at all  | No power to the device  | <ul style="list-style-type: none"> <li>● Check if power is switched on and cables are plugged in</li> </ul>   |
|   | Internal fuse blown   | <ul style="list-style-type: none"> <li>● Return the device to your Antari dealer</li> </ul>   |
| Devices reset correctly, but all respond erratically or not at all to the controller  | The controller is not connected   | <ul style="list-style-type: none"> <li>● Connect controller</li> </ul>  |
|   | 3-pin OUT of the controller does not match XLR IN of the first device on the link (i.e. signal is reversed) | <ul style="list-style-type: none"> <li>● Install a phase reversing cable between the controller and the first device on the link</li> </ul>   |
| Devices reset correctly, but some respond erratically or not at all to the controller | Poor data quality   | <ul style="list-style-type: none"> <li>● Check data quality. If much lower than 100 percent, the problem may be a bad data link connection, poor quality or broken cables, missing termination plug, or a defective device disturbing the link</li> </ul> |
|   | Bad data link connection  | <ul style="list-style-type: none"> <li>● Inspect connections and cables. Correct poor connections. Repair or replace damaged cables</li> </ul>  |
|   | Data link not terminated with 120 Ohm termination plug  | <ul style="list-style-type: none"> <li>● Insert termination plug in output jack of the last device on the link</li> </ul>   |
|   | Incorrect addressing of the devices   | <ul style="list-style-type: none"> <li>● Check address setting</li> </ul>   |
|   | One of the devices is defective and disturbs data transmission on the link                                  | <ul style="list-style-type: none"> <li>● Bypass one device at a time until normal operation is regained: unplug both connectors and connect them directly together</li> <li>● Have the defective device serviced by a qualified technician</li> </ul>     |
|   | 5-pin OUT on the device does not match (pins 2 and 3 reversed)  | <ul style="list-style-type: none"> <li>● Install a phase-reversing cable between the devices or swap pin 2 and 3 in the device, that behaves erratically</li> </ul>   |
|   |   |   |
| The fan does not work   | Device is too hot   | <ul style="list-style-type: none"> <li>● Allow device to cool</li> <li>● Turn up the air conditioning</li> </ul>  |
|   | Fan is damaged  | <ul style="list-style-type: none"> <li>● Disconnect device and return to your dealer</li> </ul>   |
|   | The power supply settings do not match local AC voltage and frequency                                       | <ul style="list-style-type: none"> <li>● Disconnect device. Check settings and correct if necessary</li> </ul>  |



## Product Specifications

|                                  |                                  |
|----------------------------------|----------------------------------|
| Model:                           | Antari AF-5E DMX Fan             |
| Input voltage:                   | 240 V AC, 50/60 Hz               |
| Peak power:                      | 3000 W                           |
| Continuous power consumption:    | 1100 W                           |
| Maximum noise level:             | 57 dB                            |
| Airflow:                         | 50 m <sup>3</sup> /h             |
| Fan speed:                       | 1289 RPM                         |
| Control modes:                   | Manual, DMX-512                  |
| DMX mode:                        | 1 channel                        |
| Color:                           | Black                            |
| Housing:                         | Metal, plastic                   |
| Data connection:                 | 5-pin XLR IN/OUT                 |
| Power connection:                | Fixed Schuko power cable (1,6 m) |
| IP rating:                       | IP20                             |
| Dimensions:                      | 550 x 466 x 575 mm (LxWxH)       |
| Weight:                          | 18 kg                            |
| Max. ambient temperature $t_a$ : | 40 °C                            |
| <b>Minimum distance:</b>         |                                  |
| Minimum distance from surfaces:  | 0,5 m                            |
| Minimum distance from objects:   | 0,5 m                            |



Design and product specifications are subject to change without prior notice.



Website: [www.Showtec.info](http://www.Showtec.info)  
 Email: [service@highlite.com](mailto:service@highlite.com)









©2021 Antari