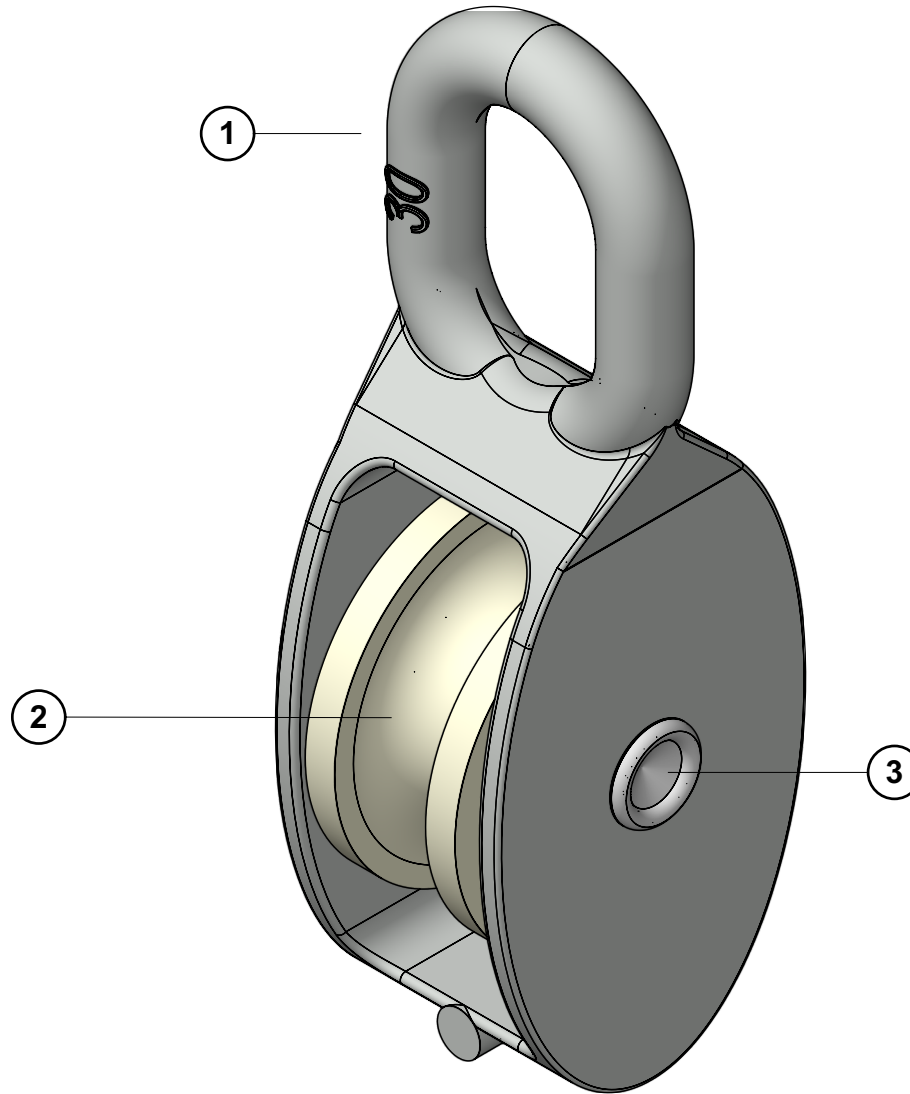


Item name	Material info
1. Body part	Galvanized steel
2. Wheel	Plastic
3. Rivet	steel



creative textile solutions

*This document, or parts thereof must not be communicated to any third party, or reproduced in any form or media without the prior written consent of WENTEX.*

*This project has been granted a limited term non-exclusive license to utilise the designs and other proprietary information provided by WENTEX in connection with this project. For this project only.*

<b>PROJECT NAME</b>		
Eurotrack		
<b>CLIENT</b>		
WENTEX		
<b>ITEM NAME</b>		
Universal mounting bracket		
<b>ITEM CODE</b>		
89531;		
<b>MATERIAL INFO</b>		
-Steel body, rivet -Plastic wheel		
<b>SURFACE FINISH</b>		
(RAL9005) powder coated		
<b>SCALE</b>	<b>PAPER</b>	<b>DIMENSIONS</b>
2x	A4	mm
<b>DRAWN BY</b>		<b>PRINT DATE</b>
AJ		14.04.2020
<b>REMARK</b>		
<b>SHEET NUMBER</b>		
001		