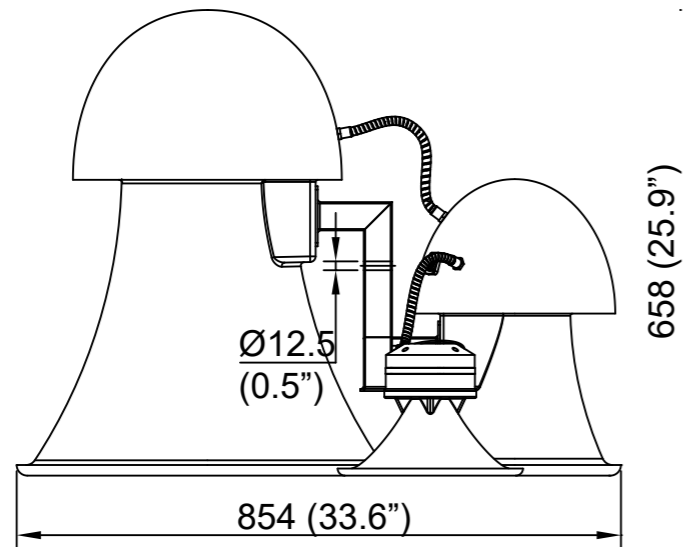
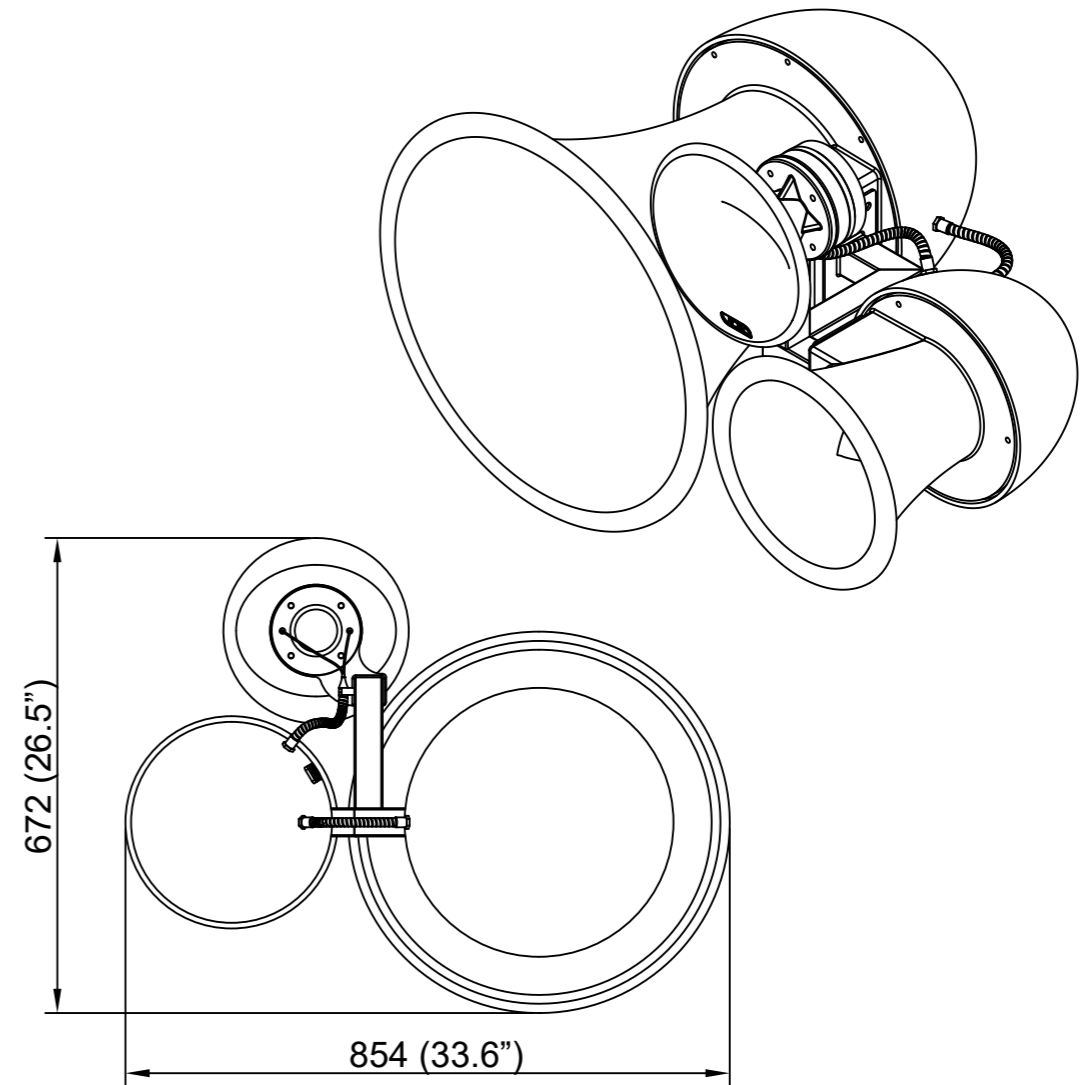
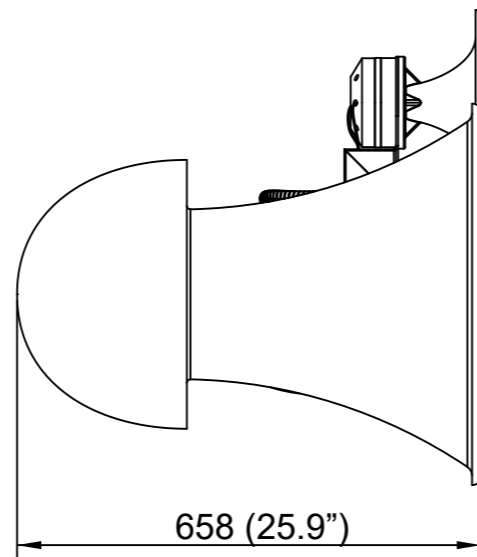
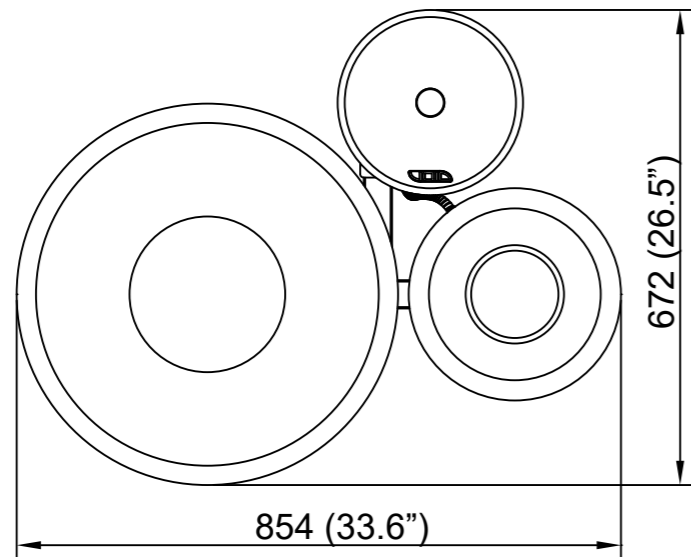
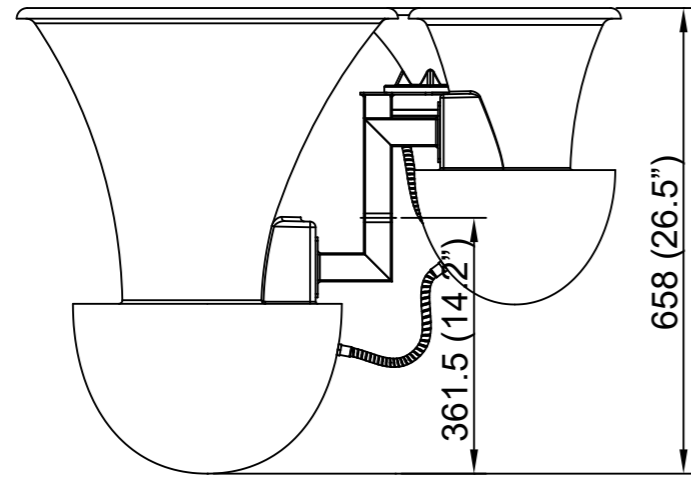


IF IN DOUBT ASK



TITLE: AIR MOTION (RIGHT HANDED)		DRAWING No.	
PROJECT:	SAP No.	REV.	
MATERIAL:	TOLERANCE (mm)	EST. WEIGHT (KG)	
FINISH:	COLOR:	TEXTURE:	
THIRD ANGLE PROJECTION TO BS 8888		SCALE: NOT TO SCALE	SHEET 1 OF 1 SHEETS A3
VOID VOIDACOUSTICS.COM			
REPRODUCTION OF ANY PART OF THIS DOCUMENT IS FORBIDDEN WITHOUT PRIOR PERMISSION FROM VOID ACOUSTICS. © DESIGN COPYRIGHT RESERVED. CONFIDENTIAL AND PROPRIETARY INFORMATION OF VOID ACOUSTICS.			