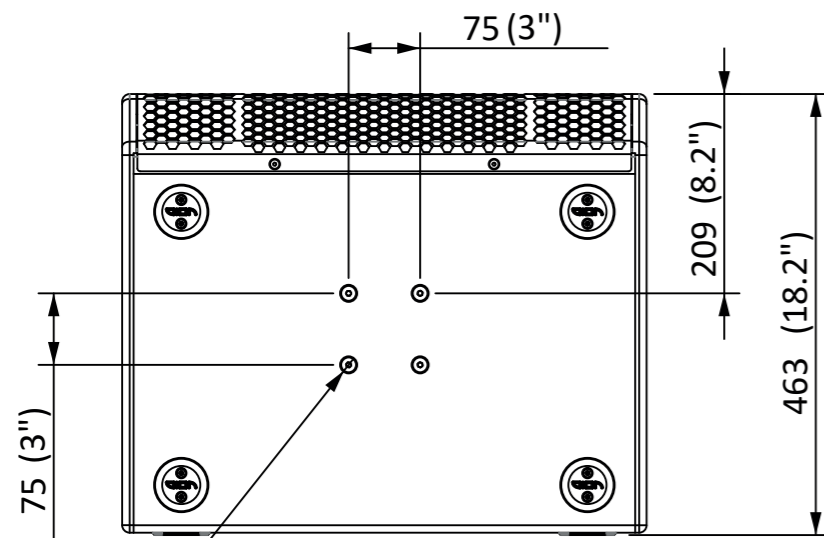
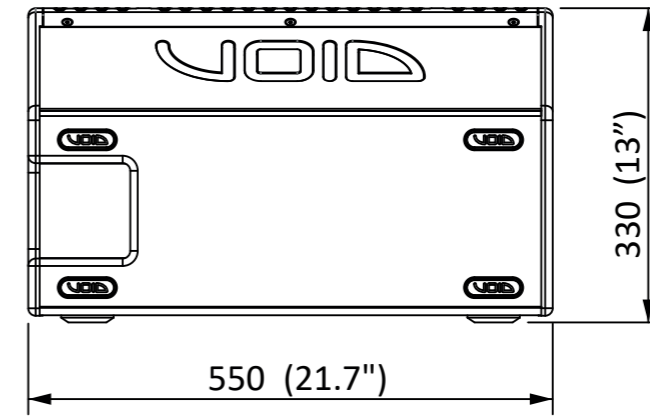
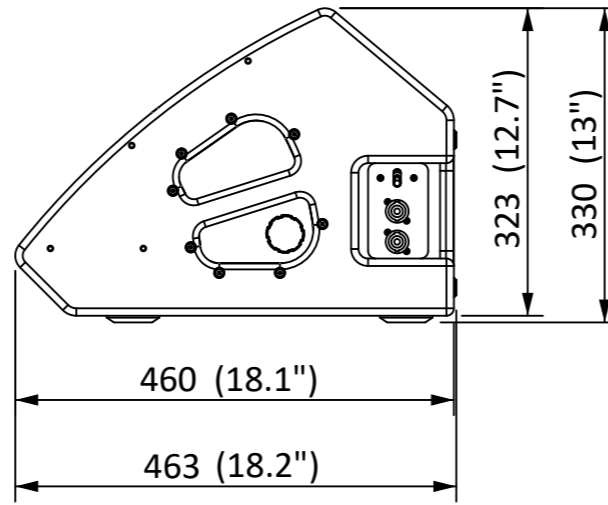
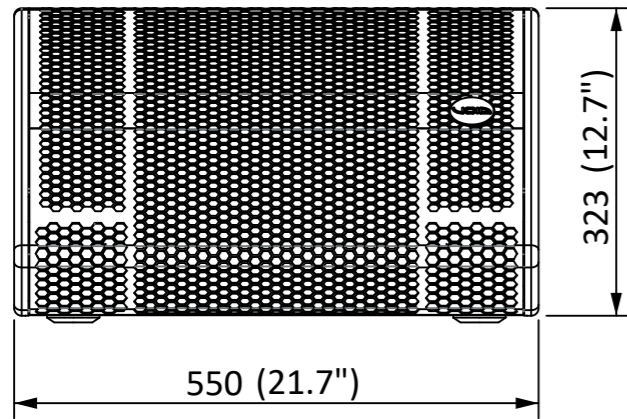
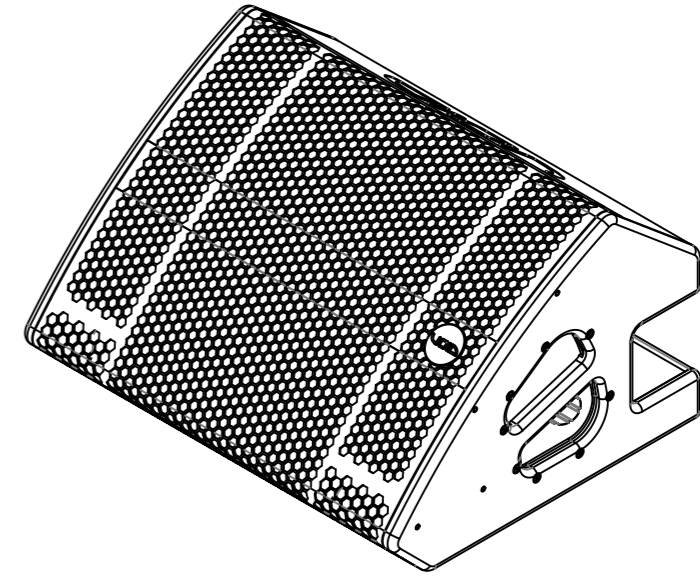
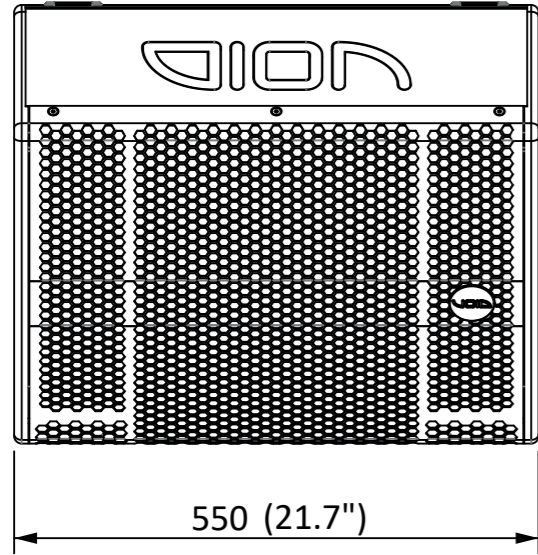


IF IN DOUBT ASK



4X M8 Fixtures

	NAME	DATE	DIMENSIONS IN MILLIMETRES			
DRAWN	Shen	22/11/2018	FABRICATION UNLESS OTHERWISE STATED		MACHINING UNLESS OTHERWISE STATED	
CHECKED			UP TO 500mm +/-0.5mm	0.0 mm +/-0.2 mm	BREAK EDGE	
			500mm - 1m +/-1.0mm	0.0 mm +/-0.1mm	0.05 - 0.15mm	
			1m - 5m +/-2.0mm	0.00mm +/-0.1mm	FILLET RADS	
			5m - 10m +/-5.0mm	0.000mm +/-0.01mm	0.1 - 0.3mm	
APPROVED			ANGULAR ±1°	ANGULAR ±0.5°		
			SURFACE TEXTURE VALUES IN MICROMETRES (µ) TO BS1134:PT2. ALL MACHINED SURFACES TO BE ✓ ALL SCREW THREADS TO BS3643 PT2:			

TITLE: ArcM-12 ASSEMBLY		DRAWING No. SP10018_001	
PROJECT: ArcM-12		SAP No.	REV. A
MATERIAL:	GAUGE: (mm)	EST. WEIGHT: (Kg)	
FINISH:	COLOUR:	TEXTURE:	
THIRD ANGLE PROJECTION TO BS 8888	SCALE: 1:8	SHT 1 OF 1 SHTS	SHEET: A3



REPRODUCTION OF ANY PART OF THIS DOCUMENT IS FORBIDDEN WITHOUT PRIOR PERMISSION FROM VOID ACOUSTICS.
C DESIGN COPYRIGHT RESERVED.
CONFIDENTIAL AND PROPRIETARY INFORMATION OF VOID ACOUSTICS.