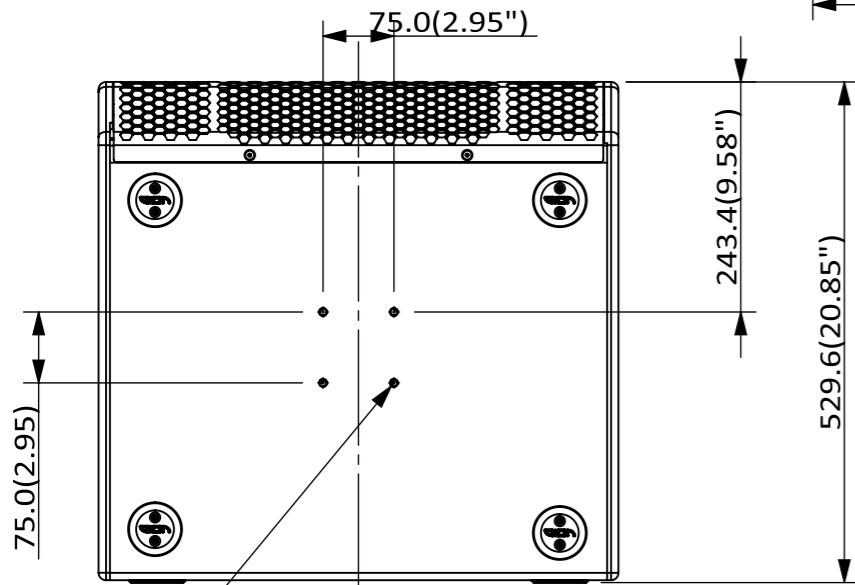
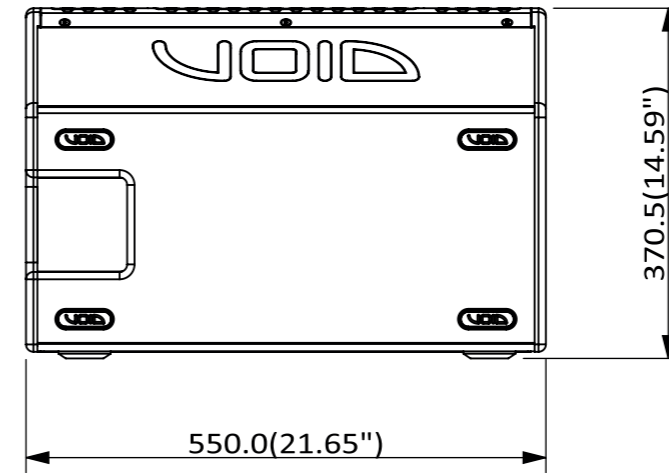
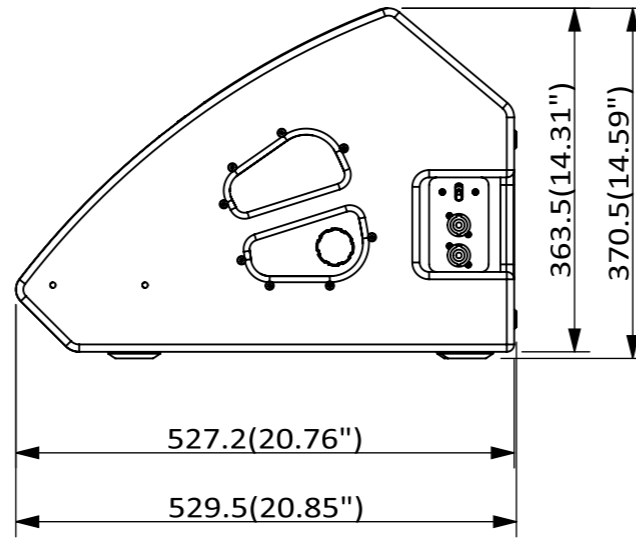
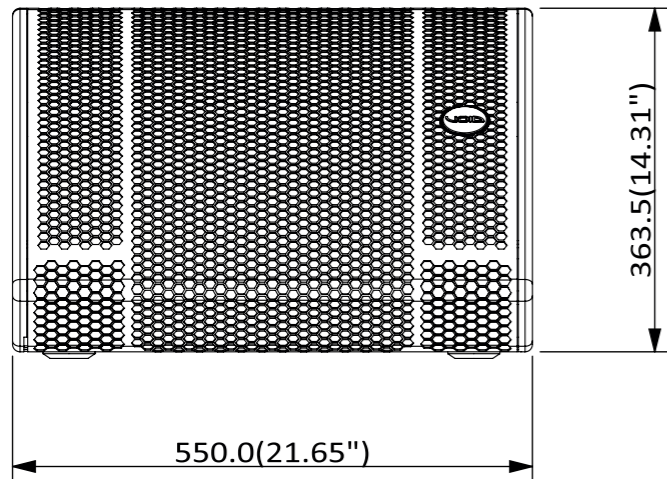
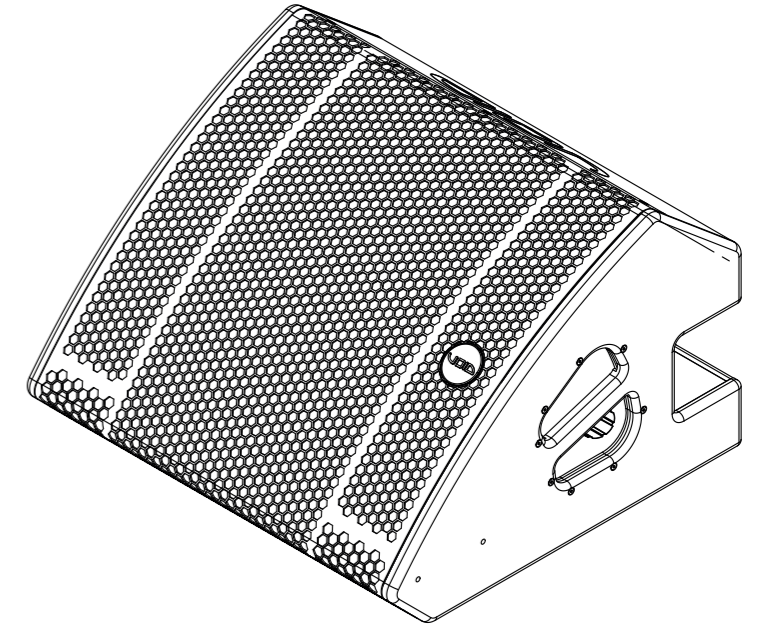
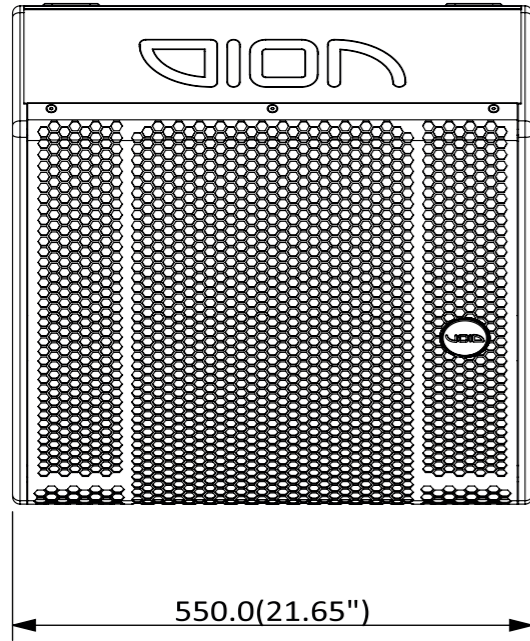


IF IN DOUBT ASK



4 x M8 Fixtures

	NAME	DATE	DIMENSIONS IN MILLIMETRES				
DRAWN	Shen	22/11/2018	UNLESS OTHERWISE STATED				
CHECKED			FABRICATION		MACHINING		
			UP TO 500mm	+/-0.5mm	0, mm	+/- 0,5 mm	BREAK EDGE
APPROVED			500mm - 1m	+/-1,0mm	0,0 mm	+/- 0,2 mm	0.05 - 0.15mm
			1m - 5m	+/-2,0mm	0,00mm	+/- 0,1mm	FILLET RADS
			5m - 10m	+/-5,0mm	0,000mm	+/- 0,01mm	0.1 - 0.3mm
			ANGULAR	±1°	ANGULAR	±0.5°	
			SURFACE TEXTURE VALUES IN MICROMETRES (µ) TO BS1134 PT2				
			ALL MACHINED SURFACES TO BE				
			ALL SCREW THREADS TO BS3643 PT2:				

TITLE: ArcM-15 ASSEMBLY		DRAWING No. SP10008_001	
PROJECT: ArcM-15		SAP No.	REV. A
MATERIAL:	GAUGE: (mm)	EST. WEIGHT: (Kg)	
FINISH:	COLOUR:	TEXTURE:	
THIRD ANGLE PROJECTION TO BS 8888		SCALE: 1:8	SHT 1 OF 1 SHTS A3



REPRODUCTION OF ANY PART OF THIS DOCUMENT IS FORBIDDEN WITHOUT PRIOR PERMISSION FROM VOID ACOUSTICS.
 CONFIDENTIAL AND PROPRIETARY INFORMATION OF VOID ACOUSTICS.