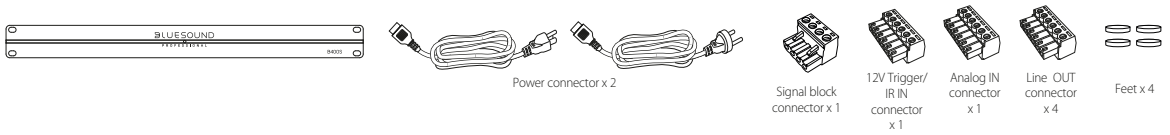


WHAT'S IN THE BOX

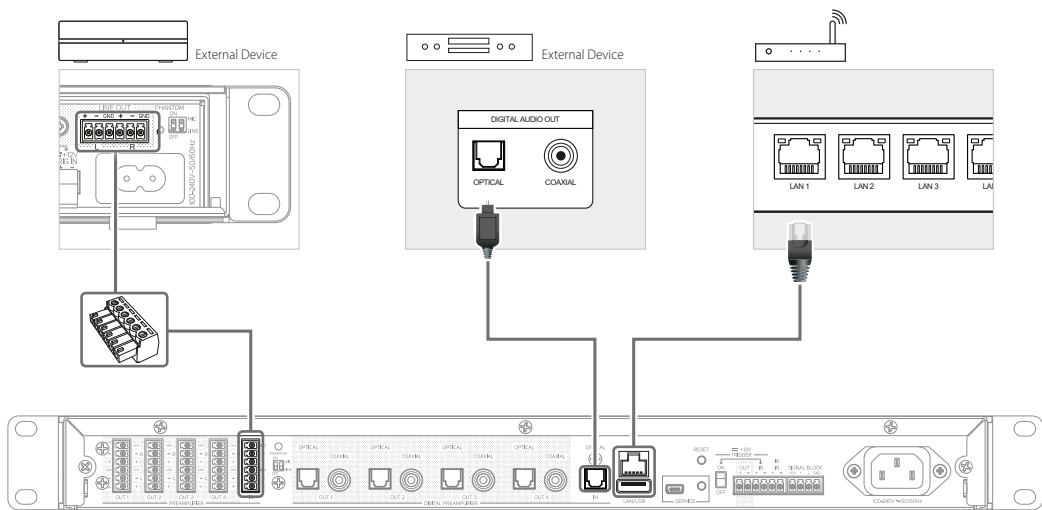


IMPORTANT

- Download the latest B400S Owner's manual from the Manuals/Downloads tab of www.bluesoundprofessional.com/product/B400S
- Visit support.bluesound.com for further assistance and information about getting the most out of the B400S.

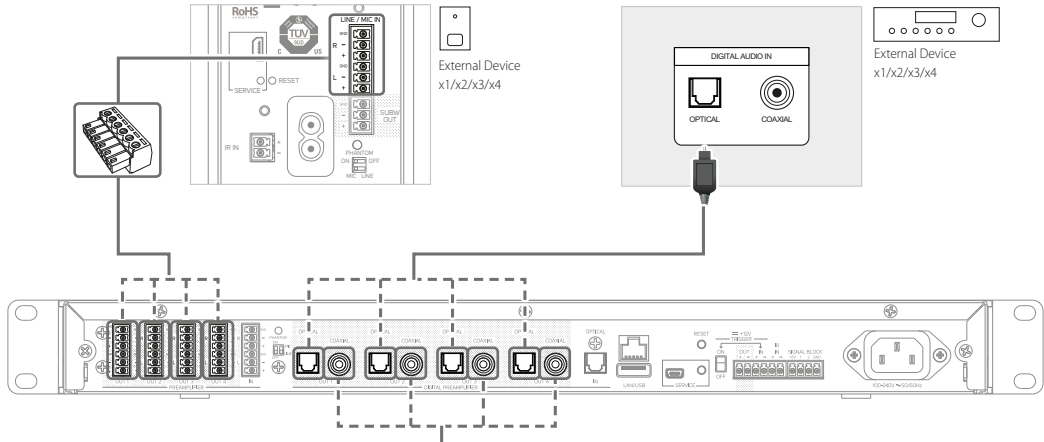
CONNECT

INPUT DEVICE AND ETHERNET CABLE

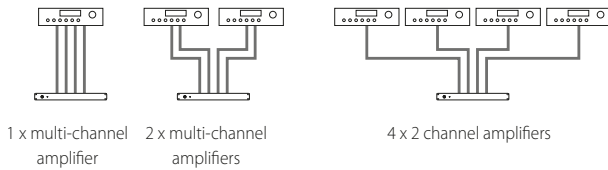


CONNECT

OUTPUT DEVICES



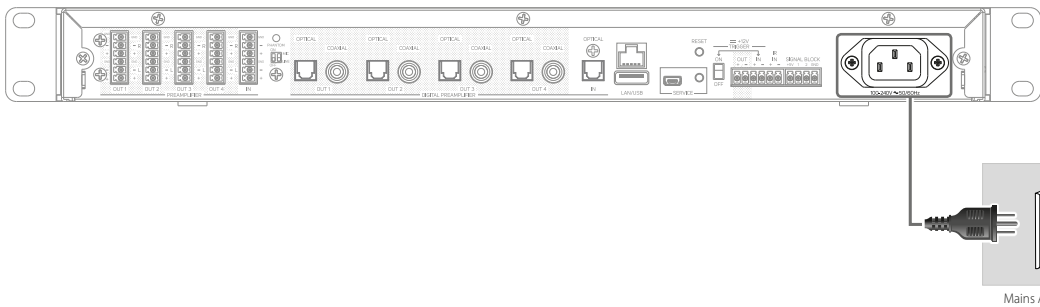
EXAMPLE CONFIGURATIONS



NOTE

Pre-amplifier and digital pre-amplifier output ports can be connected to a device with corresponding number and type of input ports or to individual devices with appropriate type of input ports.

POWER UP!



DOWNLOAD

BluOS CONTROLLER APP

The BluOS Controller App for Apple iOS devices (iPhone, iPad, iPod), Android devices, Kindle Fire and Windows or Mac desktops are available for download from their respective App stores.



Launch the BluOS Controller App to configure your B400S as well as explore everything from your streaming music services, internet radio stations, networked music collections and favorites with quick and easy single-search discovery.