

Cyclone Series

User Guide V1.1



VOID

©2019 Void Acoustics Research Ltd.

Version 1.1

This user guide is subject to change without notice.
For the latest online version, visit: www.voidacoustics.com

Void Acoustics and the Void logo are registered trademarks of Void Acoustics Research Ltd. in the United Kingdom, USA and other countries; all other Void trademarks are the property of Void Acoustics Research Ltd.

Contents

| | | | | | |
|----------|--|-----------|-----------|---|-----------|
| 1 | Safety and regulations | 4 | 7 | System design | 23 |
| 1.1 | Important safety instructions | 4 | 7.1 | System design principles | 23 |
| 1.2 | Limitations | 4 | 7.2 | Loudspeaker placement and positioning | 24 |
| 1.3 | EC declaration of conformity | 4 | 7.3 | Bass alignment - delay times | 27 |
| 1.4 | WEEE directive | 4 | | | |
| 2 | Limited warranty | 5 | 8 | Mounting | 28 |
| 3 | Unpacking and Checking | 6 | 8.1 | Installation safety | 28 |
| 4 | About | 7 | 8.2 | Cyclone 8/10 wall mounting | 29 |
| 4.1 | Welcome | 7 | 8.3 | Cyclone 8/10 ceiling mounting | 31 |
| 4.2 | Cyclone Series overview | 7 | 8.4 | Cyclone 55 wall/ceiling mounting | 33 |
| | | | 8.5 | Cyclone 10 horn rotation for mounting in landscape mode | 35 |
| 5 | Specifications and dimensions | 8 | 8.6 | Cyclone Bass wall mounting | 37 |
| 5.1 | Cyclone 10 | 8 | 8.7 | Cyclone Bass ceiling mounting | 39 |
| 5.1.1 | Key features | 8 | 9 | Service | 41 |
| 5.1.2 | Cyclone 10 specifications | 8 | 9.1 | Return authorisation | 41 |
| 5.1.3 | Cyclone 10 dimensions | 9 | 9.2 | Shipping and packing considerations | 41 |
| 5.2 | Cyclone 55 | 10 | 10 | Appendix | 42 |
| 5.2.1 | Key features | 10 | | | |
| 5.2.2 | Cyclone 55 specifications | 10 | | | |
| 5.2.3 | Cyclone 55 dimensions | 11 | | | |
| 5.3 | Cyclone 8 | 12 | | | |
| 5.3.1 | Key features | 12 | | | |
| 5.3.2 | Cyclone 8 specifications | 12 | | | |
| 5.3.3 | Cyclone 8 dimensions | 13 | | | |
| 5.4 | Cyclone Bass | 14 | | | |
| 5.3.1 | Key features | 14 | | | |
| 5.3.2 | Cyclone Bass specifications | 14 | | | |
| 5.3.3 | Cyclone Bass dimensions | 15 | | | |
| 6 | Cabling and wiring | 16 | | | |
| 6.1 | Electrical safety | 16 | | | |
| 6.2 | Cable considerations for fixed installations | 16 | | | |
| 6.3 | Phoenix connector | 16 | | | |
| 6.4 | Cyclone glanded connector wiring | 17 | | | |
| 6.5 | Cyclone 10 wiring diagram | 19 | | | |
| 6.6 | Cyclone 55 wiring diagram | 19 | | | |
| 6.7 | Cyclone 8 wiring diagram | 20 | | | |
| 6.8 | Cyclone Bass wiring diagram | 20 | | | |
| 6.9 | Bias D1/Q2 Phoenix wiring | 21 | | | |
| 6.10 | Bias Q5 speakON™ wiring | 22 | | | |

1 Safety and regulations

1.1 Important safety instructions



The lightning flash with an arrowhead symbol within an equilateral triangle is intended to alert the user to the presence of uninsulated "dangerous voltage" within the product's enclosure that may be of sufficient magnitude to constitute a risk of electric shock to persons.



The exclamation point within an equilateral triangle is intended to alert the user of the presence of important operating and maintenance (servicing) instructions in the literature accompanying the appliance.

Safety instructions - read this first

1. Read these instructions.
2. Keep these instructions.
3. Heed all warnings.
4. Follow all instructions.
5. Do not use this apparatus near water.
6. Clean only with a dry cloth.
7. Do not block any ventilation openings. Install in accordance with the manufacturer's instructions.
8. Do not install near any heat source such as radiators, heat registers, stoves, or other such apparatus that produce heat.
9. Do not defeat the safety purpose of the grounding-type plug. A grounding type plug has two blades and a third grounding prong. The third prong is provided for your safety. If the provided plug does not fit into your outlet, consult an electrician for replacement of the obsolete outlet.
10. Protect power cords from being walked on or pinched particularly at plugs, convenience receptacles, and the point where they exit the apparatus.
11. Only use attachments and accessories specified by Void Acoustics.
12. Only use with the cart, stand, tripod, bracket, or table specified by the manufacturer, or sold with the apparatus. When a cart is used, use caution when moving the cart/apparatus combination to avoid injury from tip-over.
13. Unplug the apparatus during lightning storms or when unused for long periods of time.
14. Refer all servicing to qualified service personnel. Servicing is required when the apparatus has been damaged in any way, such as when the power-supply cord or plug is damaged, liquid has been spilled or objects have fallen into the apparatus, the apparatus has been exposed to rain or moisture, does not operate normally, or has been dropped.
15. Since the mains power supply cord attachment plug is used to disconnect the device, the plug should always be easily accessible.
16. Void loudspeakers can produce sound levels capable of causing permanent hearing damage from prolonged exposure. The higher the sound level, the less exposure needed to cause such damage. Avoid prolonged exposure to the high sound levels from the loudspeaker.

1.2 Limitations

This guide is provided to help familiarise the user with the loudspeaker system and its accessories. It is not intended to provide comprehensive electrical, fire, mechanical and noise training and is not a substitute for industry-approved training. Nor does this guide absolve the user of their obligation to comply with all relevant safety legislation and codes of practice.

While every care has been taken in creating this guide, safety is user-dependent and Void Acoustics Research Ltd cannot guarantee complete safety whenever the system is rigged and operated.

1.3 EC declaration of conformity

Manufacturer:

Void Acoustics Research Ltd,
Unit 15 Dawkins Road Ind Est,
Poole, Dorset,
BH15 4JY,
United Kingdom.



We declare the under our sole responsibility the following product models: Cyclone 8, 10, 55 and Bass

are intended to be used as loudspeakers and are in conformity with the following EC Directives, including all amendments, and with national legislation implementing these directives:

- BS EN 60065:2002
- BS EN 55103-1/-2

March 2016

Alex Skan
Technical Director

1.4 WEEE directive

If the time arises to throw away your product, please recycle all the components possible.



This symbol indicates that when the end-user wishes to discard this product, it must be sent to separate collection facilities for recovery and recycling. By separating this product from other household-type waste, the volume of waste sent to incinerators or land-fills will be reduced and natural resources will thus be conserved.

The Waste Electrical and Electronic Equipment Directive (WEEE Directive) aims to minimise the impact of electrical and electronic goods on the environment. Void Acoustics Research Ltd complies with the Directive 2002/96/EC and 2003/108/EC of the European Parliament on waste electrical and electronic equipment (WEEE) in order to reduce the amount of WEEE that is being disposed of in land-fill sites. All of our products are marked with the WEEE symbol; this indicates that this product must NOT be disposed of with other waste. Instead it is the user's responsibility to dispose of their waste electrical and electronic equipment by handing it over to an approved reprocessor, or by returning it to Void Acoustics Research Ltd for reprocessing. For more information about where you can send your waste equipment for recycling, please contact Void Acoustics Research Ltd or one of your local distributors.

2 Limited warranty

The warranty

For a period of three (3) years from the date of delivery to the original purchaser (as shown on the original invoice or sales receipt; a copy of this may be required as proof of warranty dates), Void Acoustics Research Ltd (hereinafter 'Void') warrants to the Original Owner (person or company who originally purchased the product brand new from either Void or a Void Authorised Dealer/Distributor) of each new Cyclone Series product (provided it was purchased at an Authorised Void Dealer) that it is free of defects in materials and workmanship and that each product will meet or exceed all factory published specifications for each respective model. Void agrees to repair or replace (at its discretion) all defective parts at no charge for labour or materials; subject to following provisions:

Warranty violations

Void shall take no responsibility for repair or replacement as specified under this warranty, if the damaged product has been subject to misuse, accident, neglect or failure to comply with normal maintenance procedures; or if the serial number has been defaced, altered or removed. Nor will Void accept responsibility for, or resulting from, improper alterations or unauthorised parts or repairs. This warranty does not cover any damage to speakers or any other consequential damage resulting from breach of any written or implied warranty.

Void warranty provisions

Void will remedy any defect, regardless of the reason for failure (except as excluded) by repair, or replacement. Void will remedy the defect and ship the product within a reasonable time after receipt of the defective product at a Void Authorised Service Centre.

To obtain warranty service

If a Void product requires service, the Owner must contact Void or an Authorised Void Service Centre to receive an R.A.N. (Return Authorisation Number) and instructions on how to return the product to the Void Authorised Service Centre, or to Void.

Void (or its Authorised Service Centre) will initiate corrective repairs upon receipt of the returned product. Please save the original carton and all the packing materials in case shipping is required. All products being returned to the factory or service centre for repairs must be shipped prepaid.

If the repairs made by Void or the Void Authorised Service Centre are not satisfactory, the Owner is instructed to give written notice to Void. If the defect or malfunction remains after a reasonable number of attempts by Void to remedy the defect or malfunction, the Original Owner shall then have the option to elect either a refund or replacement of said Void product free of charge. The refund shall be an amount equal to but not greater than the actual purchase price, not including any taxes, interest, insurance, closing costs and other finance charges (minus reasonable depreciation on the product). If a refund is necessary, the Original Owner must make the defective or malfunctioning product available to Void free and clear of all liens or other restrictions.

Equipment modifications

Technical and design specifications are subject to change without notice.

Void reserves the right to modify or change equipment (in whole or part) at any time prior to delivery thereof, in order to include therein electrical or mechanical improvements deemed appropriate by Void, but without incurring any liability to modify or change any equipment previously delivered, or to supply new equipment in accordance with any earlier specifications.

Disclaimer of consequential and incidental damages

You, the Original Owner, are not entitled to recover from Void any incidental damages resulting from any defect in the Void product.

This includes any damage to another product or products resulting from such a defect.

Warranty alterations

No person has the authority to enlarge, amend, or modify this Warranty. This Warranty is not extended by the length of time which the Original Owner is deprived of the use of product. Repairs and replacement parts provided pursuant to the Warranty shall carry only the non-expired portion of the Warranty.

This Statement of Warranty supersedes all others contained in this user guide.

3 Unpacking and checking

All Void Acoustics products are carefully manufactured and thoroughly tested before being dispatched. Your dealer will ensure that your Void products are in pristine condition before being forwarded to you but mistakes and accidents can happen.

Before signing for your delivery:

- Inspect your shipment for any signs of contamination, abuse or transit damage as soon as you receive it
- Check your Void Acoustics delivery fully against your order
- If your shipment is incomplete or any of its contents are found to be damaged; inform the shipping company and inform your dealer.

When you are removing your Cyclone Series loudspeaker from its original packaging:

- Cyclone Series loudspeakers come double boxed are stapled shut; take care when unboxing and removing the staples to avoid injury or damage to the loudspeaker
- If you need to place the loudspeaker on a flat surface ensure you use a lint free product to protect the finish
- When you have removed the Cyclone Series loudspeaker from the packaging inspect it to ensure there is no damage and keep all original packaging in case it needs to be returned for any reason.

See section 2 for warranty conditions and see section 9 if your product needs service.

4 About

4.1 Welcome

Many thanks for purchasing this Void Acoustics Cyclone Series loudspeaker. We truly appreciate your support. At Void, we design, manufacture and distribute advanced professional audio systems for the installed and live sound market sectors. Like all Void products, our highly skilled and experienced engineers have successfully combined pioneering technologies with groundbreaking design aesthetics, to bring you superior sound quality and visual innovation. In buying this product, you are now part of the Void family and we hope using it brings you years of satisfaction. This guide will help you both use this product safely and ensure it performs to its full capability.

4.2 Cyclone Series overview

This range of beautifully sculpted loudspeakers uses a combination of marine-grade 316 stainless steel hardware and a UV-stabilised finish to ensure every Cyclone product is durable and robust in wide range of outdoor environments that involve exposure to the elements. Whatever the weather, Cyclone is sure to kick up a storm.

5 Specifications and dimensions

5.1 Cyclone 10

5.1.1 Key features:

- Compact fibreglass enclosure
- Non-resonant structure
- Marine-grade stainless steel fittings
- UV resilient paint
- Custom colours available

5.1.2 Cyclone 10 specifications

| | |
|-----------------------------|--|
| Frequency response | 52 Hz - 22 kHz \pm 3 dB |
| Efficiency ¹ | 97 dB 1W/1m |
| Crossover points | 2.1 kHz passive |
| Nominal impedance | 8 Ω |
| Power handling ² | 350 W AES |
| Maximum output ³ | 123 dB cont, 126 dB peak |
| Driver configuration | 1 x 10" LF, 1 x 1" HF compression driver |
| Dispersion | 90°H x 60°V |
| Connectors | Phoenix connectors with link out |
| Height | 493 mm (19.4") |
| Width | 320 mm (12.6") |
| Depth | 230 mm (9.1") |
| Weight | 14.5 kg (32 lbs) |
| Enclosure | Fibreglass |
| Rigging | Optional Easy Hang XL wall bracket |
| Finish | Smooth cellulose |

¹ Measured in half space ² AES2 - 1984 compliant ³ Calculated

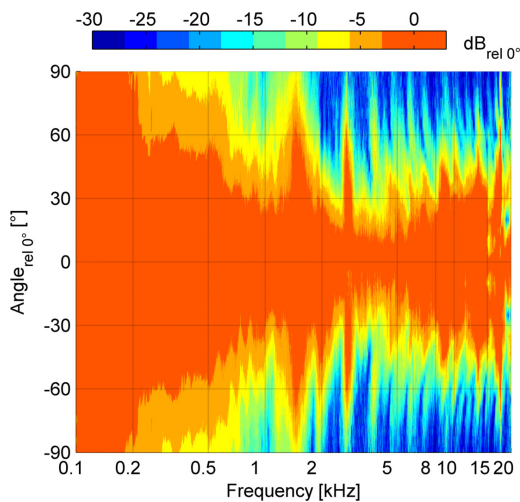


Figure 5.1: Horizontal directivity isobars

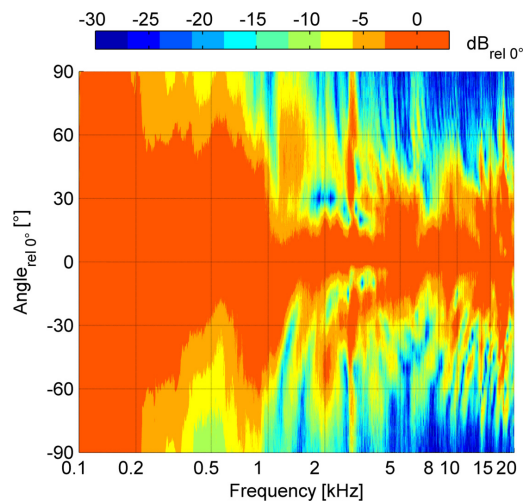


Figure 5.2: Vertical directivity isobars

5 Specifications and dimensions

5.1.3 Cyclone 10 dimensions

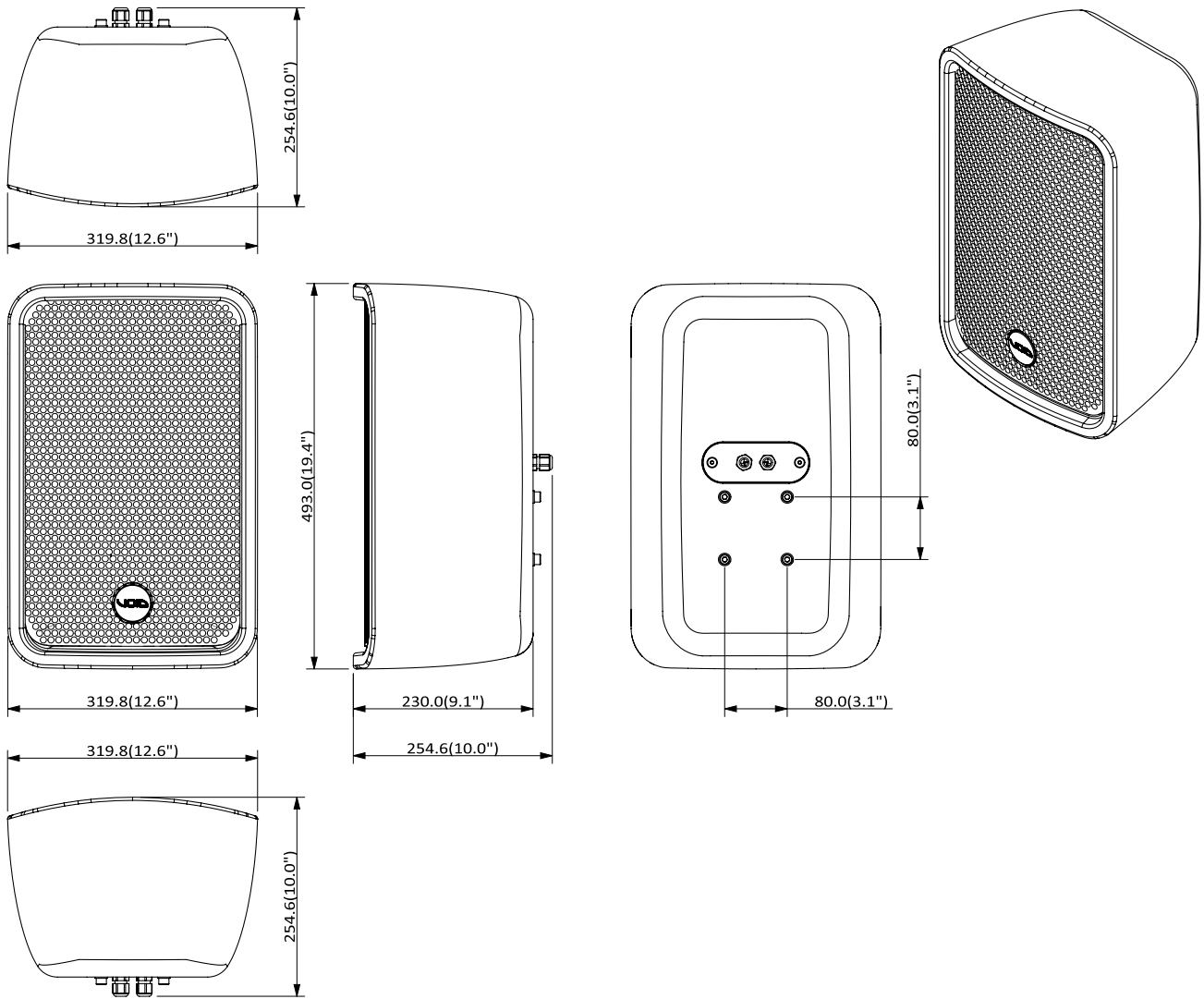


Figure 5.3: Dimensions

5 Specifications and dimensions

5.2 Cyclone 55

5.2.1 Key features:

- Compact fibreglass enclosure
- Non-resonant structure
- Wide dispersion pattern
- Marine-grade stainless steel fittings
- UV resilient paint
- Custom colours available

5.2.2 Cyclone 55 specifications

| | |
|-----------------------------|---|
| Frequency response | 70 Hz - 23 kHz ± 3 dB |
| Efficiency ¹ | 92 dB 1W/1m |
| Crossover points | 3.6 kHz passive |
| Nominal impedance | 16 Ω |
| Power handling ² | 120 W AES |
| Maximum output ³ | 110 dB cont, 114 dB peak |
| Driver configuration | 2 x 5" LF, 2 x 1" soft dome HF tweeters |
| Dispersion | 110°H x 70°V |
| Connectors | Phoenix connectors with link out |
| Height | 192 mm (7.6") |
| Width | 309 mm (12.2") |
| Depth | 207 mm (8.1") |
| Weight | 3.2 kg (7.1 lbs) |
| Enclosure | Fibreglass |
| Rigging | Wall bracket included, type 51 plate |
| Finish | Smooth cellulose |

¹ Measured in half space ² AES2 - 1984 compliant ³ Calculated

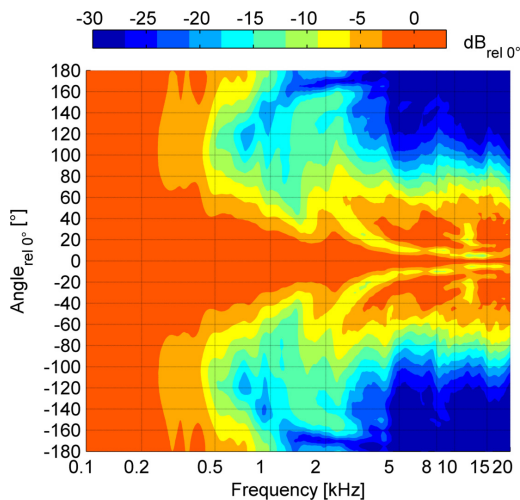


Figure 5.4: Horizontal directivity isobars

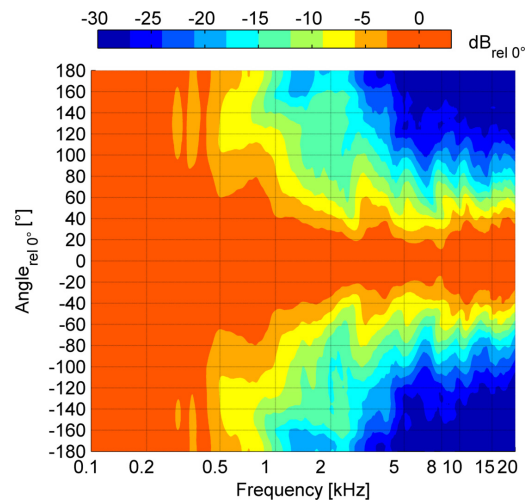


Figure 5.5: Vertical directivity isobars

5 Specifications and dimensions

5.2.3 Cyclone 55 dimensions

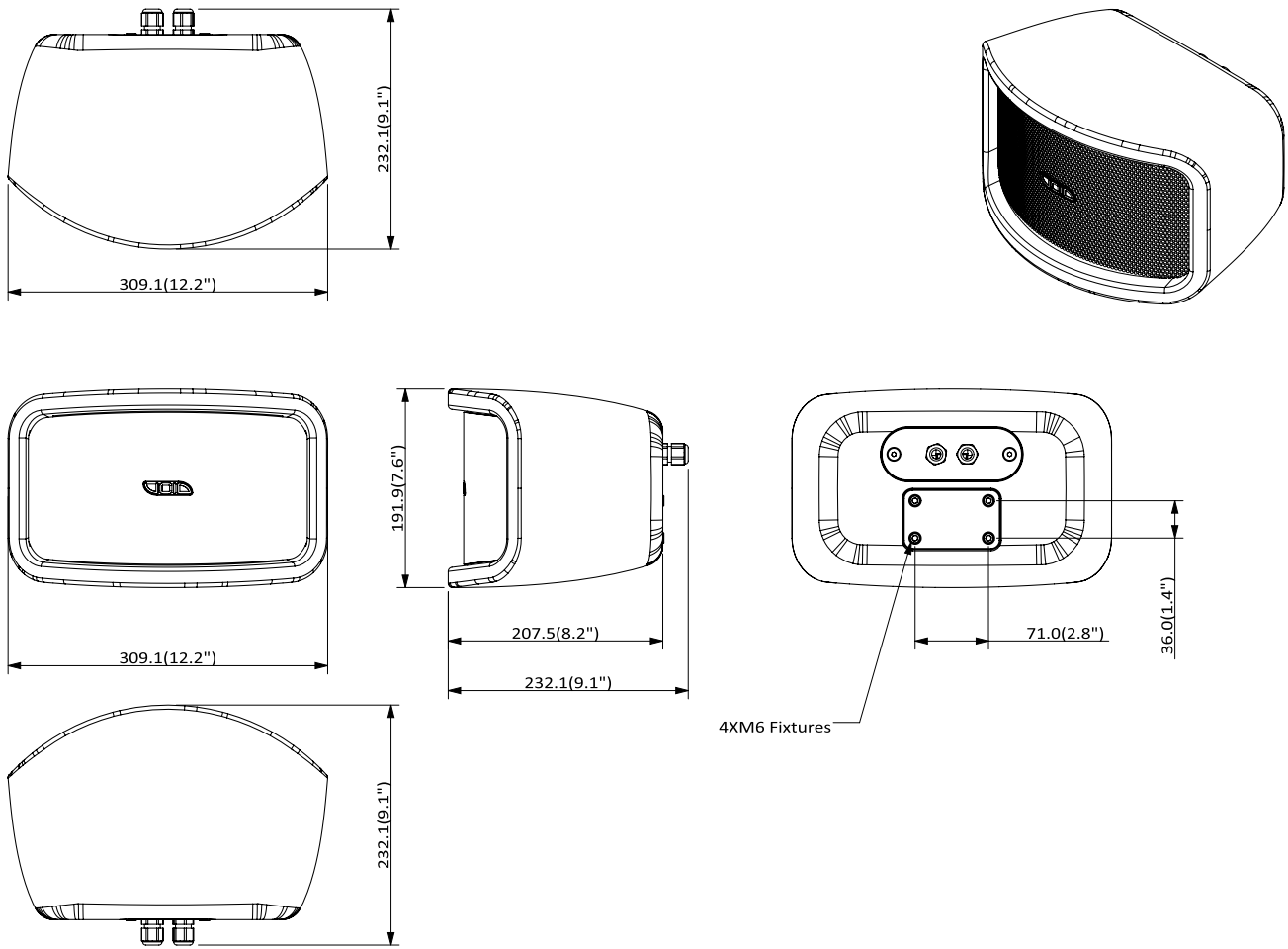


Figure 5.6: Dimensions

5 Specifications and dimensions

5.3 Cyclone 8

5.3.1 Key features:

- Compact fibreglass enclosure
- Non-resonant structure
- Marine-grade stainless steel fittings
- UV resilient paint
- Weather-protected
- Custom colours available

5.3.2 Cyclone 8 specifications

| | |
|-----------------------------|------------------------------------|
| Frequency response | 70 Hz - 20 kHz \pm 3 dB |
| Efficiency ¹ | 94 dB 1W/1m |
| Crossover points | 2 kHz passive |
| Nominal impedance | 8 Ω |
| Power handling ² | 200 W AES |
| Maximum output ³ | 118 dB cont, 121 dB peak |
| Driver configuration | 1 x 8" LF, 1 x 1" HF coaxial |
| Dispersion | 90°H x 90°V |
| Connectors | Phoenix |
| Height | 281 mm (11") |
| Width | 450 mm (17.7") |
| Depth | 317 mm (12.5") |
| Weight | 14 kg (31 lbs) |
| Enclosure | Fibreglass |
| Rigging | Optional Easy Hang XL wall bracket |
| Finish | Smooth cellulose |

¹ Measured in half space ² AES2 - 1984 compliant ³ Calculated

5 Specifications and dimensions

5.3.3 Cyclone 8 dimensions

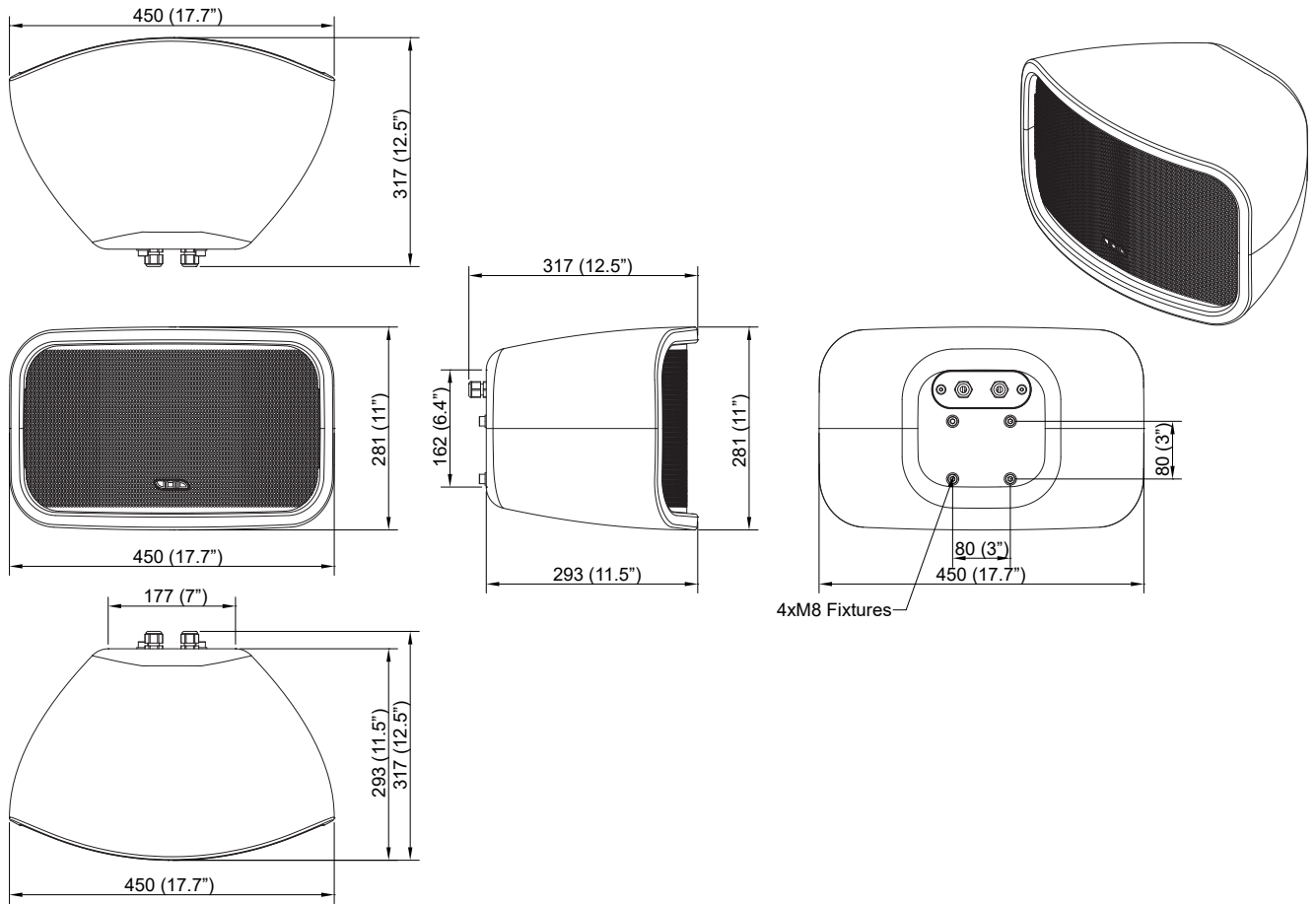


Figure 5.7: Dimensions

5 Specifications and dimensions

5.4 Cyclone Bass

5.4.1 Key features:

- Compact fibreglass enclosure
- Marine-grade stainless steel fittings
- UV resilient paint
- Custom colours available.

5.4.2 Cyclone Bass specifications

| | |
|-----------------------------|----------------------------------|
| Frequency response | 40 Hz - 160 Hz -3 dB |
| Efficiency ¹ | 97 dB 1W/1m |
| Crossover points | 80 Hz - 160 Hz Active |
| Nominal impedance | 8 Ω |
| Power handling ² | 600 W AES |
| Maximum output ³ | 123 dB cont, 129 dB peak |
| Driver configuration | 1 x 12" |
| Connectors | Phoenix connectors with link out |
| Height | 370 mm (14.6") |
| Width | 490 mm (19.3") |
| Depth | 455 mm (17.9") |
| Weight | 33.5 kg (73.9 lbs) |
| Enclosure | Fibreglass |
| Rigging | Type 75 plate |
| Finish | Smooth cellulose |

¹ Measured in half space ² AES2 - 1984 compliant ³ Calculated

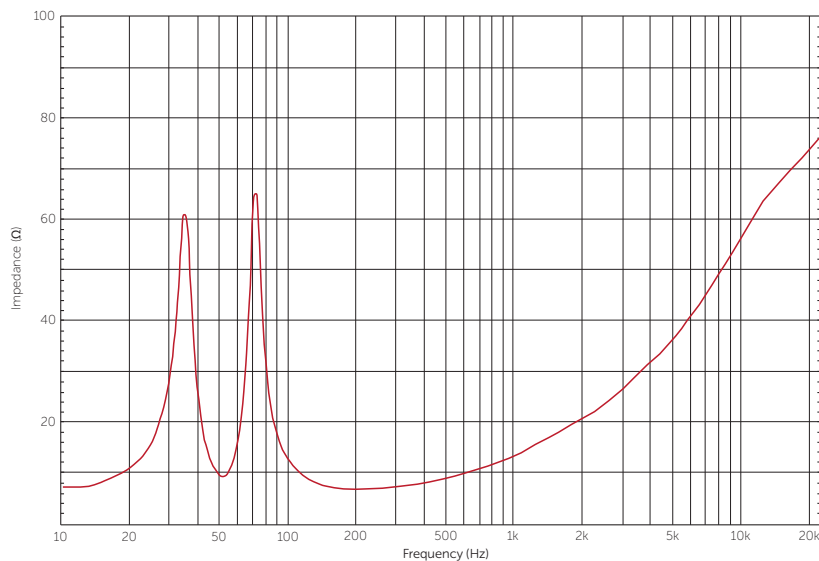


Figure 5.7: Impedance graph

5 Specifications and dimensions

5.4.3 Cyclone Bass dimensions

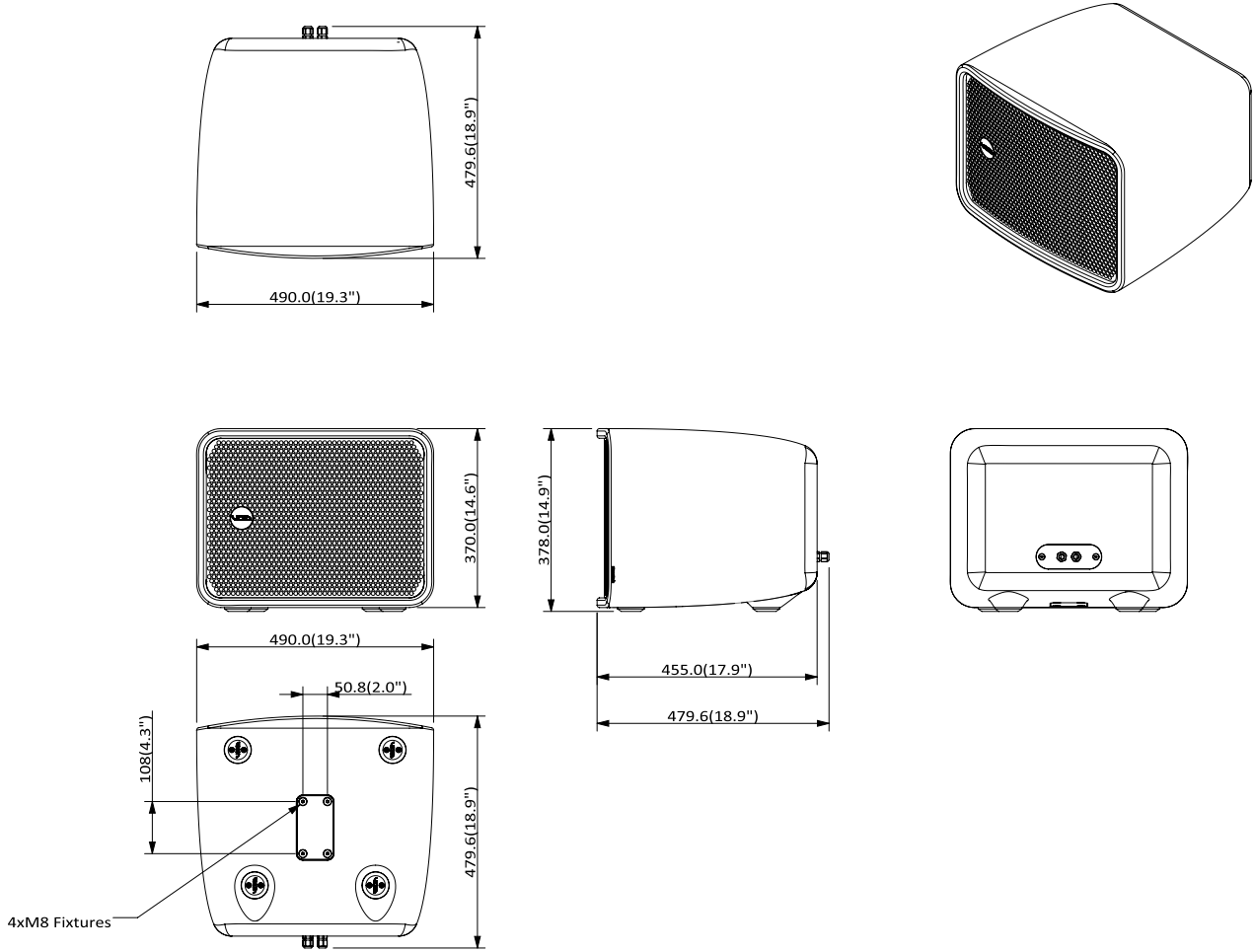


Figure 5.8: Dimensions

6 Cabling and wiring

6.1 Electrical safety



To avoid electrical hazards please note the following:

- Do not access the inside of any electrical equipment. Refer servicing to Void-approved service agents.

6.2 Cable considerations for fixed installations

We recommend specifying installation-grade Low Smoke Zero Halogen (LSZH) cables for permanent installations. The cables should use Oxygen Free Copper (OFC) of grade C11000 or above. Cables for permanent installations should be compliant with the following standards:

- IEC 60332.1 Fire retardancy of a single cable
- IEC 60332.3C Fire retardancy of bunched cables
- IEC 60754.1 Amount of Halogen Gas Emissions
- IEC 60754.2 Degree of acidity of released gases
- IEC 61034.2 Measurement of smoke density.

We suggest using the following maximum copper cable lengths to keep level losses below 0.6 dB.

| Metric mm ² | Imperial AWG | 16 Ω load | 8 Ω load | 4 Ω load | 2 Ω load |
|------------------------|--------------|-----------|----------|----------|----------|
| 2.50 mm ² | 13 AWG | 72 m | 36 m | 18 m | 9 m |
| 4.00 mm ² | 11 AWG | 120 m | 60 m | 30 m | 15 m |

6.3 Phoenix connector

Figure 6.1 shows the rear panel of a Cyclone Series loudspeaker with the polarity of the Phoenix connector labelled. When viewed from the rear the connectors are negative, positive, negative, positive, from left to right.

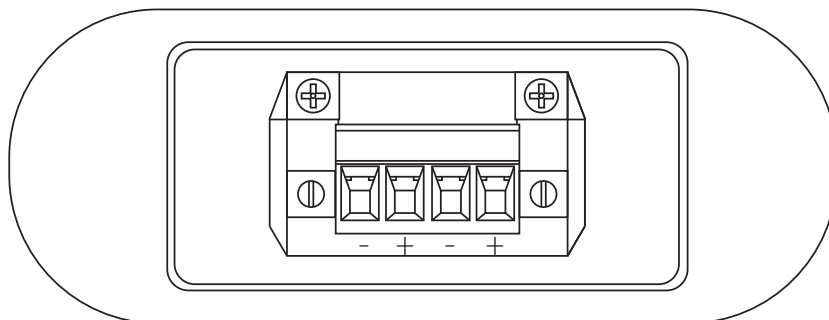


Figure 6.1: Phoenix connector diagram

6 Cabling and wiring

6.4 Cyclone glanded connector wiring

- Remove both M6 bolts from the rear of the connector plate

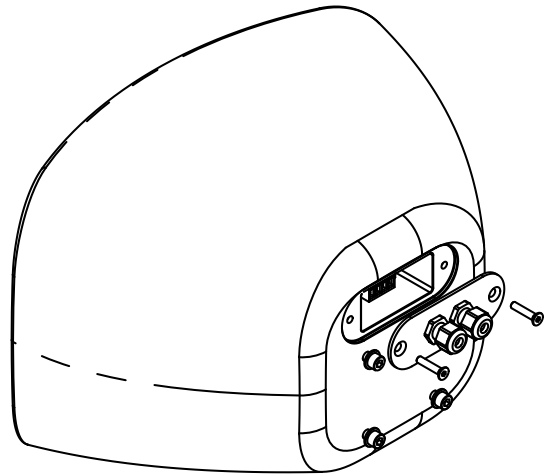


Figure 6.2: Connector plate removal

- Undo the glanded connectors from the rear of the connector plate.

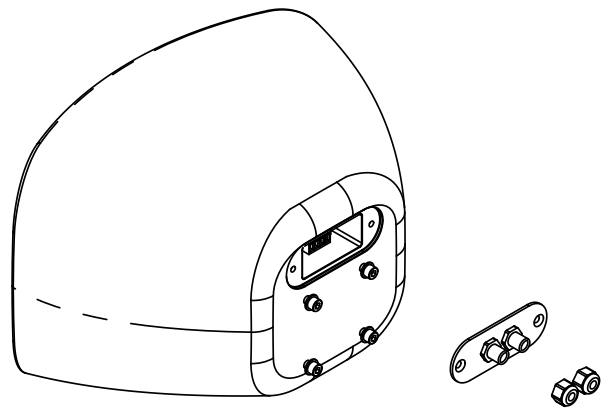


Figure 6.3: Glanded connector removal

- Insert the cable through the glanded connectors and tighten.

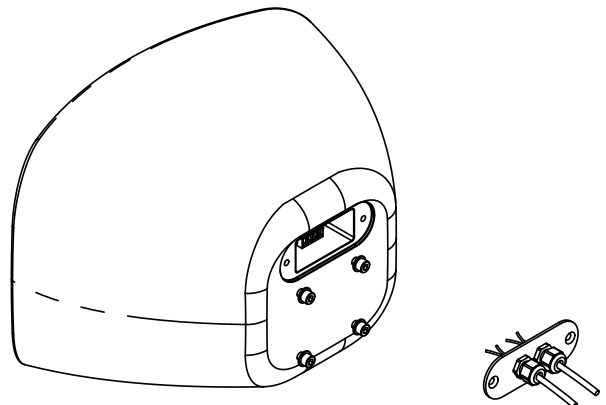


Figure 6.4: Cable connection

6 Cabling and wiring

- Attach the cable to the phoenix connector.

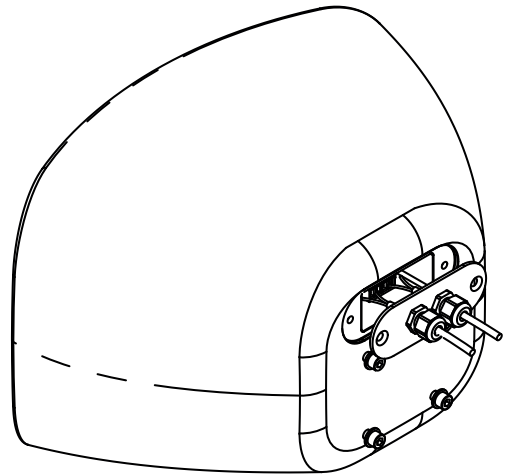


Figure 6.5: Phoenix attachment

- Position the connector plate and insert the two M6 bolts.

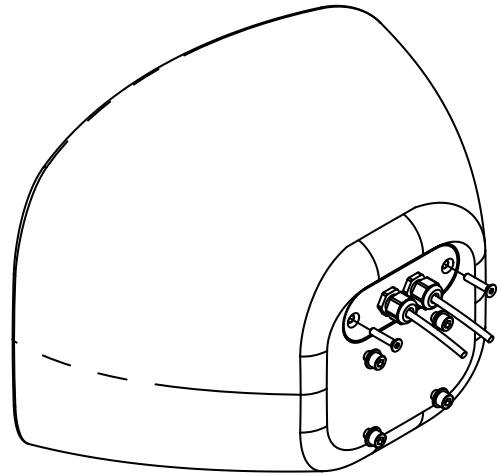


Figure 6.6: Connector plate connection

6 Cabling and wiring

6.5 Cyclone 10 wiring diagram

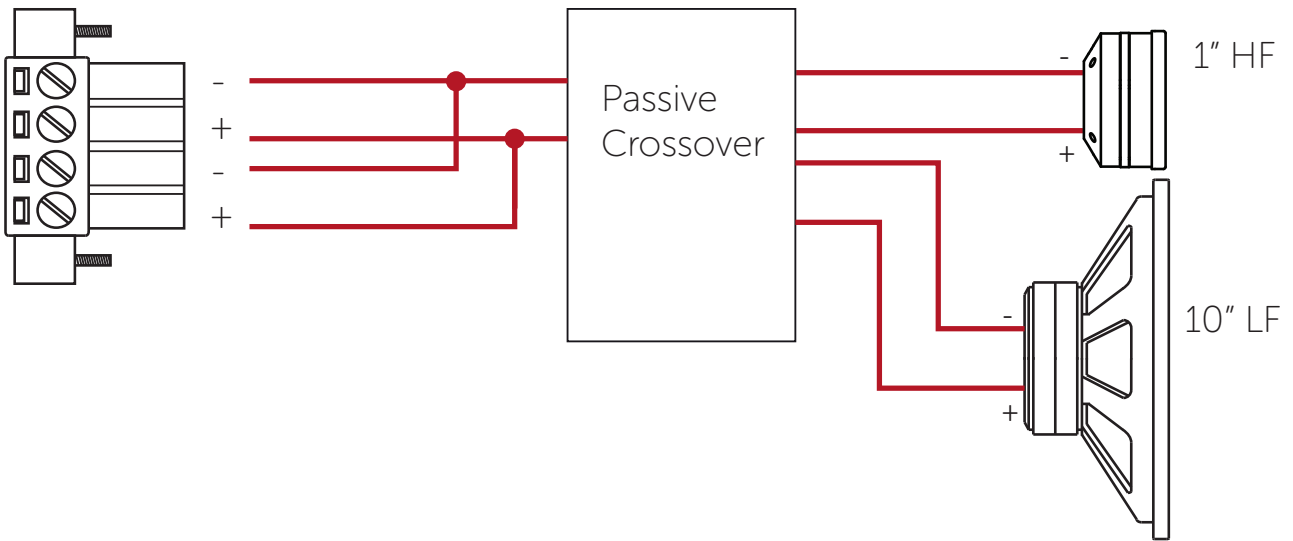


Figure 6.7: Wiring diagram

| | | |
|----|----------------------|--------------------|
| | Phoenix pins 1-/1+ | Phoenix pins 2-/2+ |
| In | HF (1") and LF (10") | Link/out |

6.6 Cyclone 55 wiring diagram

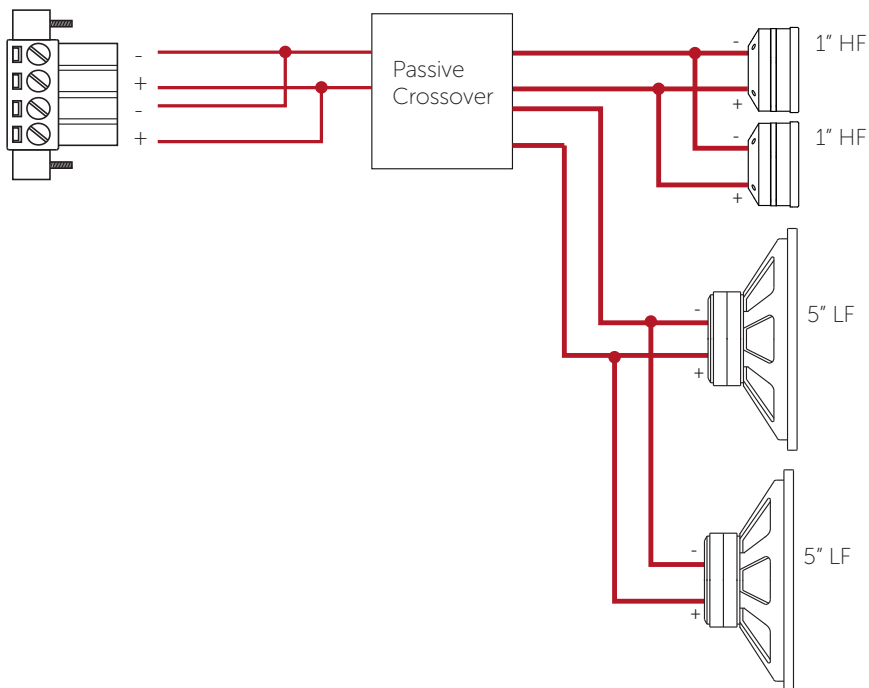


Figure 6.8: Wiring diagram

| | | |
|----|-----------------------------|--------------------|
| | Phoenix pins 1-/1+ | Phoenix pins 2-/2+ |
| In | HF (2 x 1") and LF (2 x 5") | Link/out |

6 Cabling and wiring

6.7 Cyclone 8 wiring diagram

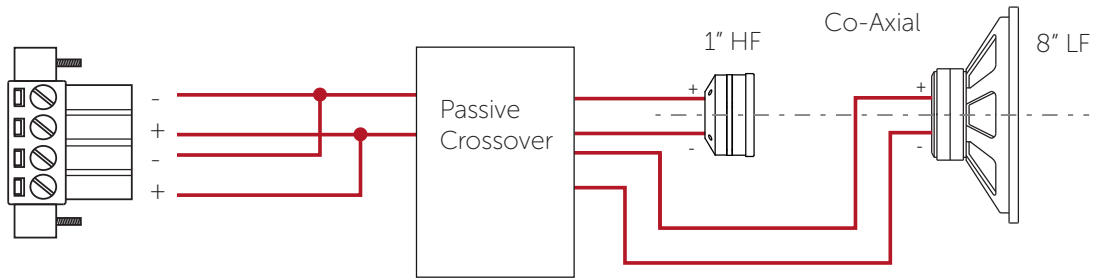


Figure 6.9: Wiring diagram

| | | |
|----|---------------------|--------------------|
| | Phoenix pins 1-/1+ | Phoenix pins 2-/2+ |
| In | HF (1") and LF (8") | Link/out |

6.8 Cyclone Bass wiring diagram

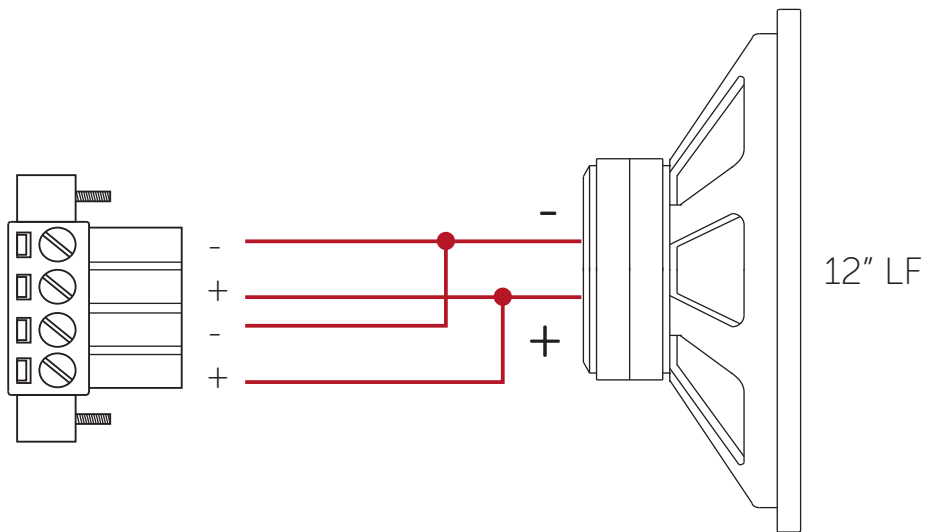


Figure 6.10: Wiring diagram

| | | |
|----|--------------------|--------------------|
| | Phoenix pins 1-/1+ | Phoenix pins 2-/2+ |
| In | LF (12") | Link/out |

6 Cabling and wiring

6.9 Bias D1/Q2 Phoenix wiring

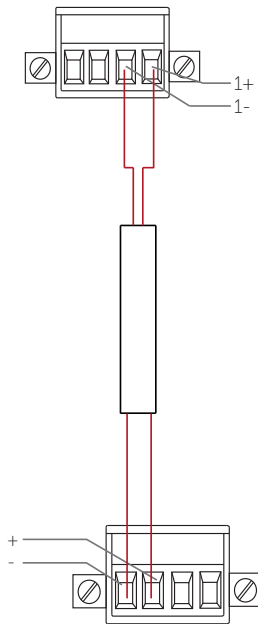
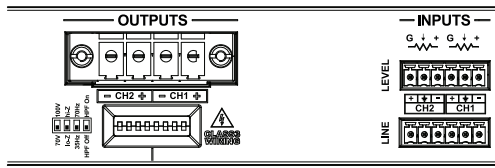


Figure 6.11: Bias D1

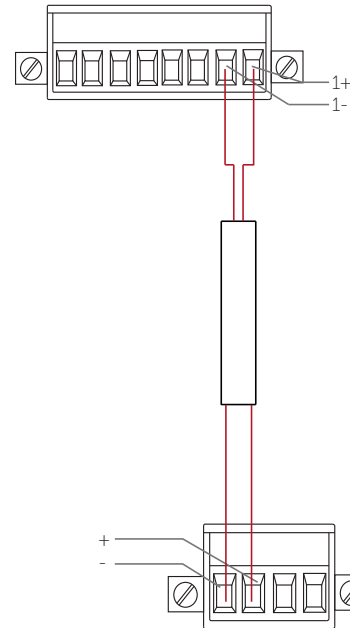
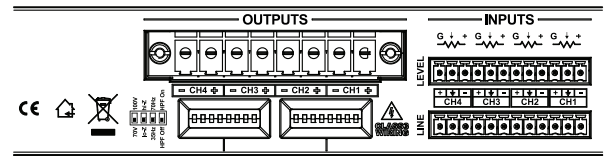


Figure 6.12: Bias Q2

| Bias D1/Q2 | | Out 1 |
|--------------------------|--------------|----------------------------------|
| Output | Cyclone 10 | LF (10") and HF (1") |
| | Cyclone 55 | LF (2 x 5") and HF (2 x 1") |
| | Cyclone 8 | LF (1 x 8") and HF (1 x 1") |
| | Cyclone Bass | LF (12") |
| Max quantity per channel | Cyclone 10 | 4 (2 Ω load to amplifier) |
| | Cyclone 55 | 8 (2 Ω load to amplifier) |
| | Cyclone 8 | 4 (2 Ω load to amplifier) |
| | Cyclone Bass | 4 (2 Ω load to amplifier) |

6 Cabling and wiring

6.10 Bias Q5 speakON™ wiring

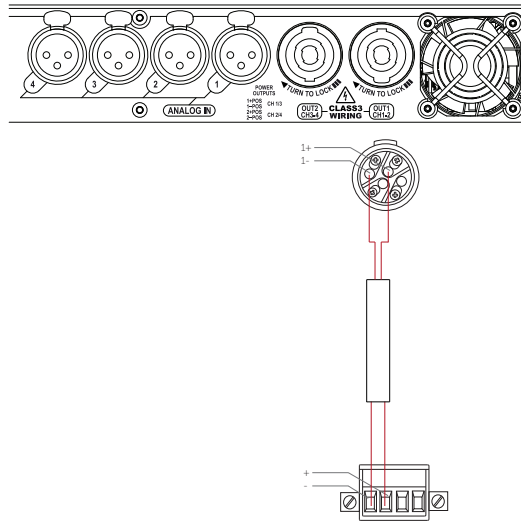


Figure 6.13: Bias Q5

| Bias Q5 | | Out 1 |
|--------------------------|--------------|----------------------------------|
| Output | Cyclone 10 | LF (10") and HF (1") |
| | Cyclone 55 | LF (2 x 5") and HF (2 x 1") |
| | Cyclone 8 | LF (1 x 8") and HF (1 x 1") |
| | Cyclone Bass | LF (12") |
| Max quantity per channel | Cyclone 10 | 4 (2 Ω load to amplifier) |
| | Cyclone 55 | 8 (2 Ω load to amplifier) |
| | Cyclone 8 | 4 (2 Ω load to amplifier) |
| | Cyclone Bass | 4 (2 Ω load to amplifier) |

7 System design

7.1 System design principles

Cyclone Series loudspeakers can be arrayed as a single pair facing forward to provide a wide stereo image.

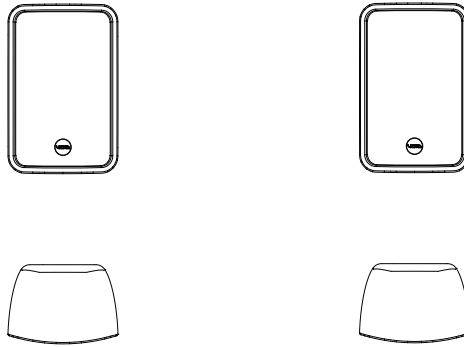


Figure 7.1: Cyclone 10 single pair arrangement

For applications requiring wide horizontal coverage, use two Cyclone 10 in pairs, angled at about 40° for Cyclone 10 and 50° for Cyclone 55.



Figure 7.2: Cyclone 10 dual pair arrangement

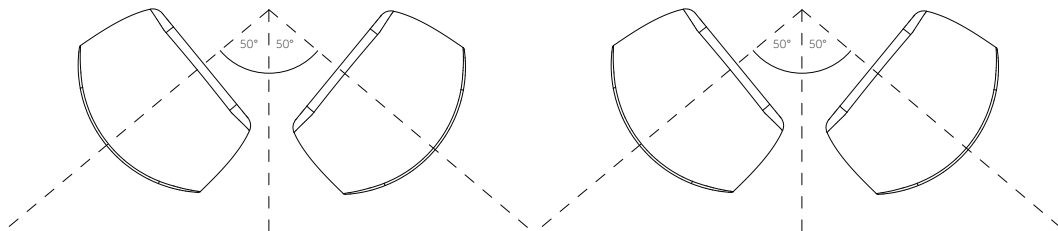


Figure 7.3: Cyclone 55 dual pair arrangement

For permanent installation, it is recommended to fly Cyclone 10/55 loudspeakers for more even coverage. This also allows co-located low frequency enclosures in a single block, increasing sensitivity and providing more consistent bass coverage.

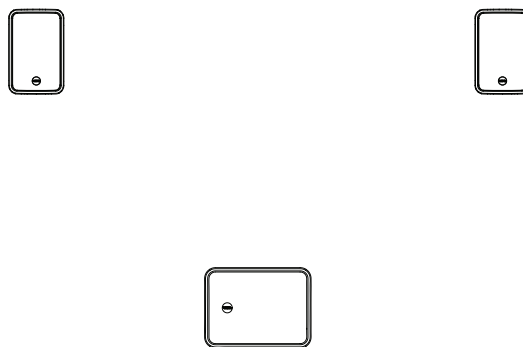


Figure 7.4: Cyclone permanent installation

7 System design

7.2 Loudspeaker placement and positioning

When deploying Cyclone loudspeakers, it is important to consider the speakers' vertical position to maximise coverage in the vertical axis. Horizontal loudspeaker dispersion figures dictate the coverage of the loudspeaker, left to right, to the -3 dB points. The same can be said for the vertical dispersion figure, but when applied to a listening area, this figure dictates the audience area coverage front to back.

Vertical dispersion is often overlooked or not assessed properly, resulting in inefficiently deployed loudspeaker systems that require more fill loudspeakers than are necessary to achieve required coverage. Following are some basic guidelines when considering the vertical position of your Cyclone loudspeaker.

With optimum vertical positioning and aiming applied the loudspeaker system can be used at maximum efficiency. With a point source loudspeaker in this configuration the speaker is placed 2m-4m from the ground, aimed half way to two thirds of the way back from the audience area, as shown in figure 7.6. The applied aiming reduces unwanted reflections from the ceiling and directs the highest energy concentration to the audience area requiring it most. This is the most desirable position for the loudspeakers in this example.

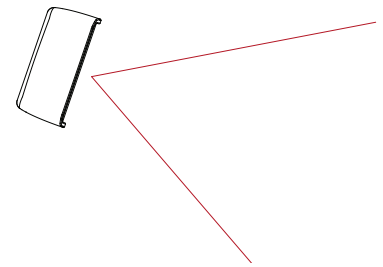


Figure 7.5a: Vertical dispersion (side view)

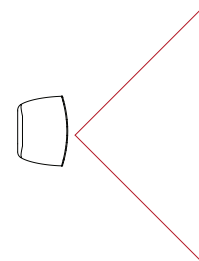


Figure 7.5b: Horizontal dispersion (top view)

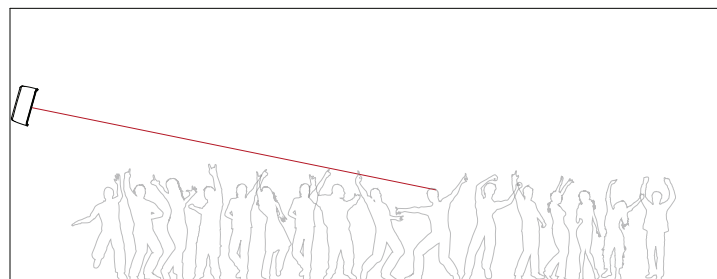


Figure 7.6: Correct loudspeaker placement

7 System design

A multi-point loudspeaker system in a club/bar environment can be very pleasing for the listener. However, it's important that the processes applied to previous examples are still implemented. In figure 7.7 you can see the loudspeakers have been positioned and aimed optimally. When deploying a multi-point loudspeaker system, extra consideration must be taken to counter unwanted room effects. Careful positioning and aiming of loudspeakers will minimise room effects, while maintaining even coverage throughout the audience area.

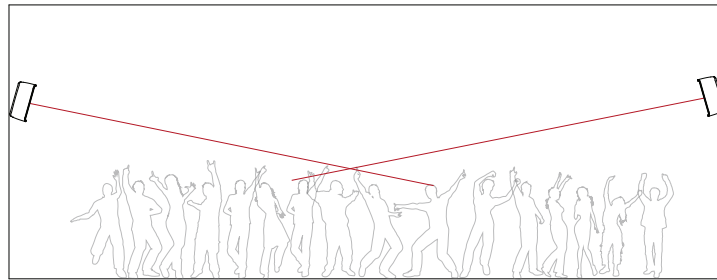


Figure 7.7: Multi point loudspeaker arrangement

In the horizontal plane rotate the Cyclone loudspeaker toward the audience area at an angle such that the centre line of the dispersion from each loudspeaker meets about two thirds of the way towards the rear of the audience area. This will help provide a wider coverage and result in more of the power being used usefully.

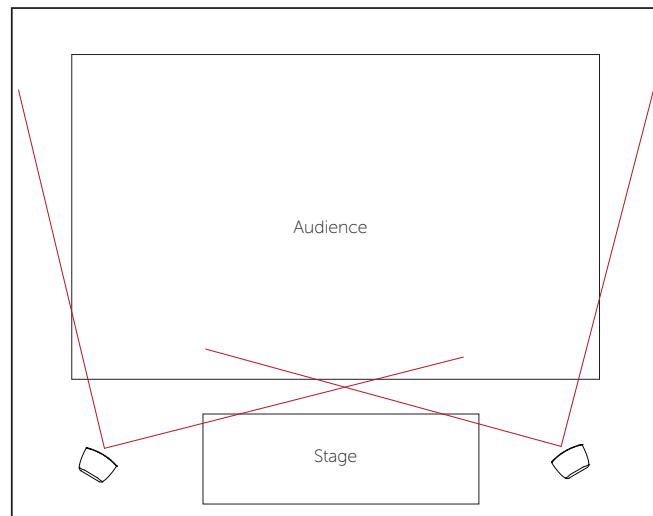


Figure 7.8: Correct horizontal dispersion

7 System design

Avoid directing the Cyclone loudspeakers straight forward. This will result in a proportion of the power being directed towards the walls, creating possible reflective issues, as well as causing a gap in coverage at the centre of the audience area.

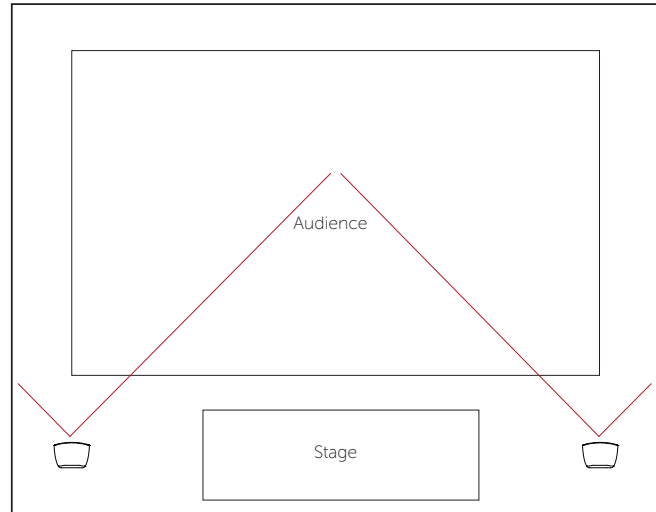


Figure 7.9: Incorrect horizontal dispersion



In figure 7.10 the loudspeakers vertical positioning is too low for the audience area. Mid and high range frequencies are absorbed by the first two rows of people, resulting in poor coverage and potential acoustic issues from room reflections.

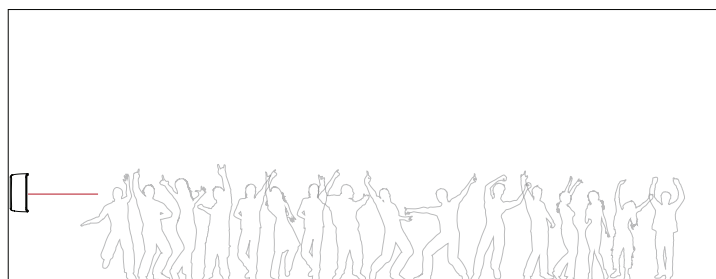


Figure 7.10: Incorrect loudspeaker placement



Figure 7.11 shows the loudspeaker vertical position is optimal for the audience area but the user hasn't applied an aiming angle. In this case, a large portion of energy is directed at the ceiling that could result in reduced intelligibility and unwanted room acoustic characteristics. The shallow angle of attack will also induce refraction issues on a hot dance floor, leading to reduced HF penetration at mid and far distances, again reducing intelligibility and coherence.

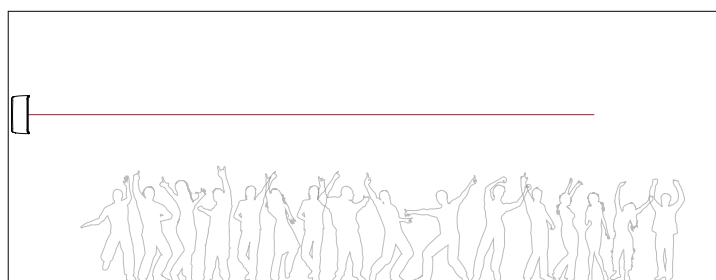


Figure 7.11: Incorrect loudspeaker placement



7 System design

7.3 Bass alignment - delay times



Note: All information given here is a guide and not a rule. Taking measurement on site and using your ear are still the most reliable way to achieve the best results.

When designing loudspeakers and low frequency enclosures layout within a space it is often necessary to apply delay to optimise system performance. In figure 7.12 we have a room with four Cyclone loudspeakers and single low frequency enclosure.

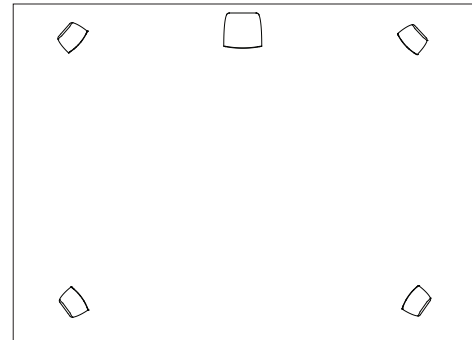


Figure 7.12: Cyclone layout

All four loudspeakers sit on a circle of radius R with its centre point at O . The low frequency enclosure is situated at a distance A from the origin and a distance B from the circumference of the circle. The distance B will determine the delay required for the low frequency enclosure of 2.9 ms per metre. So, in this example, if the distance B is 2 m the a delay of 5.8 ms would be required.

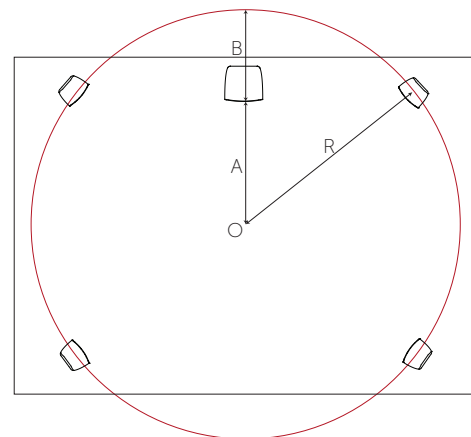


Figure 7.13: Bass alignment example 1

Figure 7.14 shows a second low frequency enclosure added. Here we are looking to create a secondary focal point at E . To calculate our delay time we take distance D , which is point E to the south edge of the circle, away from A , which is E to the north edge of the circle, and multiply by the delay time per metre. Or:

$$(A - D) \times 2.9 \text{ ms/m} = \text{delay time.}$$

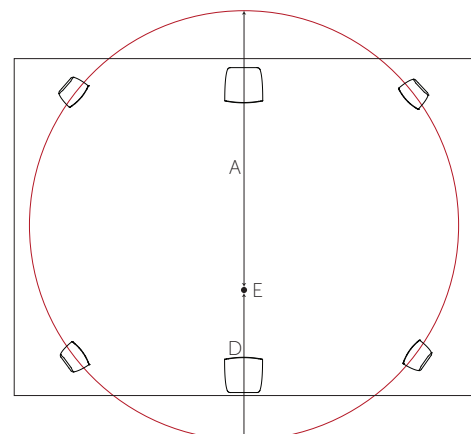


Figure 7.14: Bass alignment example 2

8 Mounting

Tools required

- 5 mm Allen key (Cyclone 55)
- 6 mm Allen key (Cyclone 8/10)

8.1 Installation safety



To avoid mechanical hazards, please note the following:

- Safety regulations vary in different regions. Full compliance with those regulations must be your priority
- Rigging must only be undertaken by fully-qualified and experienced riggers who understand local regulations
- This may include consulting a structural engineer before installation of wall brackets
- Remember that all personnel have a duty of care to themselves, to their assistants, to the venue staff and to the public
- Before lifting any part of the system above head height, check the whole rig for loose tools or other items that may fall and cause injury
- Do not use a telephone (even if hands-free) while rigging. Always concentrate fully on the rigging operation
- Do not rig equipment that is worn, damaged, corroded, mishandled or over-stressed in any way
- Use only Void-approved mounting equipment and accessories
- Secondary safeties should be provided in all instances where cabinets are flying or fixing overhead and should conform to local regulations

8.2 Cyclone 8/10 wall mounting

Although we have shown the procedure for mounting the Cyclone 8 the Cyclone 10 follows the same procedure.

Parts required:

- EZ hang wall mount bracket
- EZ hang XL wall mount bracket

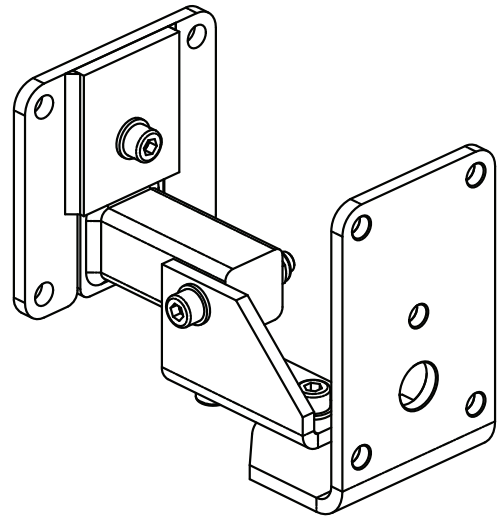


Figure 8.1: EZ hang wall mount bracket

Step 1:
Remove all four M8 bolts from the rear of the loudspeaker.

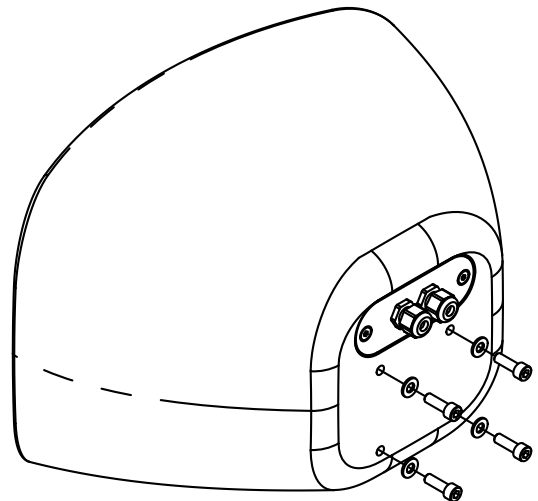


Figure 8.2: Cyclone 8 bolt removal

Step 2:
Remove the front of the bracket from the main bracket assembly. Attach the rear of the bracket assembly to the wall making sure all 4 bolts are fitted.



Take care when mounting the bracket to the wall, making sure to use the correct fixing and that the wall can take the load, for example do not attach the bracket to a stud wall.

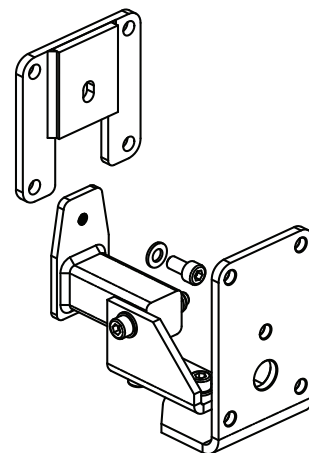


Figure 8.3: Deconstructing the bracket assembly

8.2 Cyclone 8/10 wall mounting

Step 3:

Attach the front of the bracket assembly to the rear of the loudspeaker using all four M8 bolts.

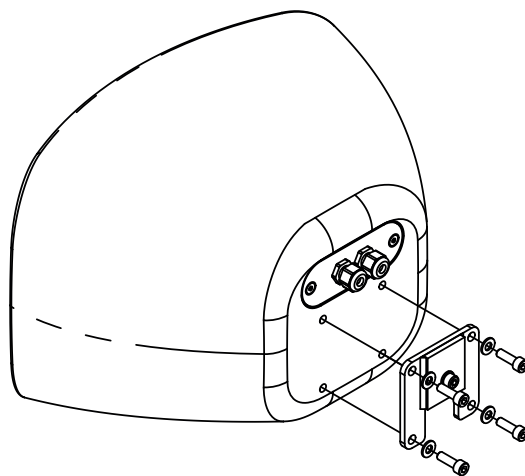


Figure 8.4: Attaching bracket to loudspeaker

Step 4:

Lower the speaker assembly on to the rear of the bracket assembly and fix the bolt into the rear of assembly.

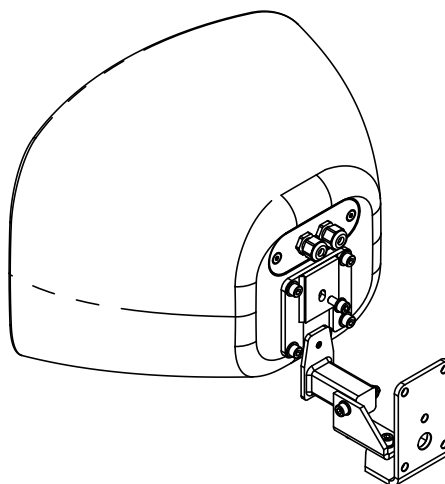


Figure 8.5: Attaching loudspeaker to bracket

Step 5:

Adjust the bracket in the horizontal axis by loosening the bolt at the rear of the assembly (figure 8.6a) and in the vertical axis by adjusting the bolt on the base of the assembly (figure 8.6b).

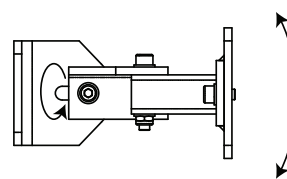


Figure 8.6a: Bracket adjustment

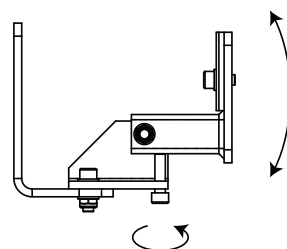


Figure 8.6b: Bracket adjustment

8.3 Cyclone 8/10 ceiling mounting

Although we have shown the procedure for mounting the Cyclone 8 the Cyclone 10 follows the same procedure.

Parts required:

- Venu Series Ceiling Mount Bracket

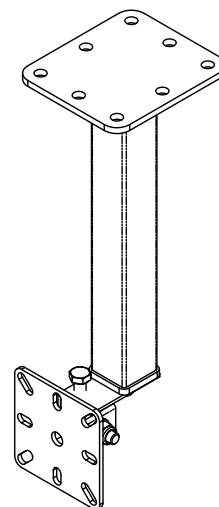


Figure 8.7: Venu Series Ceiling Mount Bracket

Step 1:
Remove all four M8 bolts from the rear of the loudspeaker.

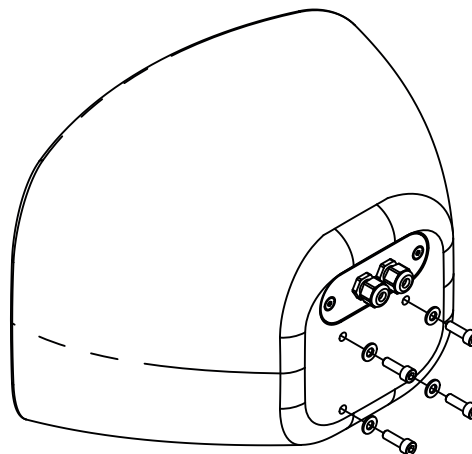


Figure 8.8: Cyclone bolt removal

Step 2:
Lift the loudspeaker into position and attach all four M8 bolts.



Take care when mounting the bracket to the ceiling, making sure to use the correct fixing and that the ceiling can take the load, for example do not attach the bracket to a suspended ceiling.

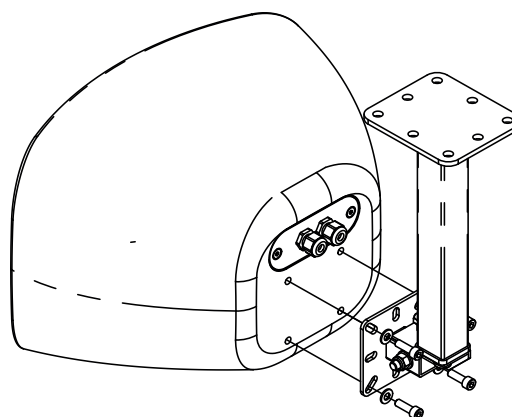


Figure 8.9: Fixing bracket

8.3 Cyclone 8/10 ceiling mounting

Step 3:

With the lifting gear in place adjust the angle of the bracket using the bolt on the bracket assembly.

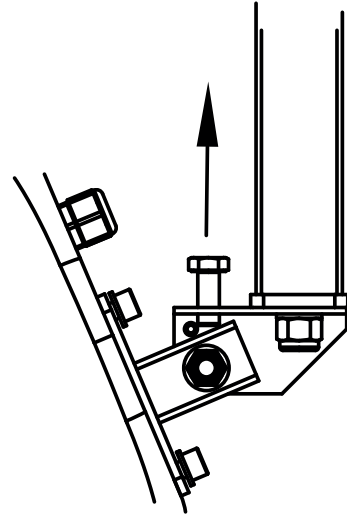


Figure 8.10: Attaching bracket to loudspeaker

Step 4:

Tighten the bolt on the bracket to fix the loudspeaker in position.

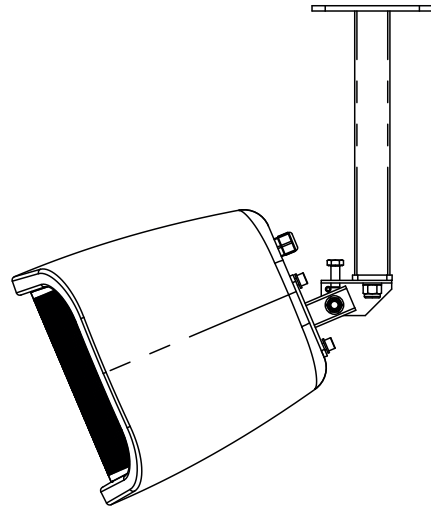


Figure 8.11: Loudspeaker positioning

8.4 Cyclone 55 wall/ceiling mounting

Parts required:

- Cyclone 55/Indigo 6s bracket

Note: Although the method shown here is for wall mounting the same method is used for ceiling mounting by adjusting the bracket.

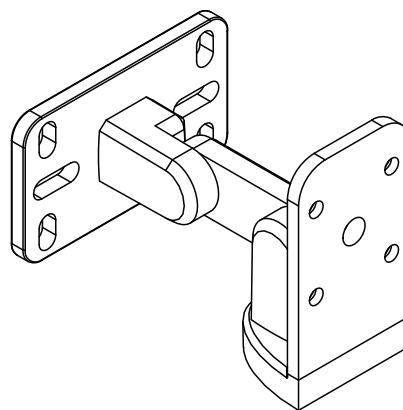


Figure 8.12: Cyclone 55/Indigo 6s bracket

Step 1:
Remove all four M6 bolts from the rear of the loudspeaker.

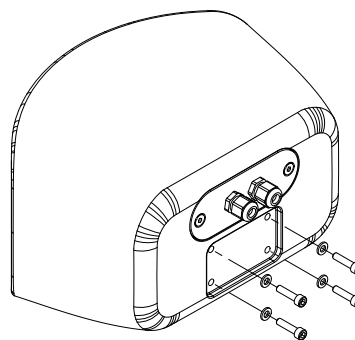


Figure 8.13: Cyclone bolt removal

Step 2:
Lift the loudspeaker into position and attach all four M6 bolts.



Take care when mounting the bracket to the wall, making sure to use the correct fixing and that the ceiling can take the load, for example do not attach the bracket to a stud wall.

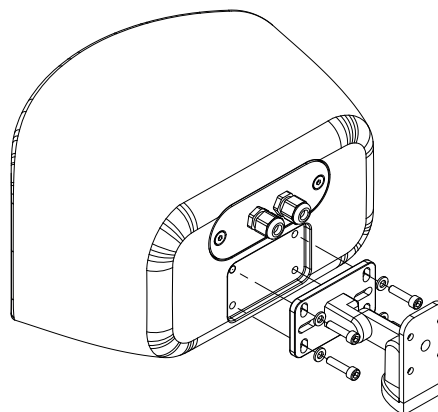


Figure 8.14: Fixing bracket

8.4 Cyclone 55 wall/ceiling mounting

Step 3:

With the lifting gear in place adjust the angle of the bracket using the bolt on the bracket assembly.

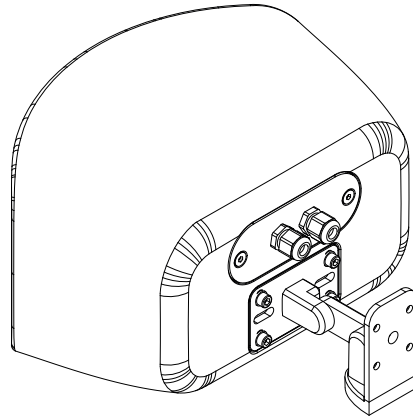


Figure 8.15: Attaching bracket to loudspeaker

Step 4:

Tighten the bolt on the bracket to fix the loudspeaker in position.

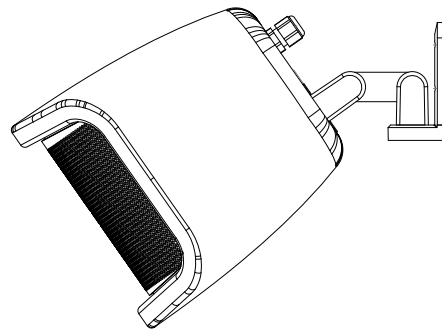


Figure 8.16: Loudspeaker positioning

8.5 Cyclone 10 horn rotation for landscape mode

Step 1:
Attach cable ties to two positions on the grill as shown.



Figure 8.17: Fitting cable ties

Step 2:
Pull the cable ties toward the opposite edge of the loudspeaker and then pull up and away to expose the enclosure.

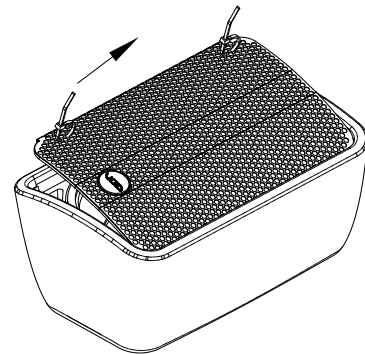


Figure 8.18: Grill removal

Step 3:
With the grill removed undo all four screws from the horn.

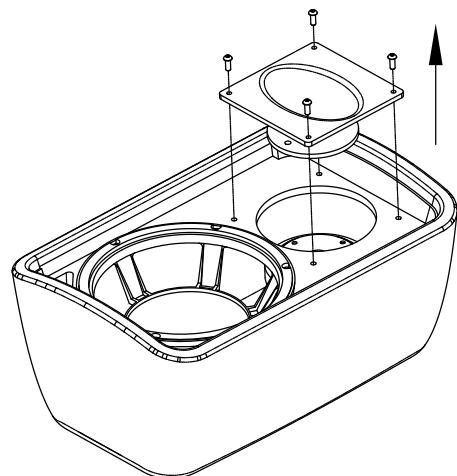


Figure 8.19: Removing horn screws

8.5 Cyclone 10 horn rotation for landscape mode

Step 4:

Rotate the horn and return it to its position within the enclosure and redo all four screws.

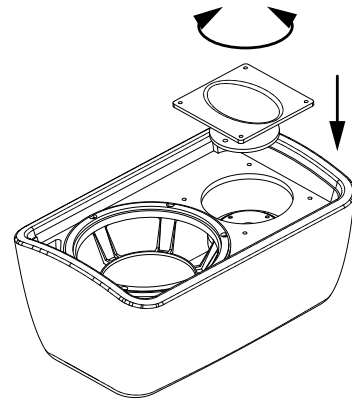


Figure 8.20: Rotating horn

Step 5:

Pull the cable ties toward the opposite edge of the loudspeaker and then lower the grill into position.

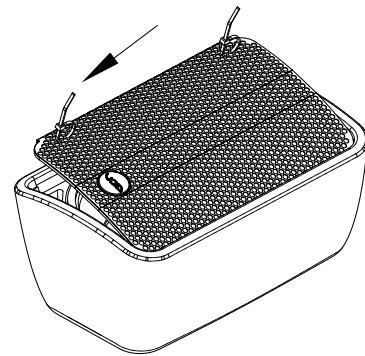


Figure 8.21: Refitting the grill

Step 5:

Remove the cable ties.

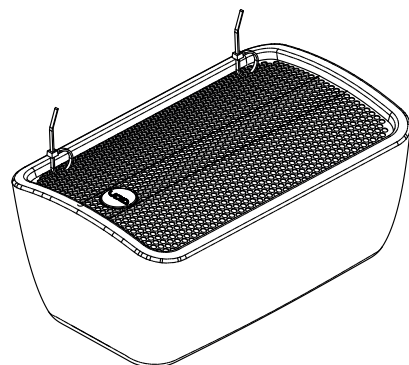


Figure 8.22: Removing cable ties

8.6 Cyclone Bass wall mounting

Parts required:

- WHD75



Note:
All eight bolts must be fitted when securing the bracket to the wall.

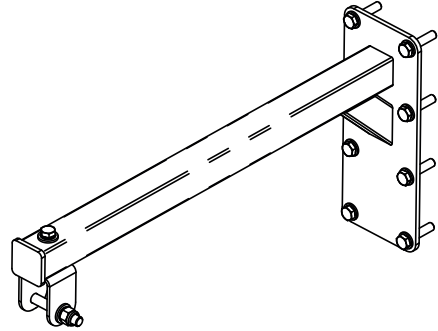


Figure 8.23: WHD75 bracket

Step 1:
Remove the type 75 plate from the WHD75 by removing the M10 nut.

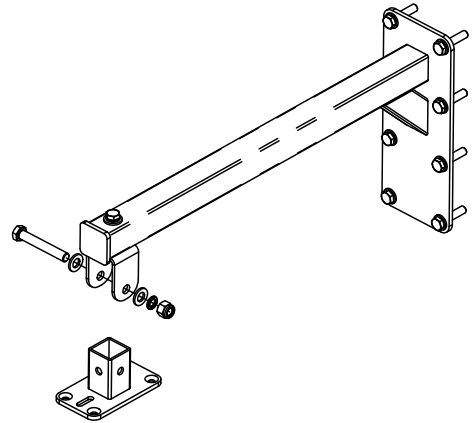


Figure 8.24: Nut removal

Step 2:
Remove all four M8 counter sink bolts from the bottom of the loudspeaker

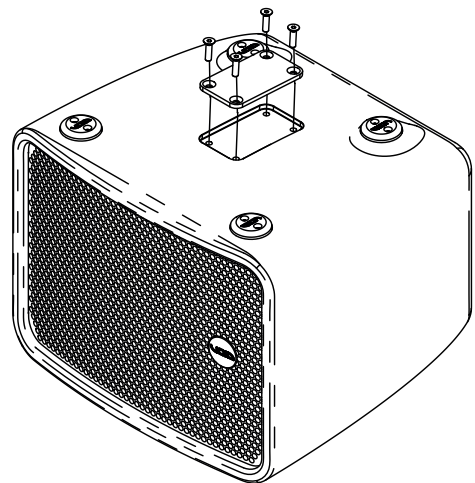


Figure 8.25: Bolt removal

8.6 Cyclone Bass wall mounting

Step 4:

Attach the type 75 plate to the loudspeaker using the M8 socket cap bolts supplied with the bracket.

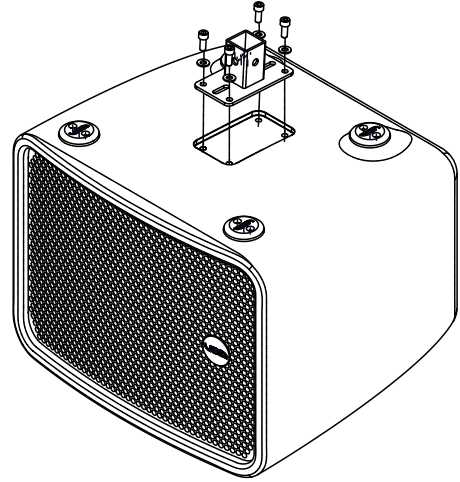


Figure 8.26: Attaching the type 75 plate

Step 5:

Raise the Cyclone Bass loudspeaker into position and attach the M10 nut.

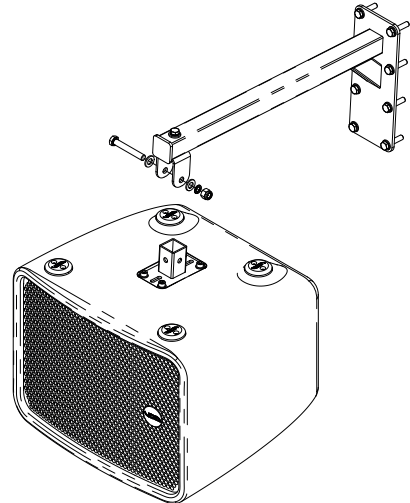


Figure 8.27: Loudspeaker fixing

Step 6:

Rotate the loudspeaker into the desired position and tighten the M10 bolt.

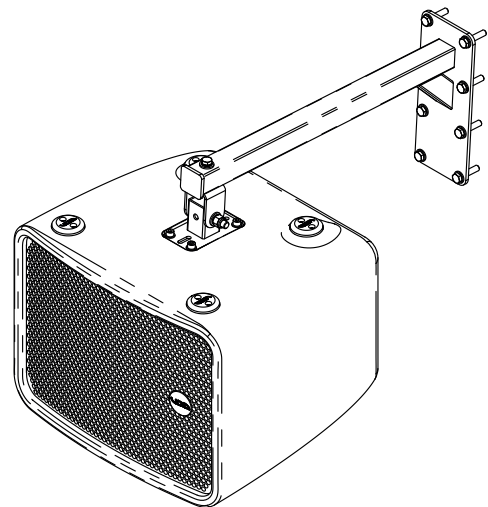


Figure 8.28: Loudspeaker positioning

8.7 Cyclone Bass ceiling mounting

Parts required:

- Air series ceiling bracket



Note:
All eight bolts must be fitted when securing the bracket to the wall.

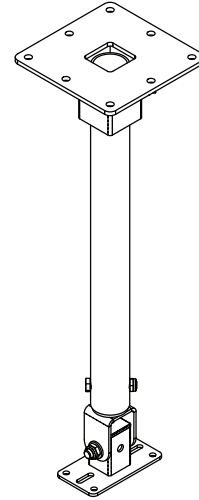


Figure 8.29: Air series ceiling bracket

Step 1:
Remove the type 75 plate from the Air series ceiling bracket by removing the M10 nut.

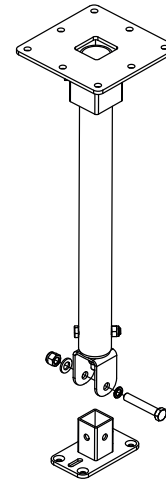


Figure 8.30: Nut removal

Step 2:
Remove all four M8 counter sink bolts from the bottom of the loudspeaker

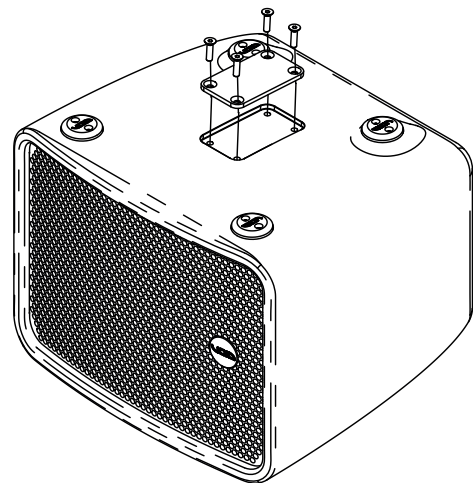


Figure 8.31: Bolt removal

8.7 Cyclone Bass ceiling mounting

Step 4:

Attach the type 75 plate to the loudspeaker using the M8 socket cap bolts supplied with the bracket.

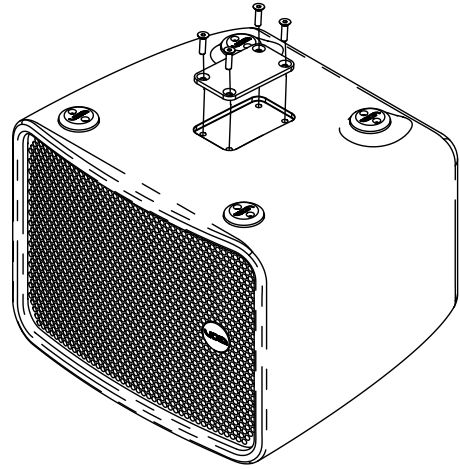


Figure 8.32: Attaching the type 75 plate

Step 5:

Raise the Cyclone Bass loudspeaker into position and attach the M10 nut.

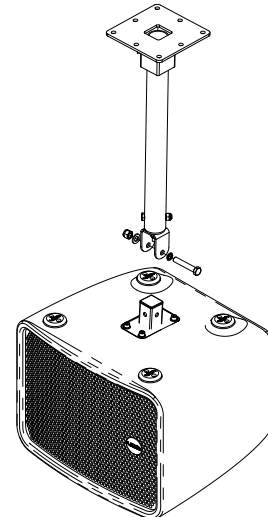


Figure 8.33: Loudspeaker fixing

Step 6:

Rotate the loudspeaker into the desired position and tighten the M10 bolt.

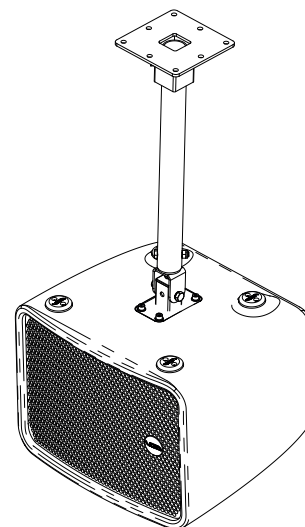


Figure 8.28: Loudspeaker positioning

9 Service

Void Cyclone Series loudspeakers should only be serviced by a fully-trained technician.



No user serviceable parts inside. Refer servicing to your dealer.

9.1 Return authorisation

Before returning your faulty product for repair, please remember to get an R.A.N. (Return Authorisation Number) from the Void dealer who supplied the system to you. Your dealer will handle the necessary paperwork and repair. Failure to go through this return authorisation procedure could delay the repair of your product.

Note that your dealer will need to see a copy of your sales receipt as proof of purchase so please have this to hand when applying for return authorisation.

9.2 Shipping and packing considerations

- When sending a Cyclone Series loudspeaker to an authorised service centre, please write a detailed description of the fault and list any other equipment used in conjunction with the faulty product.
- Accessories will not be required. Do not send the instruction manual, cables or any other hardware unless your dealer asks you to.
- Pack your unit in the original factory packaging if possible. Include a note of the fault description with the product. Do not send it separately.
- Ensure safe transportation of your unit to the authorised service centre.

10 Appendix

Cyclone 10 architectural specification

The loudspeaker shall be a passive two-way system consisting of one high power 10" (250 mm), direct radiating, reflex loaded low frequency (LF) transducer and one 1" (25 mm) diameter composite plastic exit high frequency (HF) compression driver mounted on a user rotatable constant directivity horn in a moulded fibreglass trapezoidal enclosure.

The low frequency transducer shall be constructed on a cast aluminium frame, with a treated paper cone, 50.8 mm (2") voice coil, wound with copper wire on a high quality voice coil former, for high power handling and long-term reliability. The high frequency transducer shall project its sound through a high precision constant directivity waveguide with a 152.4 mm (6") baffle diameter to achieve pattern control and low distortion.

Performance specifications for a typical production unit shall be as follows: the usable on-axis bandwidth shall be 52 Hz to 22 kHz (± 3 dB), with an average 90° directivity pattern in the horizontal axis and 60° in the vertical one (-6 dB down from on-axis level) from 1 kHz to 15 kHz; and maximum SPL shall be 126 dB peak measured at 1 m using IEC268-5 pink noise. Power handling shall be 350 W AES at a rated impedance of 8 Ω . The system shall be powered by its own dedicated power amplification module with DSP management. The wiring connection shall be via a single removable lockable wiring connector with four screw-down terminals (one pair for input and one pair for loop-out to another loudspeaker) to provide secure wiring and allow for pre-wiring of the connector before the installation. This connector should then screw lock to the enclosure to ensure secure attachment.

The enclosure, of any RAL colour, shall be of a moulded fibreglass reinforced plastic construction with a smooth cellulose finish and shall include integral threaded inserts for the fitment of wall and ceiling mounting hardware. The external dimensions of the cabinet are (H) 493 mm x (W) 320 mm x (D) 230 mm (19.4" x 12.6" x 9.1"). Weight shall be 14.5 kg (32 lbs).

The loudspeaker system shall be a Void Acoustics Cyclone 10.

10 Appendix

Cyclone 55 architectural specification

The loudspeaker shall be a passive two-way system consisting of two high power 5" (125 mm) direct radiating reflex loaded low frequency (LF) transducers and 1" (25 mm) diameter co-axial soft dome tweeters high frequency (HF) transducers mounted in an open V-baffle enclosure.

The co-axial transducer shall be constructed on a cast aluminium frame, with the low frequency transducer consisting of a polycarbonate LF cone with its dust cap removed and a 25.4 mm (1") voice coil, wound with copper wire on a high quality Kapton voice coil former, for high power handling and long-term reliability. The high frequency soft dome transducer shall be bolted through the rear of the magnet structure belonging to the low frequency transducer to form a coaxial drive unit. The sound will project through the centre of the low frequency transducer and uses the 125 mm (5") baffle diameter to achieve pattern control and low distortion.

Performance specifications for a typical production unit shall be as follows: the usable on-axis bandwidth shall be 70 Hz to 23 kHz (± 3 dB) and shall average 110° directivity pattern in the horizontal axis and 70° in the vertical one (-6 dB down from on-axis level) from 1 kHz to 12 kHz; maximum SPL of 114 dB peak measured at 1 m using IEC268-5 pink noise. Power handling shall be 120 W AES at a rated impedance of 8 Ω . The system shall be powered by its own dedicated power amplification module with DSP management.

The wiring connection shall be via a single removable lockable wiring connector with four screw-down terminals (one pair for input and one pair for loop-out to another loudspeaker) to provide secure wiring and to allow for pre-wiring of the connector before the installation. This connector should then screw lock to the enclosure to ensure secure attachment.

The enclosure, of any RAL colour, shall be of a moulded fibreglass reinforced plastic construction with a smooth cellulose finish and shall include integral threaded inserts for the fitment of wall and ceiling mounting hardware. The external dimensions of the cabinet are (H) 192 mm x (W) 309 mm x (D) 207 mm (7.6" x 12.2" x 8.1"). Weight shall be 3.2 kg (7.1 lbs).

The loudspeaker shall be the Void Acoustics Cyclone 55.

10 Appendix

Cyclone 8 architectural specification

The loudspeaker shall be a passive two-way system consisting of one high power 8" (203.2 mm) direct radiating reflex loaded low frequency (LF) transducer and a 1" (25 mm) diameter co-axially-mounted high frequency (HF) compression transducer mounted in a fibreglass, smooth cellulose enclosure.

The low frequency transducer shall be constructed on a cast aluminium frame, with a treated paper cone, 50.8 mm (2") voice coil, wound with copper wires on a high quality voice coil former, for high power handling and long-term reliability. The high frequency transducer shall be bolted through the rear of the magnet structure belonging to the LF transducer to form a co-axial drive unit. The sound will project through a machined waveguide that exits in the centre of the low frequency transducer to use the 203.2 mm (8") baffle diameter to achieve pattern control and low distortion.

Performance specifications for typical production unit shall be as follows: the usable on-axis bandwidth shall be 70 Hz to 20 kHz (± 3 dB) and shall average 90° directivity pattern for both horizontal and vertical axis (-6 dB down from on-axis level) from 1 kHz to 10 kHz; maximum SPL of 118 dB continuous, 121 dB peak measured at 1 m using IEC268-5 pink noise. Power handling shall be 200 W AES at a rated impedance of 8 Ω ; crossover point at 2 kHz using a 2nd order filter (12 dB per octave).

The wiring connection shall be via a single, removable, lockable wiring connector with four screw-down terminals (one pair for input and one pair for loop-out to another loudspeaker) to provide secure wiring and to allow for pre-wiring of the connector before the installation. This connector should then screw lock to the enclosure to ensure secure attachment. The enclosure shall be of a moulded fibreglass reinforced plastic construction with a smooth cellulose finish and shall include integral threaded inserts for the fitment of wall and ceiling mounting hardware of any RAL colour with external dimensions of (H) 281 mm x (W) 450 mm x (D) 293 mm (11" x 17.7" x 11.5"). Weight shall be 14 kg (31 lbs).

The loudspeaker shall be the Void Acoustics Cyclone 8.

10 Appendix

Cyclone Bass architectural specification

The loudspeaker shall be a active sub system consisting of one high power 12" (304.8 mm), direct radiating, reflex loaded, low frequency (LF) transducer mounted in a moulded fibreglass trapezoidal enclosure.

The low frequency (LF) transducer shall be constructed on a cast aluminium frame with treated paper cone and a 101.6 mm (4") voice coil, wound with copper wire on a high quality voice coil former, for high power handling and long-term reliability.

Performance specifications for a typical production unit shall be as follows: the usable on-axis bandwidth shall be 40 Hz to 160 Hz (± 3 dB) with a maximum SPL of 129 dB peak measured at 1 m using IEC268-5 pink noise. Power handling shall be 600 W AES at a rated impedance of 8 Ω . Pressure sensitivity shall be 97 dB measured at 1W/1m. The system shall be powered by its own dedicated power amplification module with DSP management.

The wiring connection shall be via a single removable, lockable wiring connector with four screw-down terminals (one pair for input and one pair for loop-out to another loudspeaker) to provide secure wiring and allow for pre-wiring of the connector before the installation. This connector should then screw lock to the enclosure to ensure secure attachment.

The enclosure shall be of a moulded fibreglass reinforced plastic construction with a smooth cellulose finish and shall include integral threaded inserts for the fitment of wall and ceiling mounting hardware of any RAL colour. External dimensions shall be (H) 370 mm x (W) 490 mm x (D) 455 mm (14.6" x 19.3" x 17.9"). Weight shall be 33.5 kg (73.9 lbs).

The loudspeaker system shall be a Void Acoustics Cyclone Bass.

North America

Void Acoustics North America
503-854-7134
sales.usa@voidacoustics.com

Head Office

Void Acoustics Research Ltd
Unit 15 Dawkins Road Industrial Estate
Poole
Dorset
BH15 4JY
England

+44 (0) 1202 666 006
info@voidacoustics.com

Registered in England & Wales No. 07533536

www.voidacoustics.com

