

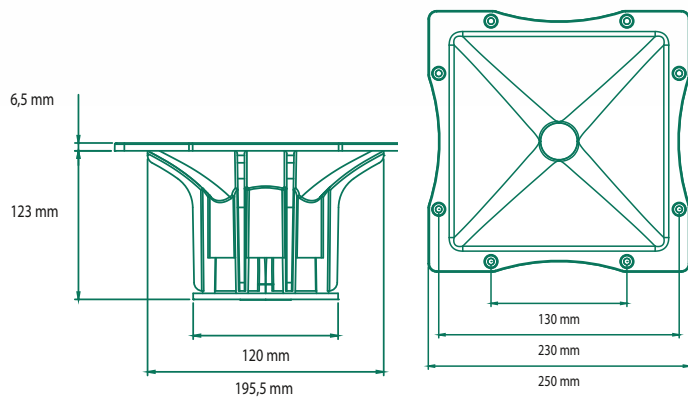
HORN

HF99

Professional High Frequency Horns

PART NUMBER **13133069**

- 1.4 inch Throat Diameter
- 90° x 90° Constant Directivity Coverage
- Loading down to 500 Hz
- Thick Aluminum Body for best heat dissipation in conjunction to Neodimium Compression Drivers
- Perfectly Controlled Dispersion



GENERAL SPECIFICATIONS

Throat Diameter	36 / 1.4	mm/inch
Nominal Coverage (-6dB)	90x90	
Cut-off Frequency	500	Hz
Material	Aluminum	

MOUNTING INFORMATION

Overall Dimensions	250x250 / 9.84x9.84	mm/inch
Baffle Cut-out Dimensions	200x200 / 7.87x7.87	mm/inch
Total Depth	123 / 4.84	mm/inch
Driver Mounting	4 x 6.5 mm holes threaded holes at 180 deg. 101-76 / 3.97- 2.99	mm/inch
Net Weight	1.8	kg
Shipping Weight	2	kg

