

HORN

# HF94

Professional High Frequency Horns

PART NUMBER **13133047**

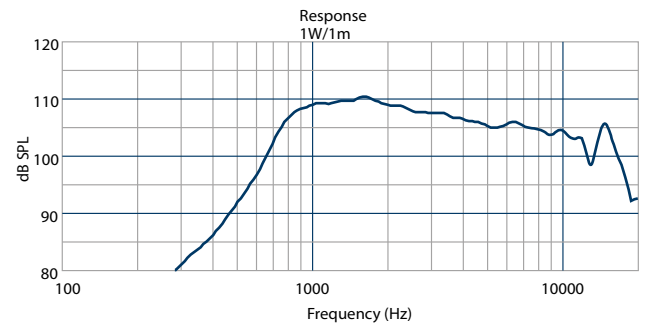
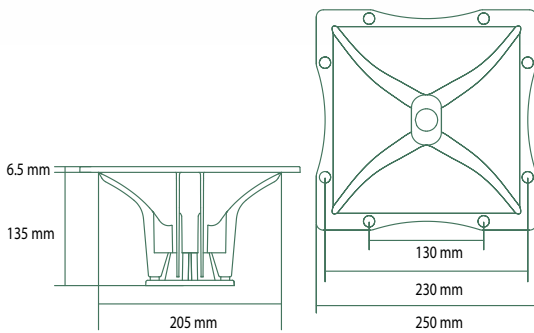
- 1-inch/1.4 inch Throat Adaptor
- 90° x 40° Constant Directivity Coverage
- Loading down to 500 Hz
- Thick Aluminum Body for best heat dissipation in conjunction to Neodimium Compression Drivers
- Perfectly Controlled Dispersion

## GENERAL SPECIFICATIONS

Throat Diameter	25.4-36 / 1.0-1.4	mm/inch
Nominal Coverage (-6dB)	90x40	
Cut-off Frequency	500	Hz
Material	Aluminum	

## MOUNTING INFORMATION

Overall Dimensions	250x250 / 9.84x9.84	mm/inch
Baffle Cut-out Dimensions	205x205 / 7.95x7.95	mm/inch
Total Depth	135 / 5.31	mm/inch
Driver Mounting		
4 x 6.5 mm holes	101-76 / 3.97- 2.99	mm/inch
Net Weight	1.3	kg
Shipping Weight	1.5	kg



Frequency response curve of the horn measured on axis at distance of 1 meter with 1 watt signal, in an anechoic environment, with ND2530-T3 compression driver

