

H 1315 WP

THREE WAY INDOOR/OUTDOOR HORN LOADED SPEAKER SYSTEM

DESCRIPTION

The RCFACUSTICA H1315 WP is a three-way full range loudspeaker system that incorporates a 15" woofer, a 10" midrange and a 1.4" exit titanium compression driver for long throw applications. The system is very compact and provides very high output and accurate voice and sound reproduction. The system is equipped with the latest generation of RCF precision transducers, all of them with powerful neodymium motors.

The internal passive filter provides crossover and equalization between the midrange and the compression driver. The system is driven in bi-amped mode, is capable of producing a Max SPL of 136 dB and handles 900 Watts AES (LF) + 400 Watt AES (MF/HF). The loudspeaker enclosure shape is multi-trapezoidal and offers a double coupling angle each side. Connections to the amplifier are made through a watertight multi-pole connector. The grille is in custom perforated aluminum with open-cell fibers and water repellent woven fabric backing. The cabinet is constructed of multi-ply baltic birch plywood and finished in a very resistant, textured, polyurea black paint.



FEATURES

- Compact Arrayable 3-way System
- Fully Horn-loaded, 60° x 40° directivity
- 15" neodymium woofer with 4" voice coil
- 10" neodymium midrange
- 1.4" neodymium compression driver
- 136 dB Max SPL
- Bi-amp system (passive crossover MF/HF included)
- Active Mosfet Compression Driver Protection
- Rotable HF Horn
- System input power rating RMS 900 LF, 400 MF/HF

TECHNICAL SPECIFICATIONS

Acoustical specifications	Frequency Response (-10dB):	50 Hz ÷ 20000 Hz
	Frequency Response (-3dB):	65 Hz ÷ 20000 Hz
	Max SPL @ 1m:	136 dB
	Horizontal coverage angle:	60°
	Vertical coverage angle:	40°
	Directivity index Q:	12
Power section	Nominal Impedance (ohm):	8 ohm
	Protections:	Active mosfet compression driver
	Crossover Frequencies:	Recommended 300 kHz, Internal MF/HF 1300 kHz
Transducers	Compression Driver:	1.4" neo, 3.0" v.c
	Nominal Impedance (ohm):	8 ohm
	Input Power Rating:	110 W AES, 220 W PEAK
	Sensitivity:	109 dB, 1W @ 1m
	Midrange:	10" neo, 3.0" v.c
	Nominal Impedance (ohm):	8 ohm
	Input Power Rating:	300 W AES, 600 W PEAK
	Sensitivity:	109 dB, 1W @ 1m
	Woofers:	15" neo, 4.0" v.c
	Nominal Impedance (ohm):	8 ohm
	Input Power Rating:	900 W AES, 1800 W PEAK
	Sensitivity:	100 dB, 1W @ 1m
Input/Output section	Input connectors:	Amphenol eco/mat IP 67
	Output connectors:	Amphenol eco/mat IP 67
Standard compliance	CE marking:	Yes
Physical specifications	Cabinet/Case Material:	Baltic birch plywood
	Hardware:	12 x M10 rigging point
	Handles:	2 recessed
	Grille:	Steel
	Color:	Black
Size	Height:	890 mm / 35.04 inches
	Width:	519 mm / 20.43 inches
	Depth:	632 mm / 24.88 inches
	Weight:	52 kg / 114.64 lbs
Shipping informations	Package Height:	970 mm / 38.19 inches
	Package Width:	780 mm / 30.71 inches
	Package Depth:	650 mm / 25.59 inches
	Package Weight:	61.5 kg / 135.58 lbs

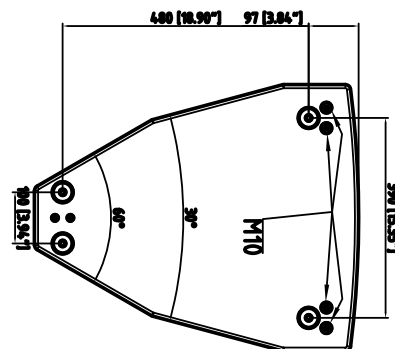
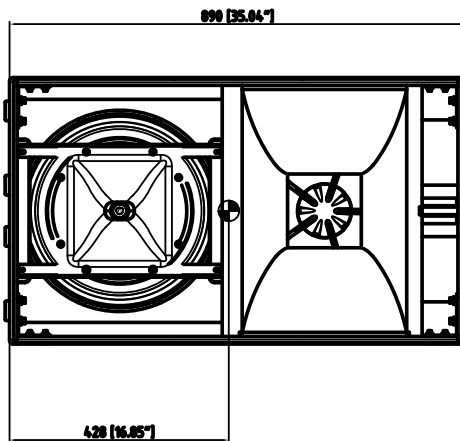
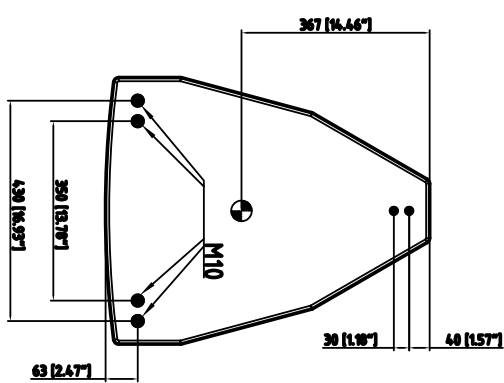


PART NUMBER

- **13000266**

H 1315 WP

EAN 8024530009076



H1315

