

MR 40

TWO-WAY PASSIVE SPEAKER

DESCRIPTION

MR 40 is a bass-reflex two-way speaker designed to deliver uncompromised audio performance and high reliability in fixed installations. Blend in with any environment and deliver deep bass, smooth midrange, and finely-detailed high-frequency response. Quality components and careful acoustic design make the MR 40 the perfect speaker for listening in demanding applications.



FEATURES

- 40 W RMS power handling
- 108 dB max SPL
- 70 ÷ 20000 Hz frequency range
- 110° x 100° coverage angles
- 1 x 4" woofer (1" v.c.)
- 1 x 1" neodymium dome tweeter (0.8" v.c.)
- Self-extinguishing plastic cabinet
- Swivel Wall mount accessory included
- M6 inserts available for optional U bracket
- 4 pole EUROBLOCK connector (audio input and parallel link output)

TECHNICAL SPECIFICATIONS

Acoustical specifications	Frequency Response (-10dB):	70 Hz ÷ 20000 Hz
	Max SPL @ 1m:	108 dB
	Horizontal coverage angle:	110°
	Vertical coverage angle:	100°
	Directivity index Q:	7
	System Sensitivity:	86 dB
Power section	Nominal Impedance (ohm):	8 ohm
	Power Handling:	40 W RMS
	Peak Power Handling:	160 W PEAK
	Recommended Amplifier:	80 W
	Protections:	Bulb lamp
	Crossover Frequencies:	3000 Hz
Transducers	Dome Tweeter:	1.0" neo, 0.8" v.c
	Nominal Impedance (ohm):	8 ohm
	Input Power Rating:	10 W AES, 20 W PROGRAM POWER
	Sensitivity:	93 dB, 1W @ 1m
	Woofer:	4.0", 1.0" v.c
	Nominal Impedance (ohm):	8 ohm
	Input Power Rating:	40 W AES, 80 W PROGRAM POWER
Sensitivity:	86 dB, 1W @ 1m	
Input/Output section	Input connectors:	Euroblock
	Output connectors:	Euroblock
Standard compliance	CE marking:	Yes
Physical specifications	Cabinet/Case Material:	Plastic
	Hardware:	Wall mount bracket
	Grille:	Steel
	Color:	Black - RAL 9005, White - RAL 9003
Size	Height:	216 mm / 8.5 inches
	Width:	154 mm / 6.06 inches
	Depth:	135 mm / 5.31 inches
	Weight:	2.2 kg / 4.85 lbs
Shipping informations	Package Height:	285 mm / 11.22 inches
	Package Width:	400 mm / 15.75 inches
	Package Depth:	235 mm / 9.25 inches
	Package Weight:	5.3 kg / 11.68 lbs



PART NUMBER

• **13100036**

MR 40 W

White - RAL 9003

EAN 8024530017194

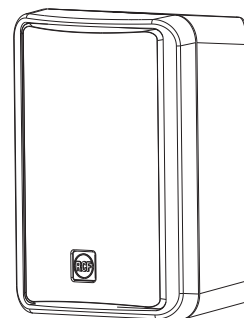
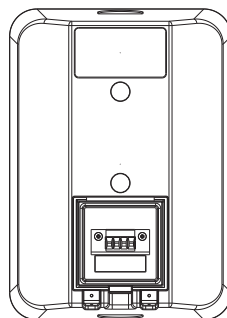
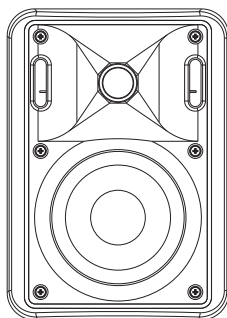
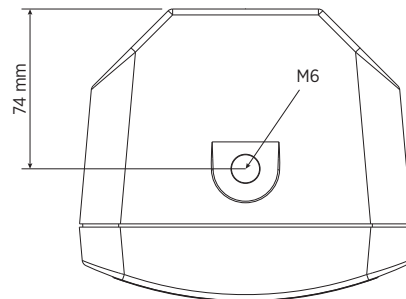
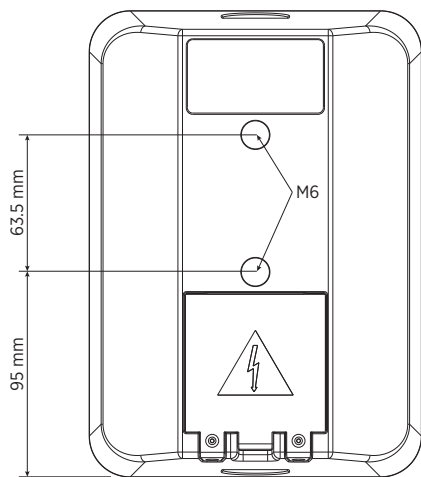
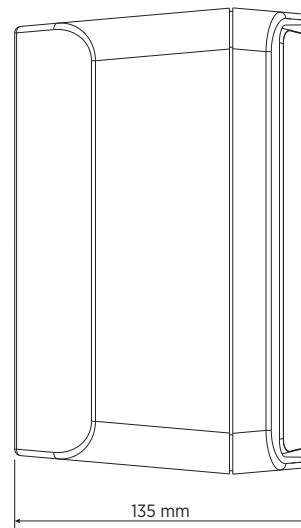
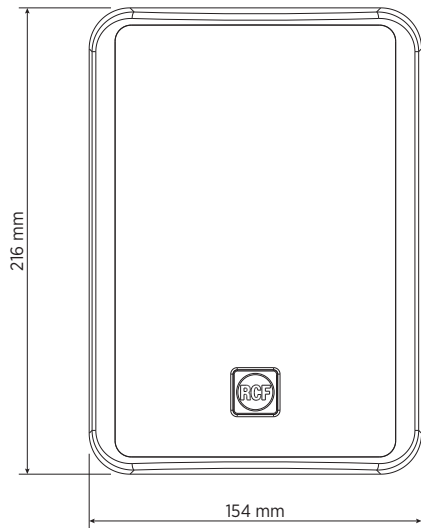
• **13100034**

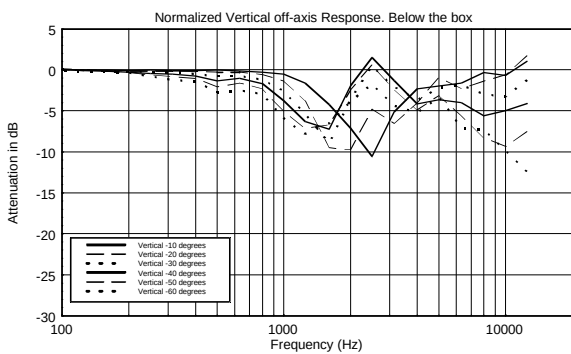
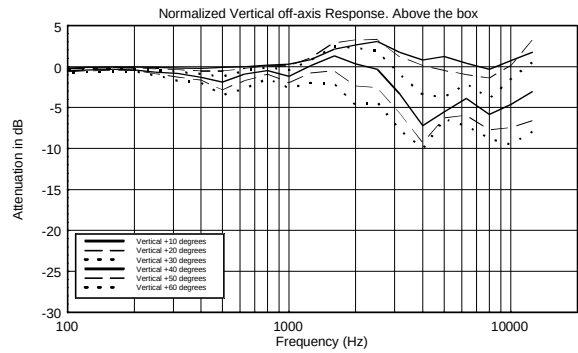
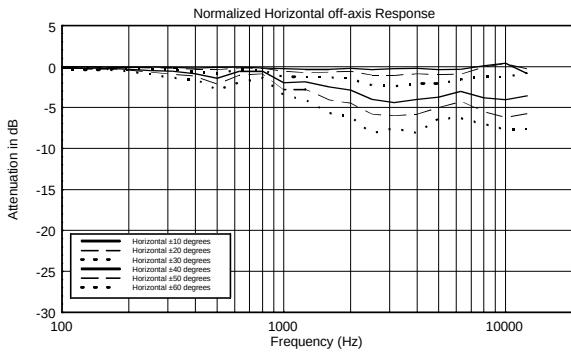
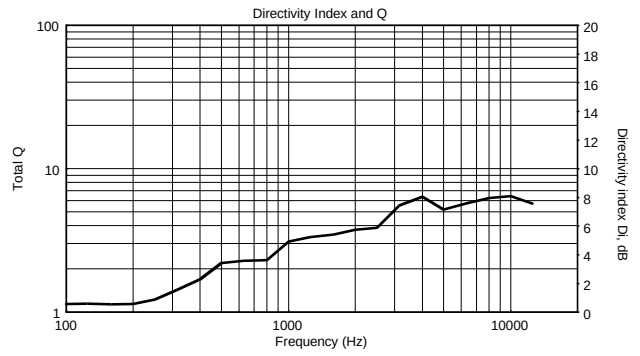
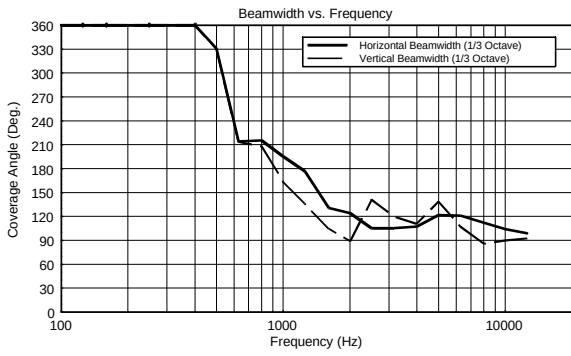
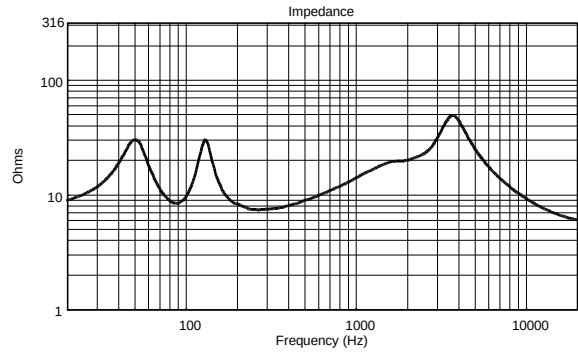
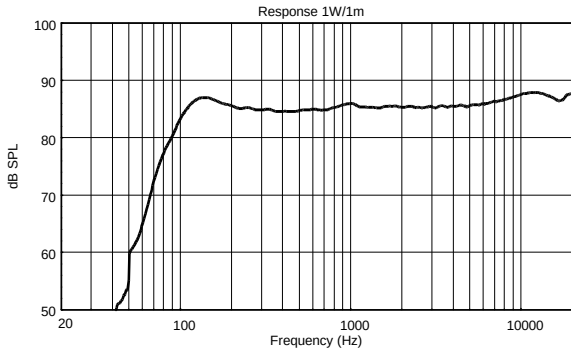
MR 40

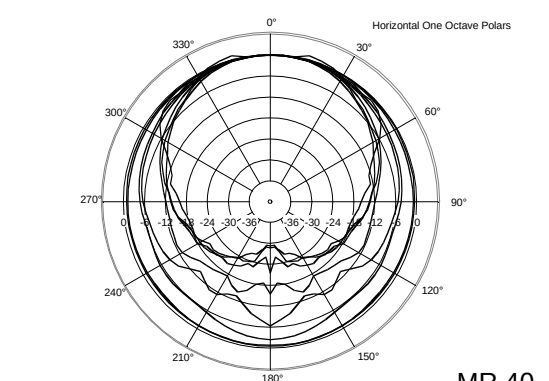
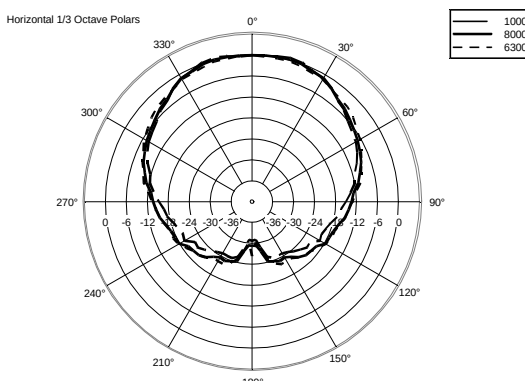
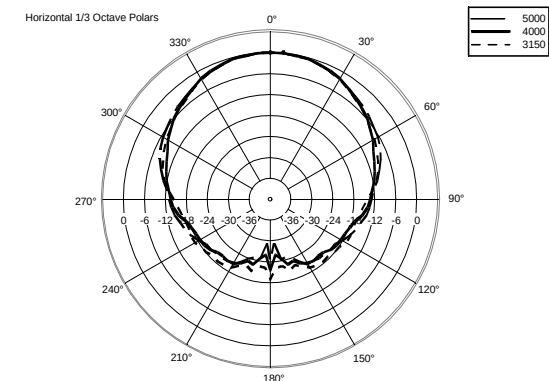
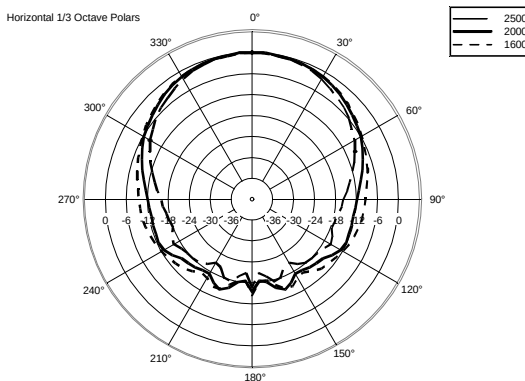
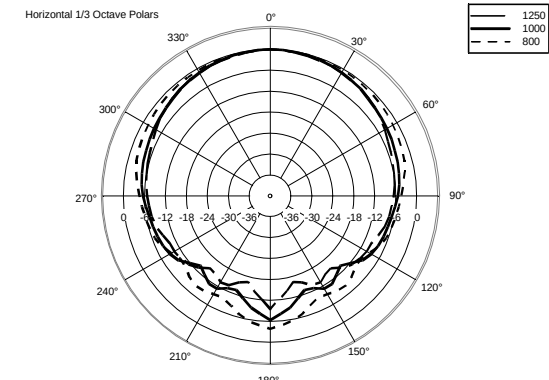
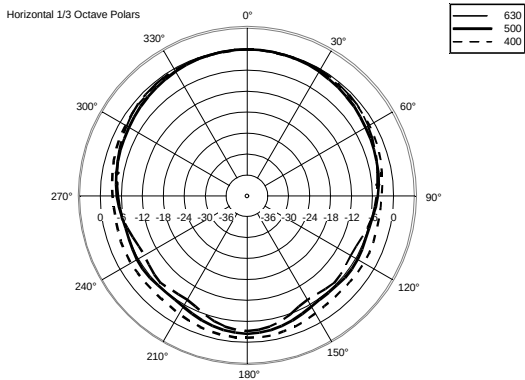
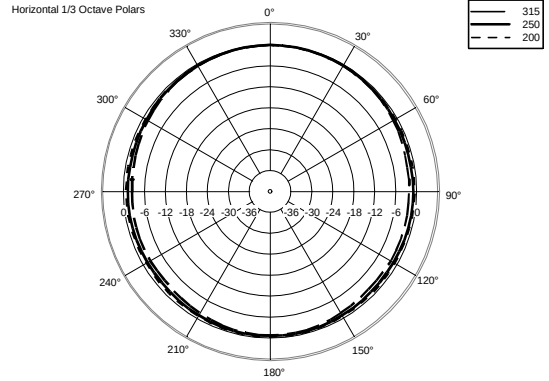
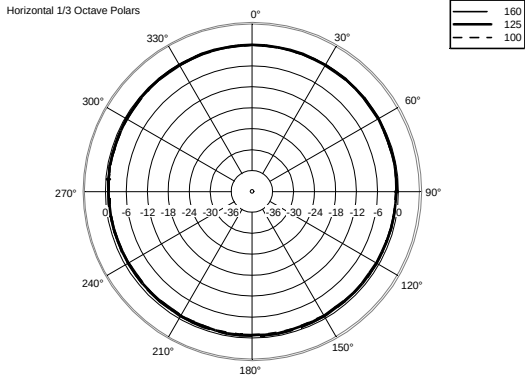
Black - RAL 9005

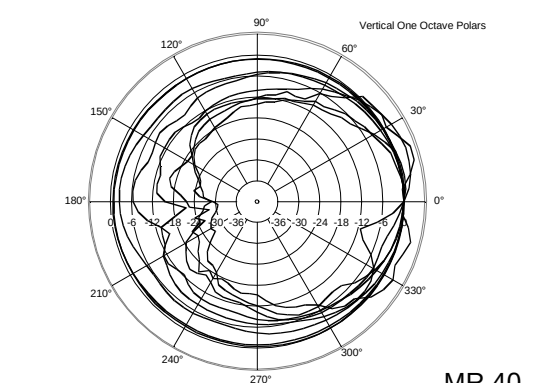
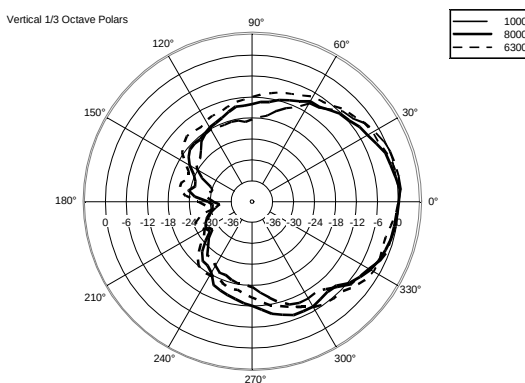
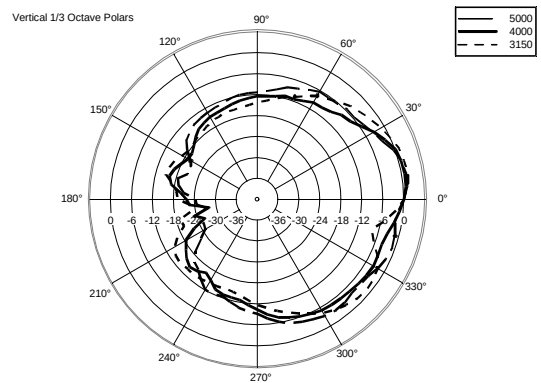
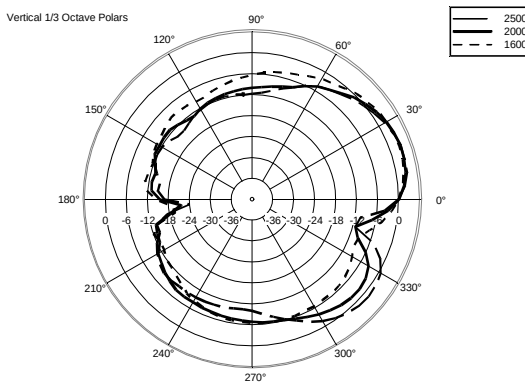
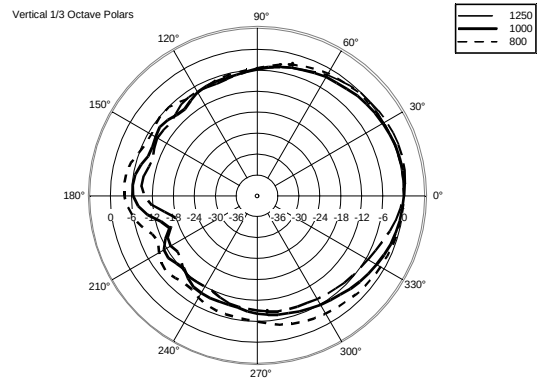
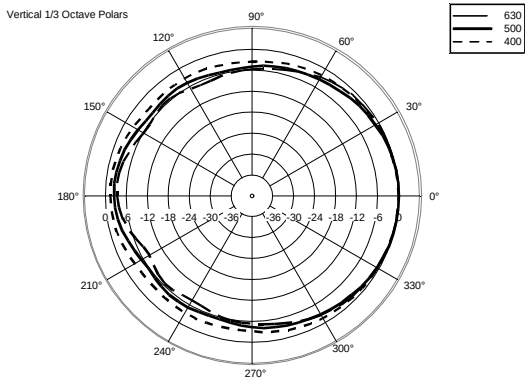
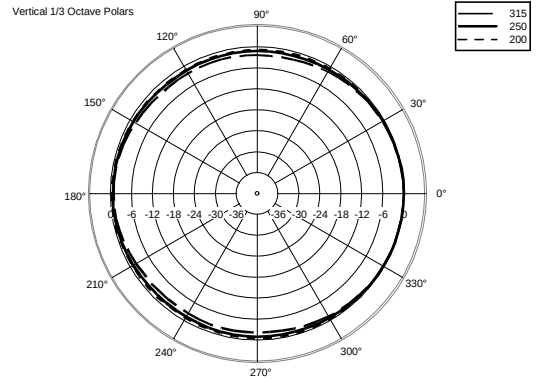
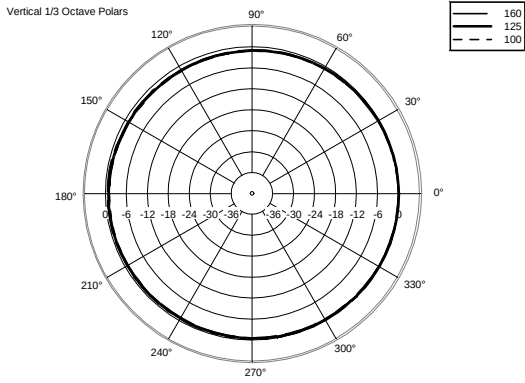
EAN 8024530017255

DRAWINGS









ACCESSORIES



MOUNTING ACCESSORY MA 4

PART NUMBER **13360367**
EAN: 8024530014308



MOUNTING ACCESSORY MA 4 W

PART NUMBER **13360368**
EAN: 8024530014315



A&E SPECIFICATIONS

The product shall be a multipurpose two-way bass-reflex speaker, suitable for a wide range of applications, providing a balanced sound in near-field applications to get the best intelligibility.

Its design shall be elegant and compact with accurate finishing, suitable for almost any environment, even with architectural constraints.

It shall be equipped with a 4" woofer and a 1" dome tweeter.

Optional mounting accessories shall be available for wall or ceiling installations.
