

P 8015S

WEATHERPROOF SUBWOOFER

DESCRIPTION

P 8015S is a weatherproof bass reflex subwoofer equipped with a 15" low-frequency neodymium transducer with a 4" voice coil offering power and efficiency for a variety of professional outdoor or indoor applications. The P 8015S has been specifically designed to reinforce the low-frequency range in P Series speakers array systems. The single-piece roto-molded cabinet is fully UV protected and meets IP-55 standard requirements (International Protection Rating), equipped with M10 brass inserts (12x) and a durable and corrosion-resistant stainless steel U-Bracket and spacers (2x) for 90° mounting. The aluminum grille cover is powder coated with a water-repellent fabric backing.



FEATURES

- 132 dB max SPL, 800 W RMS
- Weatherproof IP55 cabinet with UV protection
- Rotomoulded single piece cabinet
- Aluminum grille and 316P stainless steel bracket
- Arrayable bass-reflex compact subwoofer
- 15" high power neodymium woofer with 4" voice coil
- 12 brass suspension points (M10)

TECHNICAL SPECIFICATIONS

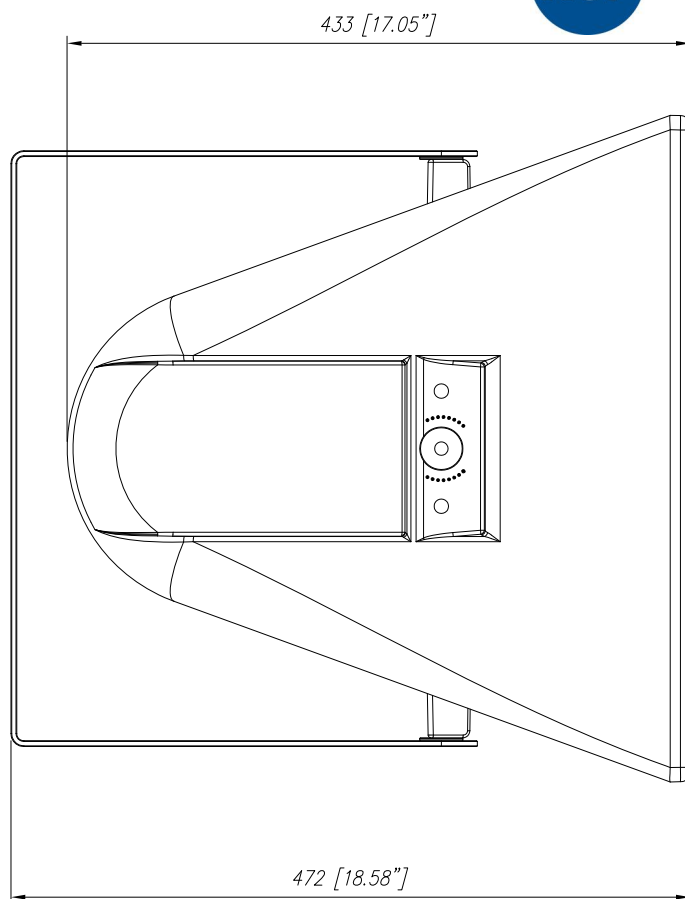
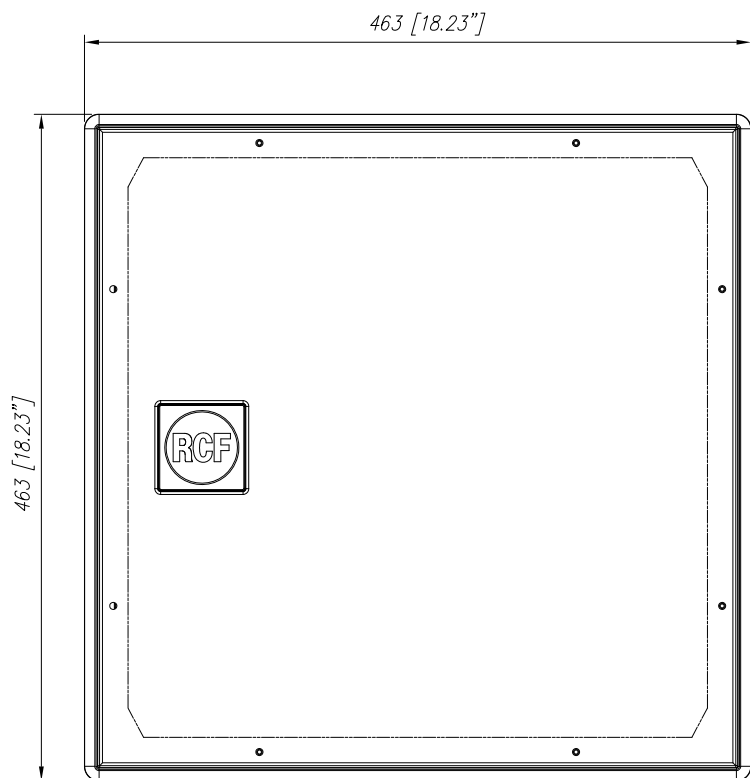
Acoustical specifications	Frequency Response (-10dB):	50 Hz ÷ 200 Hz
	Max SPL @ 1m:	132 dB
	System Sensitivity:	97 dB
Power section	Nominal Impedance:	8 ohm
	Power Handling:	800 W RMS
	Peak Power Handling:	3200 W PEAK
	Recommended Amplifier:	1600 W
Transducers	Woofers:	15" neo, 4.0" v.c
	Nominal Impedance:	8 ohm
	Sensitivity:	97 dB, 1W @ 1m
Input/Output section	Input connectors:	Neoprene Cable
Standard compliance	IP protection grade:	IP 55
	CE marking:	Yes
Physical specifications	Cabinet/Case Material:	PE Low Density
	Hardware:	12 x M10 + U bracket and pair of spacers
	Grille:	Aluminum with waterproof clothing
	Color:	Black
Size	Height:	463 mm / 18.23 inches
	Width:	463 mm / 18.23 inches
	Depth:	433 mm / 17.05 inches
	Weight:	16.5 kg / 36.38 lbs
Shipping informations	Package Height:	519 mm / 20.43 inches
	Package Width:	489 mm / 19.25 inches
	Package Depth:	489 mm / 19.25 inches
	Package Weight:	21.5 kg / 47.4 lbs

PART NUMBER

- **13000230**

P 8015S

EAN 8024530008819



P3115

P6215

P8015

