

S 8028 II

BASS REFLEX SUBWOOFER

DESCRIPTION

The S8028 II is a very high-output, high power bass reflex subwoofer.

The system is equipped with two advanced, hypervented 18" RCF precision woofers mounted in a bass reflex configuration. The cabinet design is optimised to achieve tight and maximised output. Each 18" features massive vented magnets and 4" copper voice coil and represents the state of the art of RCF precision transducers technology. The system is able to produce a Max SPL of 141 dB and handles 3000 Watts AES. The cabinet features two Neutrik Speakon™ connectors in a recessed input plate. A M20 pole mount adaptor is provided on the top of the cabinet.



FEATURES

- 2 x 18" high-efficiency 4.0" voice-coil woofer with Inside/Outside Coil Technology
- 141 dB maximum sound pressure level
- Response down to 30 Hz
- System Power rating 3000 Watt RMS
- M20 standard pole mount in top section of cabinet
- Baltic Birch cabinet painted with black, heavy duty, textured epoxy
- Recessed Speakon NL4 Input/Output
- Protective metal grille, polyester fabric coated

TECHNICAL SPECIFICATIONS

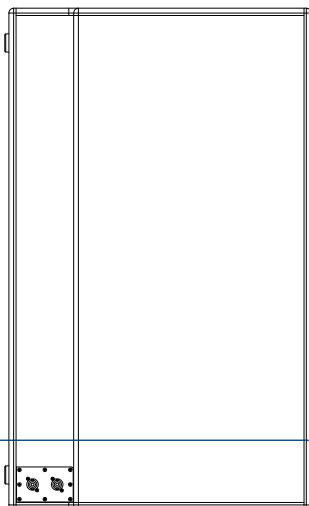
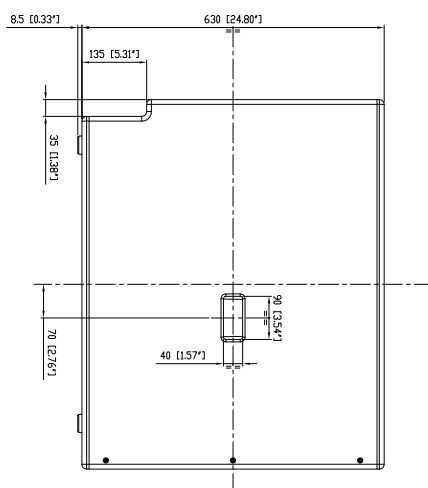
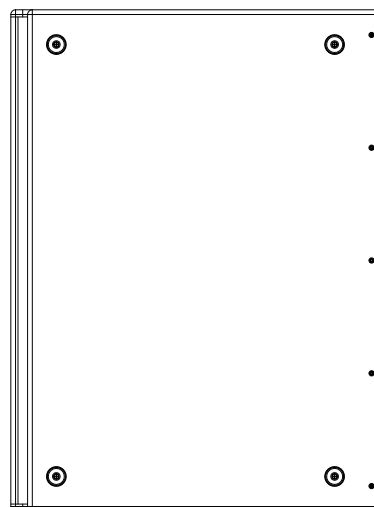
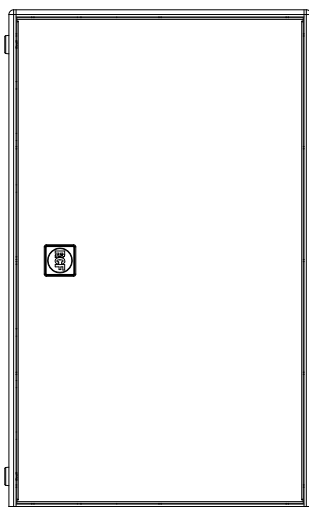
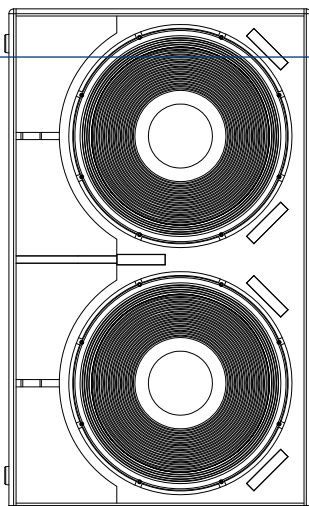
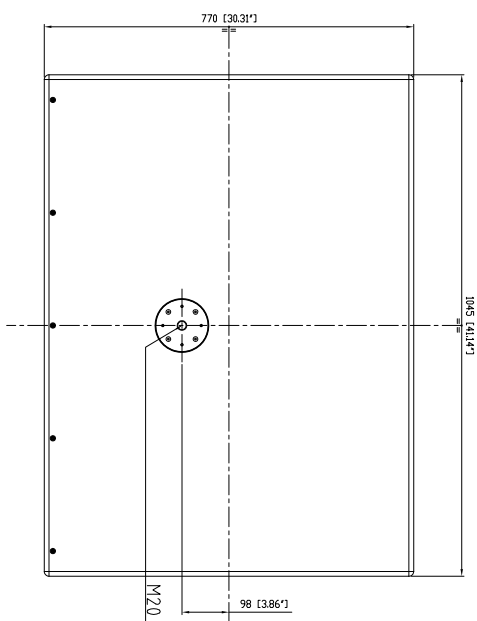
Acoustical specifications	Frequency Response (-10dB):	30 Hz ÷ 200 Hz
	Max SPL @ 1m:	141 dB
	System Sensitivity:	101 dB
Power section	Nominal Impedance (ohm):	4 ohm
	Power Handling:	3000 W RMS
	Peak Power Handling:	12000 W PEAK
	Recommended Amplifier:	6000 W
Transducers	Woofer:	2 x 18", 4.0" v.c
	Nominal Impedance (ohm):	8 ohm
	Input Power Rating:	1500 W AES, 3000 W PEAK
	Sensitivity:	100 dB, 1W @ 1m
Input/Output section	Input connectors:	Speakon® NL4
	Output connectors:	Speakon® NL4
Standard compliance	CE marking:	Yes
Physical specifications	Cabinet/Case Material:	Baltic birch plywood
	Handles:	Integrated hand carry points
	Pole mount/Cap:	Yes
	Grille:	Metal
	Color:	Black
Size	Height:	639 mm / 25.16 inches
	Width:	1045 mm / 41.14 inches
	Depth:	770 mm / 30.31 inches
	Weight:	80 kg / 176.37 lbs
Shipping informations	Package Height:	675 mm / 26.57 inches
	Package Width:	1080 mm / 42.52 inches
	Package Depth:	805 mm / 31.69 inches
	Package Weight:	85 kg / 187.39 lbs

PART NUMBER

- **13000391**

S 8028 II

EAN 8024530010560



S8028 II

