

SUB 9007-AS

ACTIVE HIGH POWER SUBWOOFER

DESCRIPTION

The SUB 9007-AS is one of the most powerful 2x21" subwoofers in the field of live sound. Featuring two, high power, hyper-vented 21" neodymium woofers with 4.0" inside-outside voice coils, this cabinet deliver a serious amount of low frequencies. Powered by a 7200 W digital amplifier, the SUB 9007-AS can perform in the most demanding situations. The housing of the SUB 9007-AS match the RCF D-Line HDL 50 and HDL 20 array systems, enabling stacked systems matched a perfect combination.



FEATURES

- 7200 Watt Peak power - 3600 Watt RMS
- 141 dB max SPL
- 25 Hz - 120 Hz frequency response
- 2 x 21" Woofer
- DSP controlled Input section with selectable presets
- Delay control
- Integrated mechanics for multiple configurations with HDL50-A, HDL20-A, HDL10-A
- RDNet remote and control
- Baltic birch tour grade cabinet

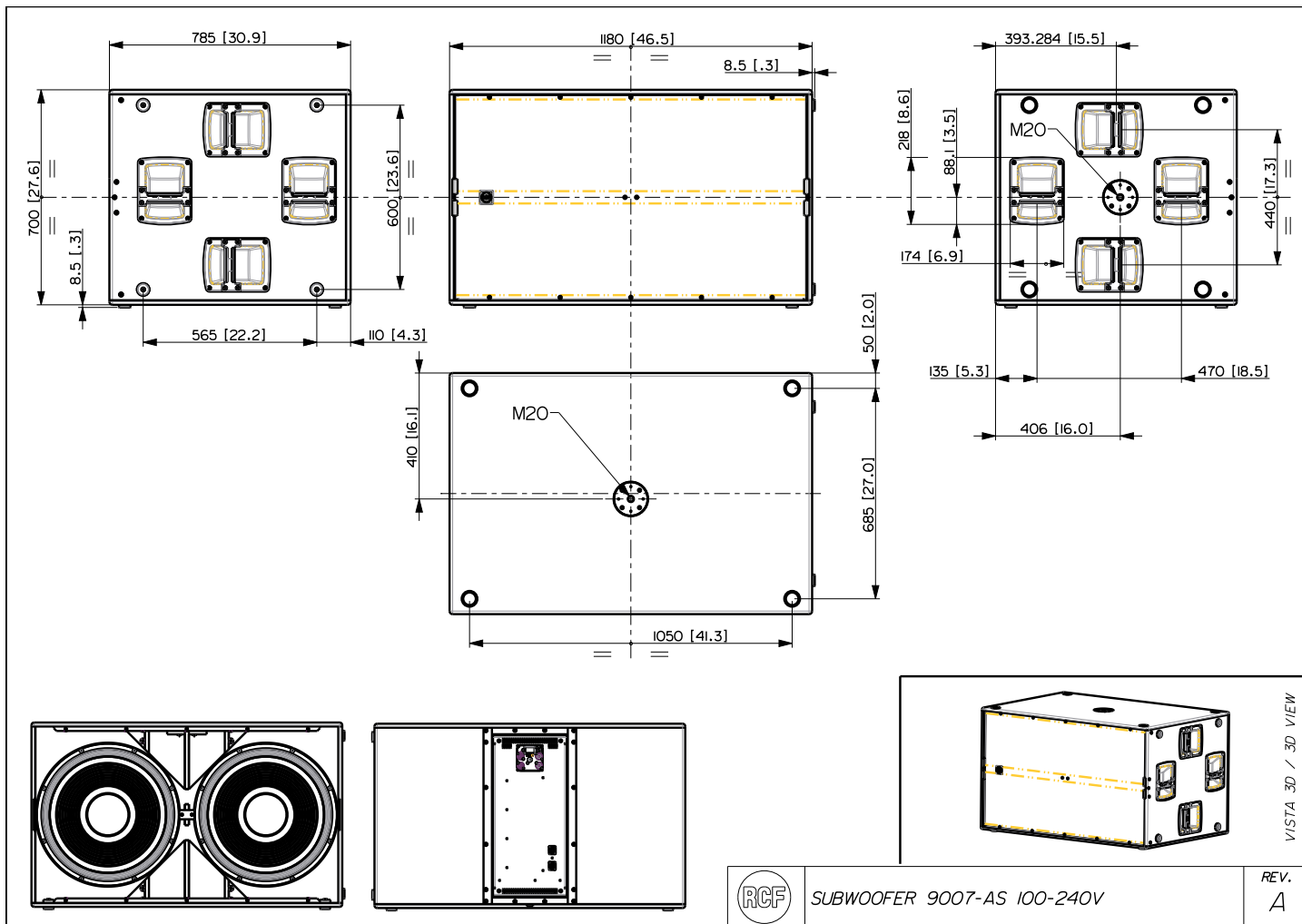
TECHNICAL SPECIFICATIONS

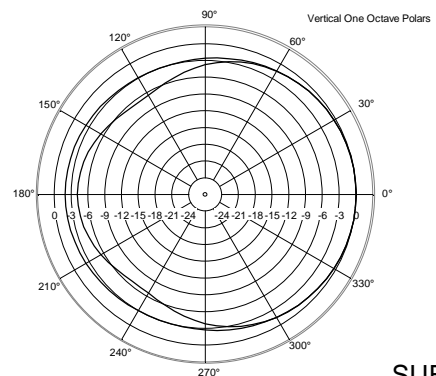
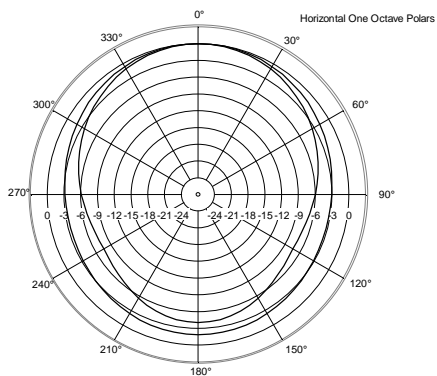
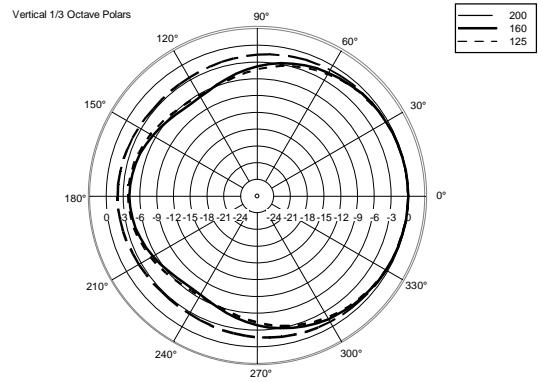
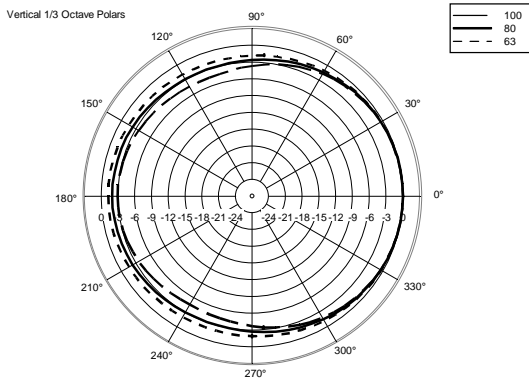
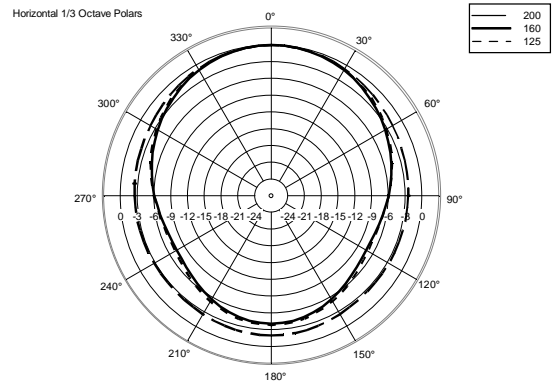
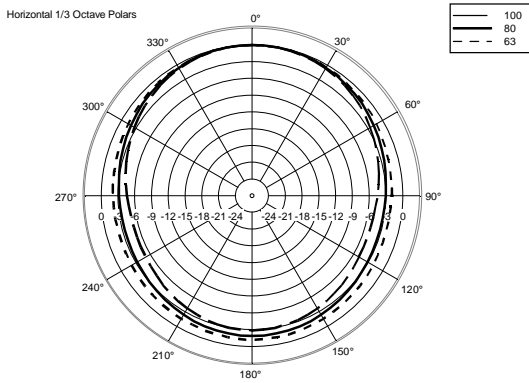
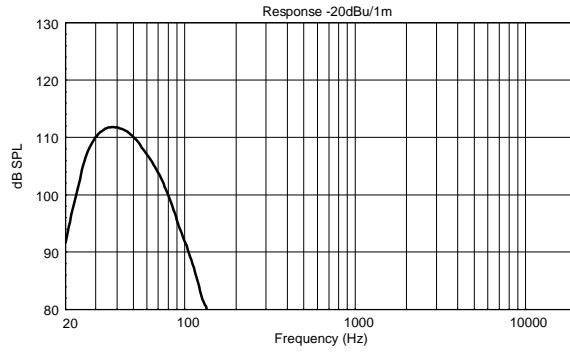
Acoustical specifications	Frequency Response:	20 Hz ÷ 400 Hz
	Max SPL @ 1m:	141 dB
Transducers	Woofers:	2 x 21", 4.0" v.c
Input/Output section	Input signal:	bal/unbal
	Input connectors:	XLR, RNet Ethercon
	Output connectors:	XLR, RNet Ethercon
	Input sensitivity:	+4 dBu
Processor section	Hi-Pass Frequencies:	25Hz, 35Hz
	Low-Pass Frequencies:	Variable from 50Hz to 400Hz
	Protections:	Thermal, RMS
	Limiter:	Fast Limiter
	Controls:	Gain, EQ, Xover, Phase switch, Output Delay Settings, Cardiloid
	RNet:	Yes
Power section	Total Power:	7200 W Peak, 3600 W RMS
	Low frequencies:	7200 W Peak, 3600 W RMS
	Cooling:	Convection
	Connections:	Powercon IN/OUT
Standard compliance	CE marking:	Yes
Physical specifications	Cabinet/Case Material:	Baltic birch plywood
	Hardware:	Mounting points, 2 x M20
	Handles:	8 side
	Grille:	Steel
	Color:	Black
Size	Height:	708 mm / 27.87 inches
	Width:	1188 mm / 46.77 inches
	Depth:	785 mm / 30.91 inches
	Weight:	96 kg / 211.64 lbs
Shipping informations	Package Height:	760 mm / 29.92 inches
	Package Width:	825 mm / 32.48 inches
	Package Depth:	1135 mm / 44.69 inches
	Package Weight:	110 kg / 242.51 lbs



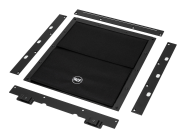
PART NUMBER

- **13000493**
SUB 9007-AS
90-240V
EAN 8024530013578





ACCESSORIES



RAIN PROTECTION RP 1X SUB 9007

PART NUMBER **13360352**
EAN: 8024530013790
