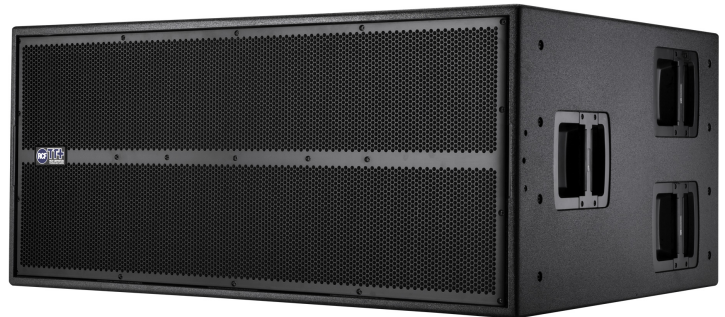


# TTS 36-A

## ACTIVE HIGH POWER SUBWOOFER

### DESCRIPTION

The TTS36-A is a high power, high output active subwoofer system that sets a new standard in the touring sound reinforcement. The new 18" neodymium design represents the result of many years dedicated in pioneering new solutions for the transducers technology. The integration of the 4000 Watt, 2 channels digital amplification and the advanced digital processing set a new standard for distortion, noise and thermal efficiency.



### FEATURES

- 4000 watt (2 x 2000 Watt digital amplifiers)
- 2 x 18" high power neodymium woofers, 4.5" v. c.
- 96 KHz, 32 bit DSP processing
- Remote monitoring and control
- Time delay alignment
- Bass reflex design, Cardioid preset for groups
- Tour grade cabinet
- RDNet on board
- Maximum output per size on market

## TECHNICAL SPECIFICATIONS

<b>Acoustical specifications</b>	Frequency Response:	35 Hz ÷ 120 Hz
	Max SPL @ 1m:	143 dB
<b>Transducers</b>	Woofers:	2 x 18" neo, 4.5" v.c
<b>Input/Output section</b>	Input signal:	bal/unbal
	Input connectors:	XLR, RDNet Ethercon
	Output connectors:	XLR, RDNet Ethercon
	Input sensitivity:	-2 dBu/+10 dBu
<b>Processor section</b>	Hi-Pass Frequencies:	30-45 Hz
	Low-Pass Frequencies:	60-90 Hz
	Protections:	Thermal, Excurs., RMS
	Limiter:	Soft Limiter
	Controls:	DSP Controlled
	RDNet:	Yes
<b>Power section</b>	Total Power:	8000 W Peak, 4000 W RMS
	Low frequencies:	8000 W Peak, 4000 W RMS
	Cooling:	Convection/Forced
	Connections:	Powercon IN/OUT
<b>Standard compliance</b>	CE marking:	Yes
<b>Physical specifications</b>	Cabinet/Case Material:	Baltic birch plywood
	Hardware:	4 wheels, Steel bars x fork-lift
	Handles:	6 side
	Grille:	Steel
	Color:	Black
<b>Size</b>	Height:	525 mm / 20.67 inches
	Width:	1170 mm / 46.06 inches
	Depth:	850 mm / 33.46 inches
	Weight:	100 kg / 220.46 lbs
<b>Shipping informations</b>	Package Height:	1151 mm / 45.31 inches
	Package Width:	1194 mm / 47.01 inches
	Package Depth:	794 mm / 31.26 inches
	Package Weight:	154 kg / 339.51 lbs



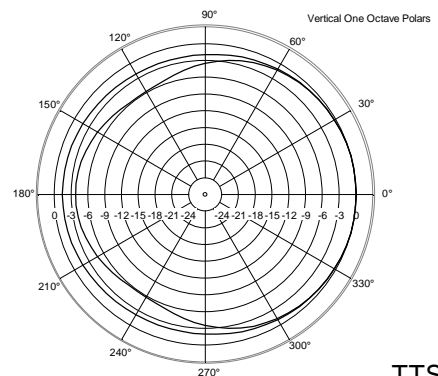
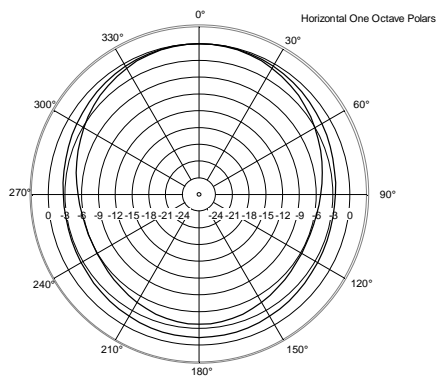
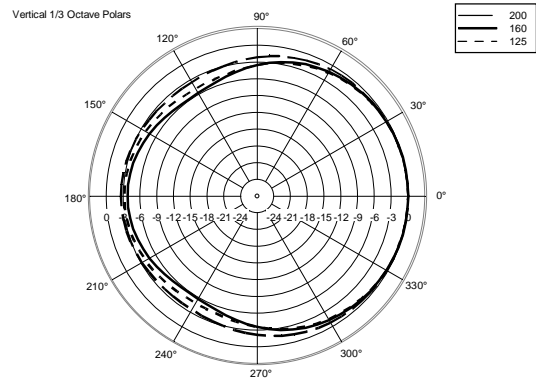
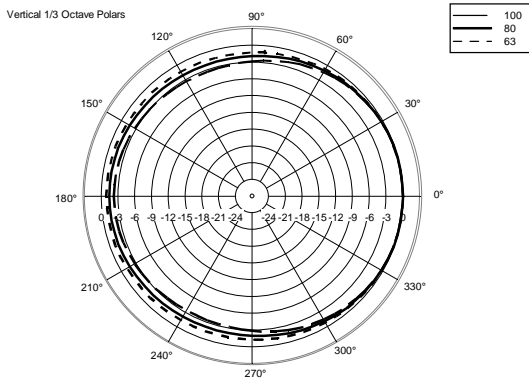
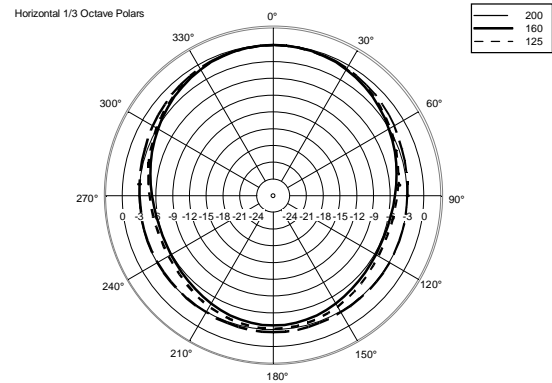
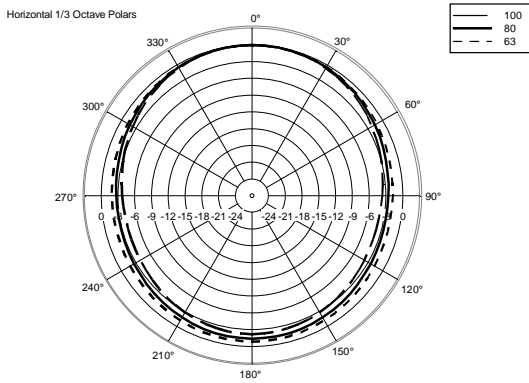
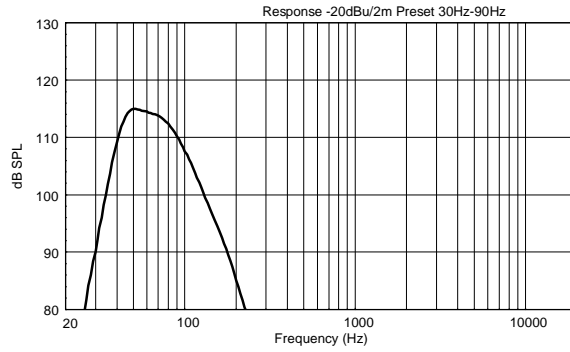
**PART NUMBER**

- **13000272**

TTS 36-A

90-240V

EAN 8024530009090



**ACCESSORIES**

AC POWER CABLE 6X TTS55

PART NUMBER  
EAN:**13360138**

AC RAIN COVER TTS56-A

PART NUMBER  
EAN:**13360137**

AC XLR-3M3F XLR CONN. 3MALE3FEMALEXCABLE

PART NUMBER  
EAN:**13360102**

8024530006402



CABLES KIT CBL ETHERCON 0.7M

PART NUMBER  
EAN:**12399016**

8024530013844



CABLES KIT CBL ETHERCON 3M

PART NUMBER  
EAN:**12399035**

8024530013868



CABLES KIT CBL ETHERCON 5M

PART NUMBER  
EAN:**12399018**

8024530013875



CABLES KIT CBL ETHERCON TO XLR F 0.2M

PART NUMBER  
EAN:**12399019**

8024530013882



CABLES KIT CBL ETHERCON TO XLR M 0.2M

PART NUMBER  
EAN:**12399020**

8024530013899



CABLES KIT CBL LK 25 MULTIPIN 10M

PART NUMBER  
EAN:**12399023**

8024530013837



CABLES KIT CBL LK 25 MULTIPIN 20M

PART NUMBER **12399022**  
EAN: 8024530013820



CABLES KIT CBL LKS 19 ARRAY FANOUT

PART NUMBER **12399024**  
EAN: 8024530013905



CABLES KIT CBL LKS 19 BREAKOUT

PART NUMBER **12399026**  
EAN: 8024530013929



CABLES KIT CBL LKS 19 POWER 10M

PART NUMBER **12399027**  
EAN: 8024530013936



CABLES KIT CBL LKS 19 SUB FANOUT

PART NUMBER **12399025**  
EAN: 8024530013912



CABLES KIT CBL POWER BOX 6X

PART NUMBER **13360145**  
EAN: 8024530015534



CABLES KIT CBL POWERCON LINK 1.5M

PART NUMBER **12399030**  
EAN: 8024530013721



CABLES KIT CBL POWERCON LINK 10M

PART NUMBER **12399028**  
EAN: 8024530013707



CABLES KIT CBL POWERCON LINK 5M

PART NUMBER **12399029**  
EAN: 8024530013714



CABLES KIT LK 25-2 FANOUT

PART NUMBER **12399021**  
EAN: 8024530013813



LKS 19-20 POWER CABLE

PART NUMBER **13360146**  
EAN: 8024530013943



PRO SWIVEL WHEELS KIT

PART NUMBER **13360238**  
EAN:

---