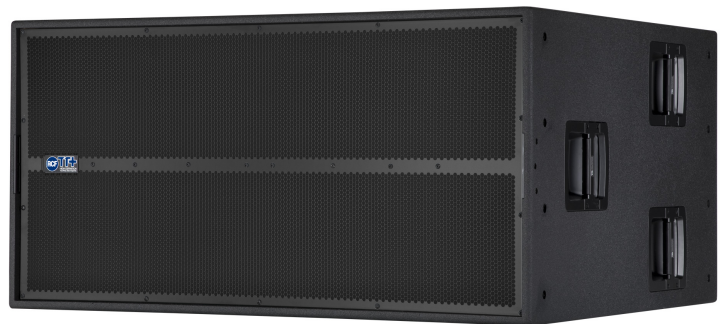


# TTS 56-A

## ACTIVE HIGH POWER SUBWOOFER

### DESCRIPTION

The TTS56-A is a high power, high output active subwoofer system that sets a new standard in the touring sound reinforcement. The new 21" neodymium design represents the result of many years dedicated in pioneering new solutions for the transducers technology. The integration of the 6800 W, two channel digital amplification and the advanced digital processing set a new standard for distortion, noise and thermal efficiency.



### FEATURES

- 2 x 3400 W digital amplifiers
- 2 x 21" high power neodymium woofers
- 96 kHz, 32 bit DSP processing
- Remote monitoring and control
- Time delay alignment
- Cardioid preset for groups
- Tour grade cabinet
- RDNet on board
- Maximum output per size on market

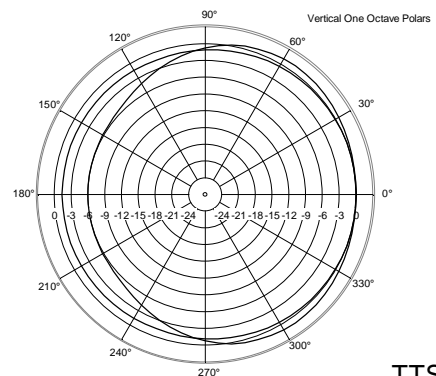
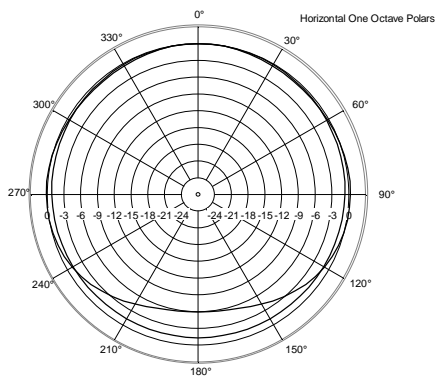
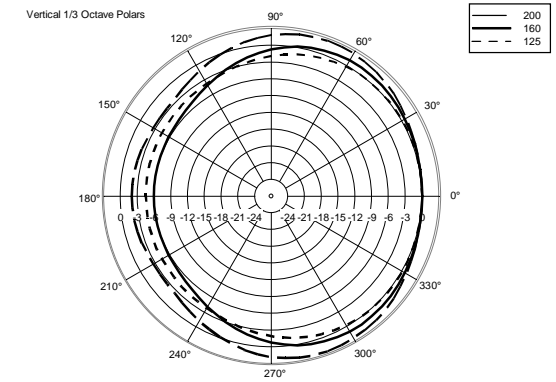
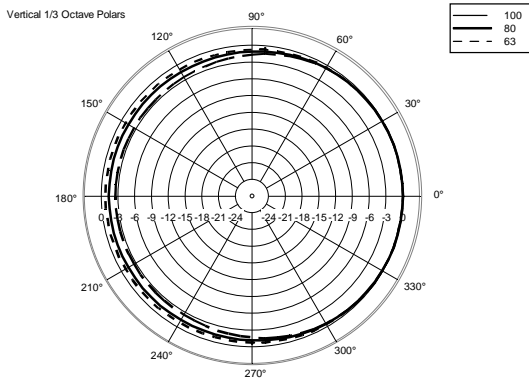
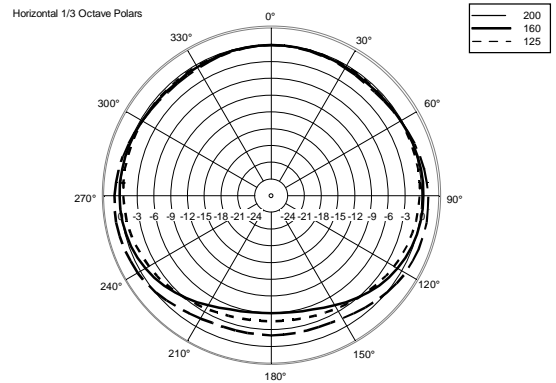
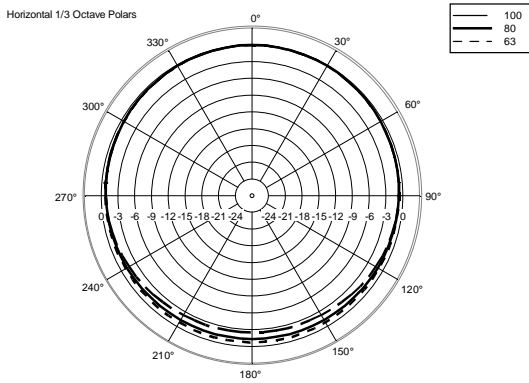
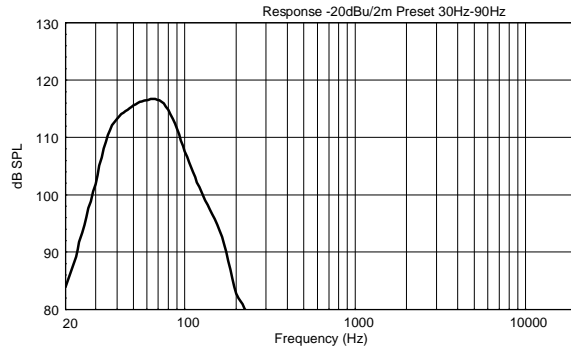
## TECHNICAL SPECIFICATIONS

<b>Acoustical specifications</b>	Frequency Response:	30 Hz ÷ 100 Hz
	Max SPL @ 1m:	145 dB
<b>Transducers</b>	Woofers:	2 x 21" neo, 4.5" v.c
<b>Input/Output section</b>	Input signal:	bal/unbal
	Input connectors:	XLR, RDNet Ethercon
	Output connectors:	XLR, RDNet Ethercon
	Input sensitivity:	-2 dBu/+10 dBu
<b>Processor section</b>	Hi-Pass Frequencies:	30-45 Hz
	Low-Pass Frequencies:	60-90 Hz
	Protections:	Thermal, Excurs., RMS
	Limiter:	Soft Limiter
	Controls:	DSP Controlled
	RDNet:	Yes
<b>Power section</b>	Total Power:	13600 W Peak, 6800 W RMS
	Low frequencies:	13600 W Peak, 6800 W RMS
	Cooling:	Convection/Forced
	Connections:	Powercon IN/OUT
<b>Standard compliance</b>	CE marking:	Yes
<b>Physical specifications</b>	Cabinet/Case Material:	Baltic birch plywood
	Hardware:	2 x steel bar fork - lift transportation, 4 x 100 mm wheels
	Handles:	6 side
	Grille:	Steel
	Color:	Black
<b>Size</b>	Height:	590 mm / 23.23 inches
	Width:	1170 mm / 46.06 inches
	Depth:	988 mm / 38.9 inches
	Weight:	122.8 kg / 270.73 lbs
<b>Shipping informations</b>	Package Height:	1316 mm / 51.81 inches
	Package Width:	800 mm / 31.5 inches
	Package Depth:	1200 mm / 47.24 inches
	Package Weight:	178.2 kg / 392.86 lbs



**PART NUMBER**

- **13000190**  
TTS 56-A  
90-240V  
EAN 8024530008611



**ACCESSORIES**

AC POWER CABLE 6X TTL55

PART NUMBER  
EAN:**13360138**

AC RAIN COVER TTS56-A

PART NUMBER  
EAN:**13360137**

AC XLR-3M3F XLR CONN. 3MALE3FEMALEXCABLE

PART NUMBER  
EAN:**13360102**

8024530006402



CABLES KIT CBL ETHERCON 0.7M

PART NUMBER  
EAN:**12399016**

8024530013844



CABLES KIT CBL ETHERCON 3M

PART NUMBER  
EAN:**12399035**

8024530013868



CABLES KIT CBL ETHERCON 5M

PART NUMBER  
EAN:**12399018**

8024530013875



CABLES KIT CBL ETHERCON TO XLR F 0.2M

PART NUMBER  
EAN:**12399019**

8024530013882



CABLES KIT CBL ETHERCON TO XLR M 0.2M

PART NUMBER  
EAN:**12399020**

8024530013899



CABLES KIT CBL LK 25 MULTIPIN 10M

PART NUMBER  
EAN:**12399023**

8024530013837



CABLES KIT CBL LK 25 MULTIPIN 20M

PART NUMBER **12399022**  
EAN: 8024530013820



CABLES KIT CBL LKS 19 ARRAY FANOUT

PART NUMBER **12399024**  
EAN: 8024530013905



CABLES KIT CBL LKS 19 BREAKOUT

PART NUMBER **12399026**  
EAN: 8024530013929



CABLES KIT CBL LKS 19 POWER 10M

PART NUMBER **12399027**  
EAN: 8024530013936



CABLES KIT CBL LKS 19 SUB FANOUT

PART NUMBER **12399025**  
EAN: 8024530013912



CABLES KIT CBL POWER BOX 6X

PART NUMBER **13360145**  
EAN: 8024530015534



CABLES KIT CBL POWERCON LINK 1.5M

PART NUMBER **12399030**  
EAN: 8024530013721



CABLES KIT CBL POWERCON LINK 10M

PART NUMBER **12399028**  
EAN: 8024530013707



CABLES KIT CBL POWERCON LINK 5M

PART NUMBER **12399029**  
EAN: 8024530013714



CABLES KIT LK 25-2 FANOUT

PART NUMBER **12399021**  
EAN: 8024530013813



COVER CVR FRONT TTS 56

PART NUMBER **13360140**  
EAN:



COVER CVR TTS 56

PART NUMBER **13360135**  
EAN: 8024530006792



LKS 19-20 POWER CABLE

PART NUMBER **13360146**  
EAN: 8024530013943



NYLON SLED FOR TTS56-A

PART NUMBER **13360157**  
EAN:



PRO SWIVEL WHEELS KIT

PART NUMBER **13360238**  
EAN: