

WMF 33EN

TWO-WAY PASSIVE WALL MOUNT SPEAKER

DESCRIPTION

WMF 33EN is a two-way wall mount speaker designed for both horizontal and vertical installation. It is especially suitable for broadcasting background music into commercial spaces, but also includes alarm messages with highly intelligible voice reproduction and EN 54-24 certification. It features a UL rated plastic cabinet with a steel magnetic grille and is easy to install with its smart support system. The terminal connection blocks, for input and output flameproof cables, are made of ceramic material. A thermal fuse protects the integrity of the line in case of heat affecting the speaker.



FEATURES

- 2 x 3" full-range transducers with 1" dome tweeter
- Power selectable (70 V / 100 V): 40 W - 20 W - 10 W - 5 W - 2.5 W
- 88 dB sensitivity
- Colour black RAL 9005
- Voice Alarm EN 54-24 Certified
- In/out ceramic terminal block
- Thermal fuse protection
- Connections integrated in the wall support
- UL rated plastic enclosure

TECHNICAL SPECIFICATIONS

| | | |
|----------------------------------|-------------------------------|--|
| Acoustical specifications | Frequency Response (-10dB): | 80 Hz ÷ 22000 Hz |
| | Max SPL @ 1m: | 105 dB |
| | Max SPL @ 4m: | 93 dB |
| | Horizontal coverage angle: | 100° |
| | Vertical coverage angle: | 160° |
| | System Sensitivity: | 88 dB |
| | System Sensitivity 1W @ 4m: | 76 dB |
| Power section | Amplification: | Full Range |
| | Nominal Impedance: | 8 ohm |
| | Power Handling: | 40 W |
| | Peak Power Handling: | 160 W PEAK |
| | Protections: | Thermal fuse - PTC |
| | Crossover Frequencies: | 2500 |
| | Recommended Amplifier: | DMA 162, DMA 162P, DMA 504, DMA 82, DXT 3000, DXT 7000 |
| Transducers | Dome Tweeter: | 1.0" neo, 1.0" v.c |
| | Woofer: | 2 x 3.0", 1.0" v.c |
| Input/Output section | Input connectors: | Ceramic screw terminals |
| | Output connectors: | Ceramic screw terminals |
| | Constant Voltage Transformer: | 70/100 V |
| | Power selection 1: | 40 W - 250 ohm |
| | Power selection 2: | 20 W - 500 ohm |
| | Power selection 3: | 10 W - 1000 ohm |
| | Power selection 4: | 5 W - 2000 ohm |
| Power selection 5: | 2.5 W - 4000 ohm | |
| Standard compliance | Safety agency: | CE compliant |
| | EN54-24 certified: | Yes |
| | CPR number: | 0068/CPR/057-2019 |
| Physical specifications | Hardware: | Wall mount bracket |
| | Color: | Black - RAL 9005 |
| Size | Height: | 399 mm / 15.71 inches |
| | Width: | 92 mm / 3.62 inches |
| | Depth: | 236 mm / 9.29 inches |
| | Weight: | 5 kg / 11.02 lbs |
| Shipping information | Package Height: | 186 mm / 7.32 inches |
| | Package Width: | 596 mm / 23.46 inches |
| | Package Depth: | 276 mm / 10.87 inches |
| | Package Weight: | 7 kg / 15.43 lbs |



PART NUMBER

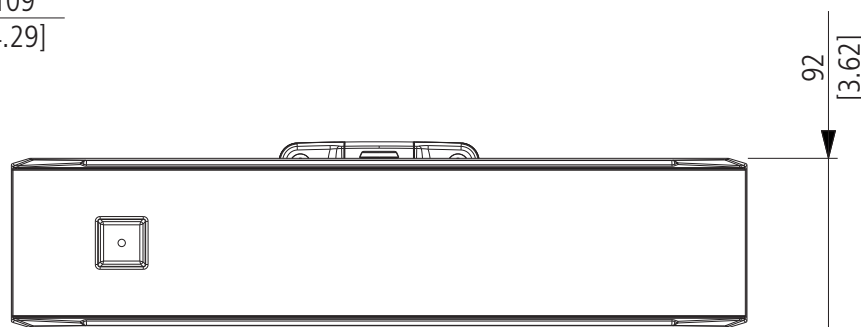
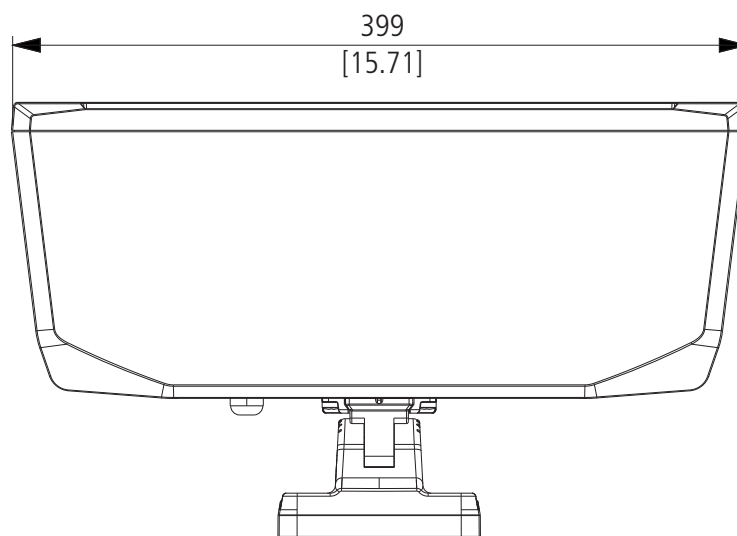
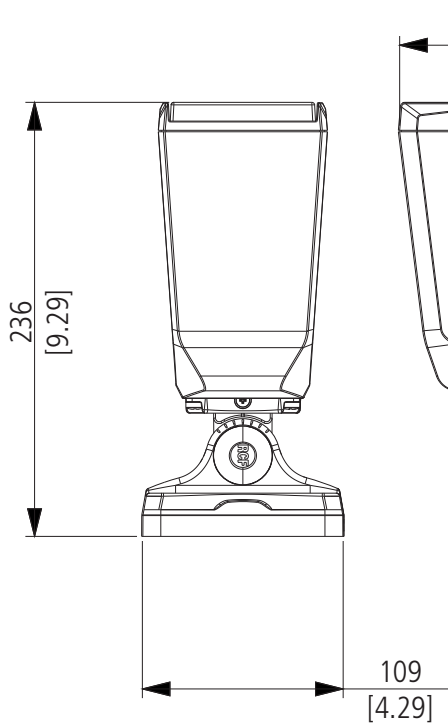
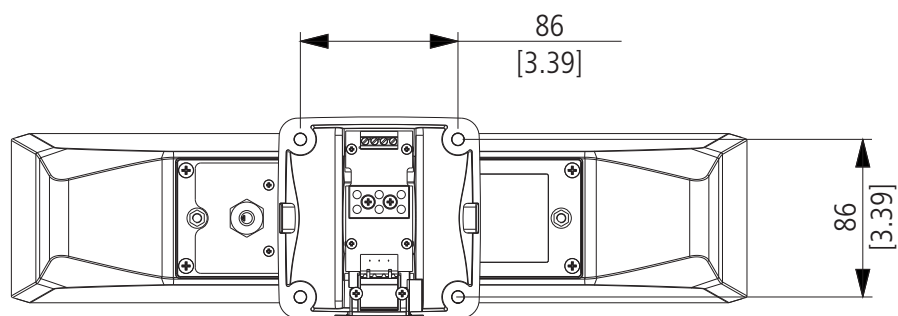
- **13100046**

WMF 33EN

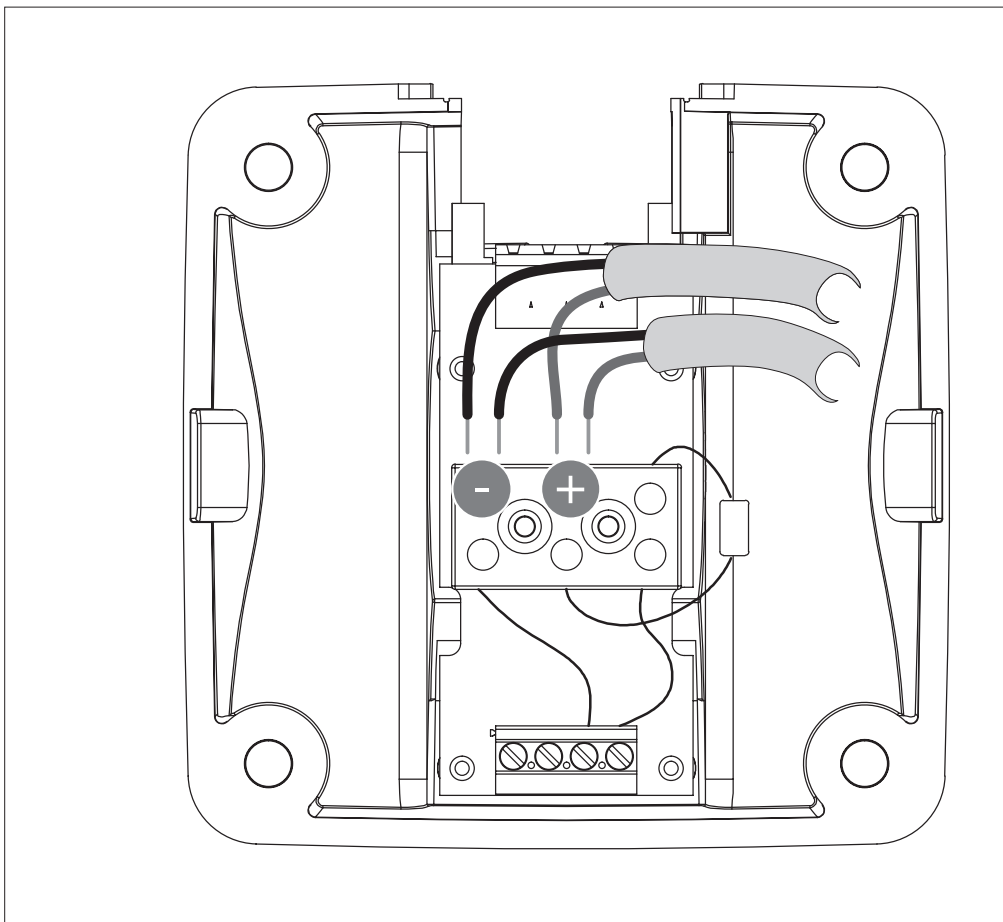
EAN 8024530017170

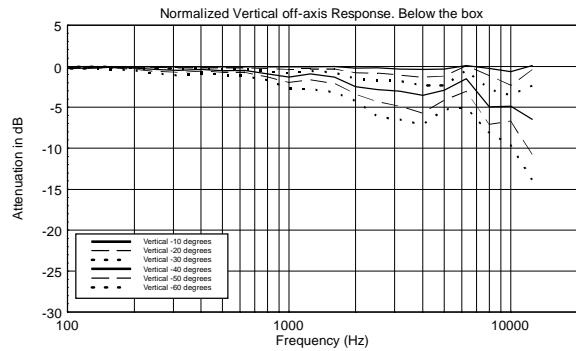
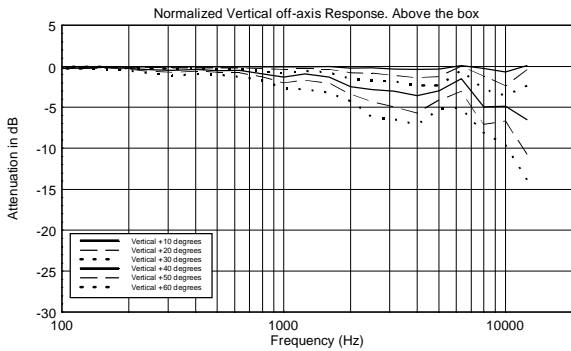
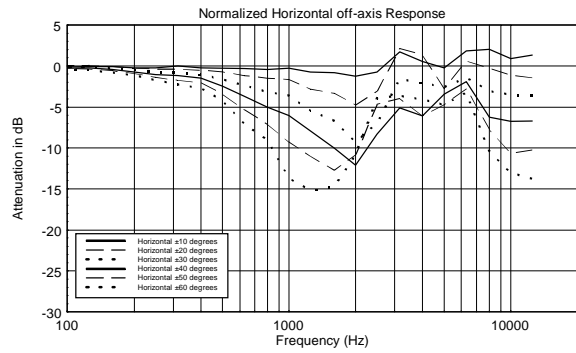
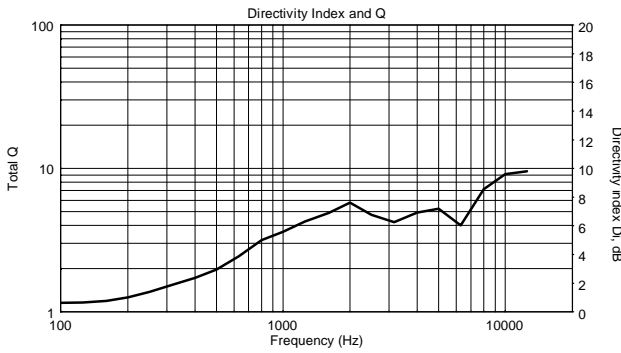
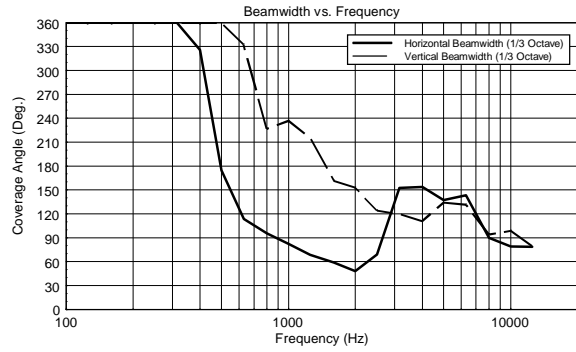
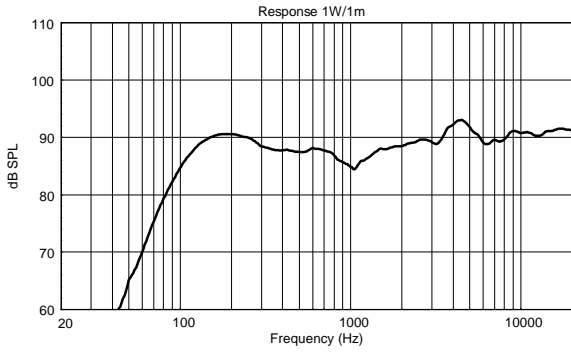
DRAWINGS

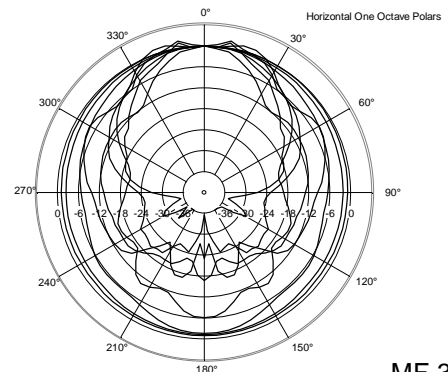
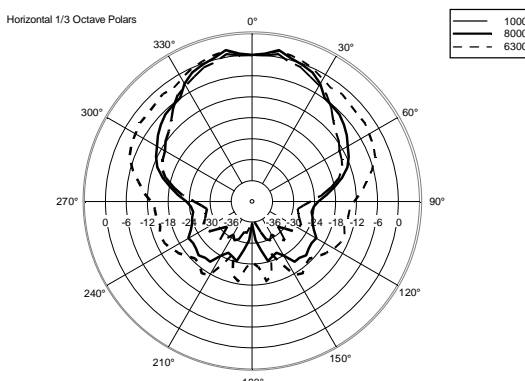
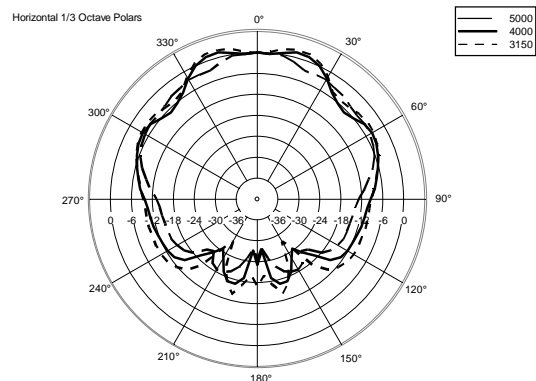
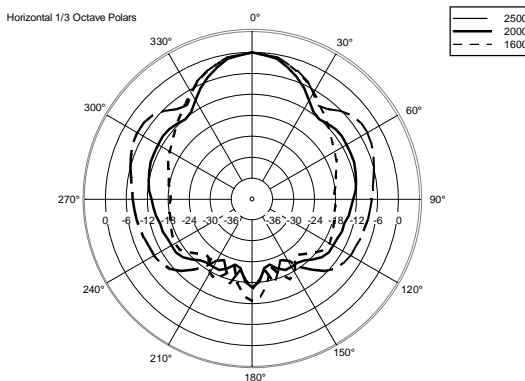
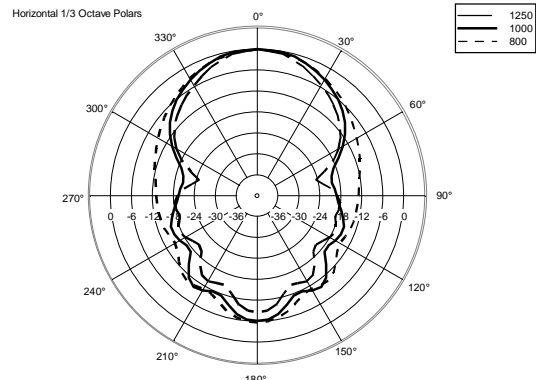
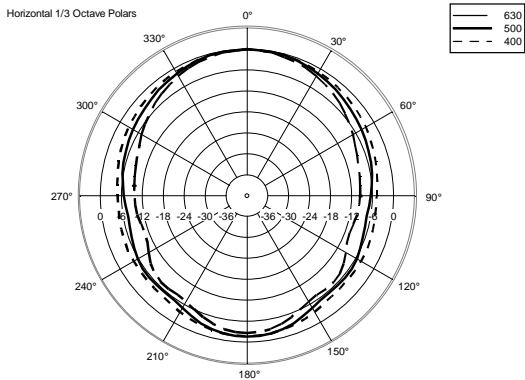
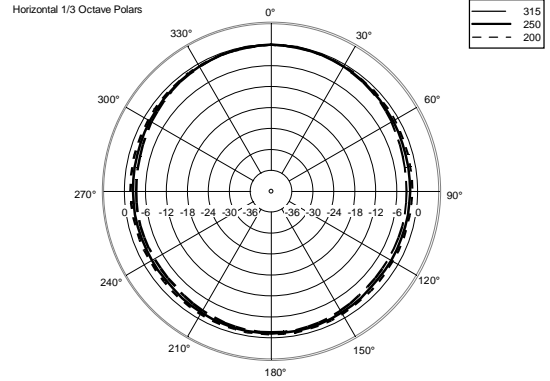
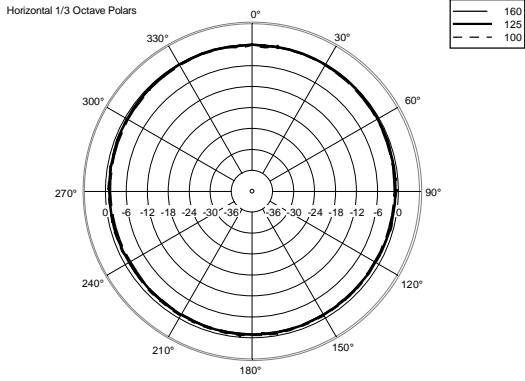
mm
[inches]

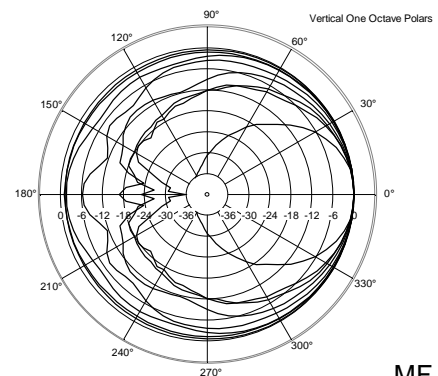
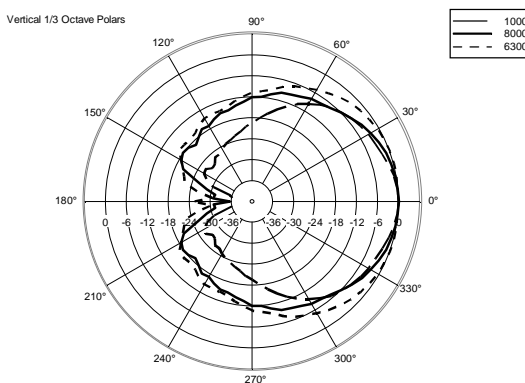
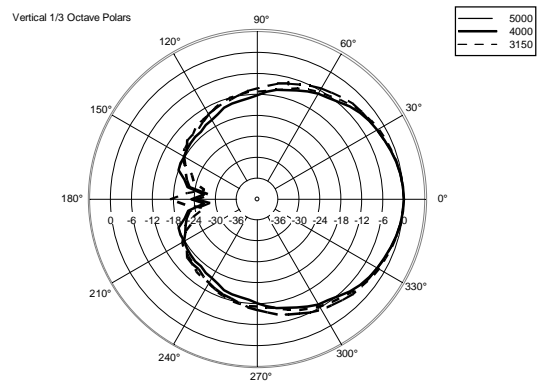
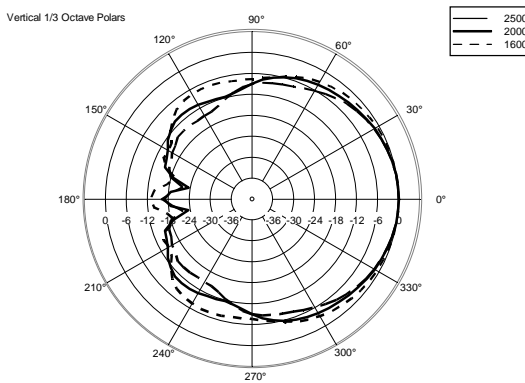
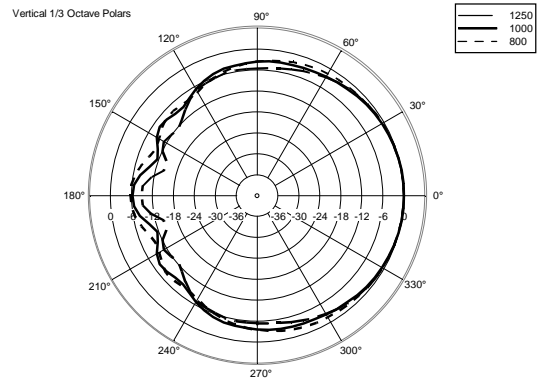
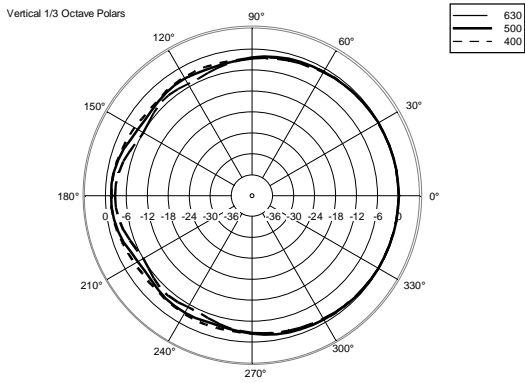
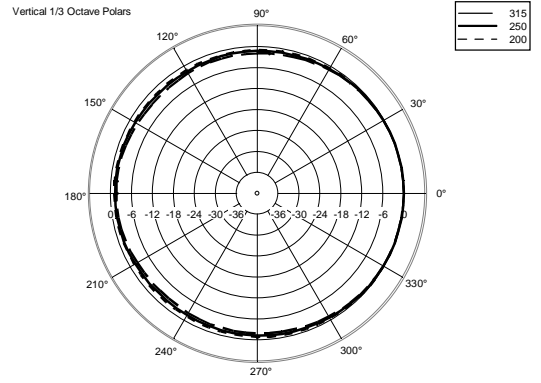
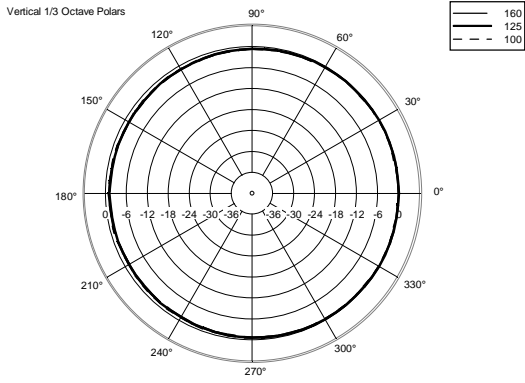


SCHEMATICS











A&E SPECIFICATIONS

The product shall be a two-way wall-mounted speaker designed for either horizontal or vertical installation, especially suitable for broadcasting background music into commercial spaces, but also alarm messages thanks to the highly intelligible voice reproduction and the EN 54-24 certification. It shall feature a plastic cabinet with steel magnetic grille and is extremely easy to install thanks to its smart support system. The terminal connection blocks, for input and output flameproof cables, shall be made of ceramic material. A thermal fuse shall protect the line integrity in case of heat affecting the speaker.

NOTES

NO CAUTION is NECESSARY in case of ALERTED PERSON for AUDIO voltages up to 120V, when warning symbols are present near the connection terminals. In the case of AUDIO voltages up to 71V, it is not even necessary to put warning symbols.
No need of linking to earth metal parts of speakers equipped with transformers and connected to 70.7 V / 100 V outputs of power amplifiers that do not have any reference to earth (ref. EN 62368-1 item 4.3.2.2), unless specific local requirements.