

TTL55-A Small Suspended System

System Configuration

DESCRIPTION

Small Suspended System to cover an area of 50 (L) x 40 (W) m with a stage of 15 (W) m. Arrays are suspended at 10m from ground level. Minimum point is at 7m from the ground level.

Direct Sound Pressure level target is 100dB in the range of 400-4000Hz.

SYSTEM SPECIFICATION

8 nos. modules of TTL55A per side in suspended configuration.

DSP settings and relative splay angles are shown in the chart below.

Suggested Crossover Frequency 90Hz.

List of Equipment

QUANTITY	MODEL	DESCRIPTION	PART NUMBER
16	TTL55-A	active three-way line array module	13000188 (230V) 13000189 (115V)
2	FLY BAR TTL55	suspending bar for TTL55-A	13360120
2	SHACKLE TTL55	3/4" shackle ~ for TTL55-A array system	13360130
2	FLY BAR PICKUP TTL55	spare pickup point (including 2 quick lock pins)	13360127
28	XLR CONNECTOR	audio connection cable between the boxes	-
6	AC POWER CABLE 6X TTL55	ac cable to power up to 6 TTL55-A-a or TTS56-A amplifiers	13360138
6	AC POWER EXTENSION TTL55	ac power cable extension 20 meters	13360146
6	AC POWER BOX 6XTTL55	european stage box to power 6 TTL55-A line array modules	13360145
12	TTS56-A	active high power subwoofer	13000190 (115V/230V)
1	RNET CONTROL 8	8 output master unit	17170154
28	ETHERNET CABLE	ethernet connection cable between the boxes	-

Recommended Accessories

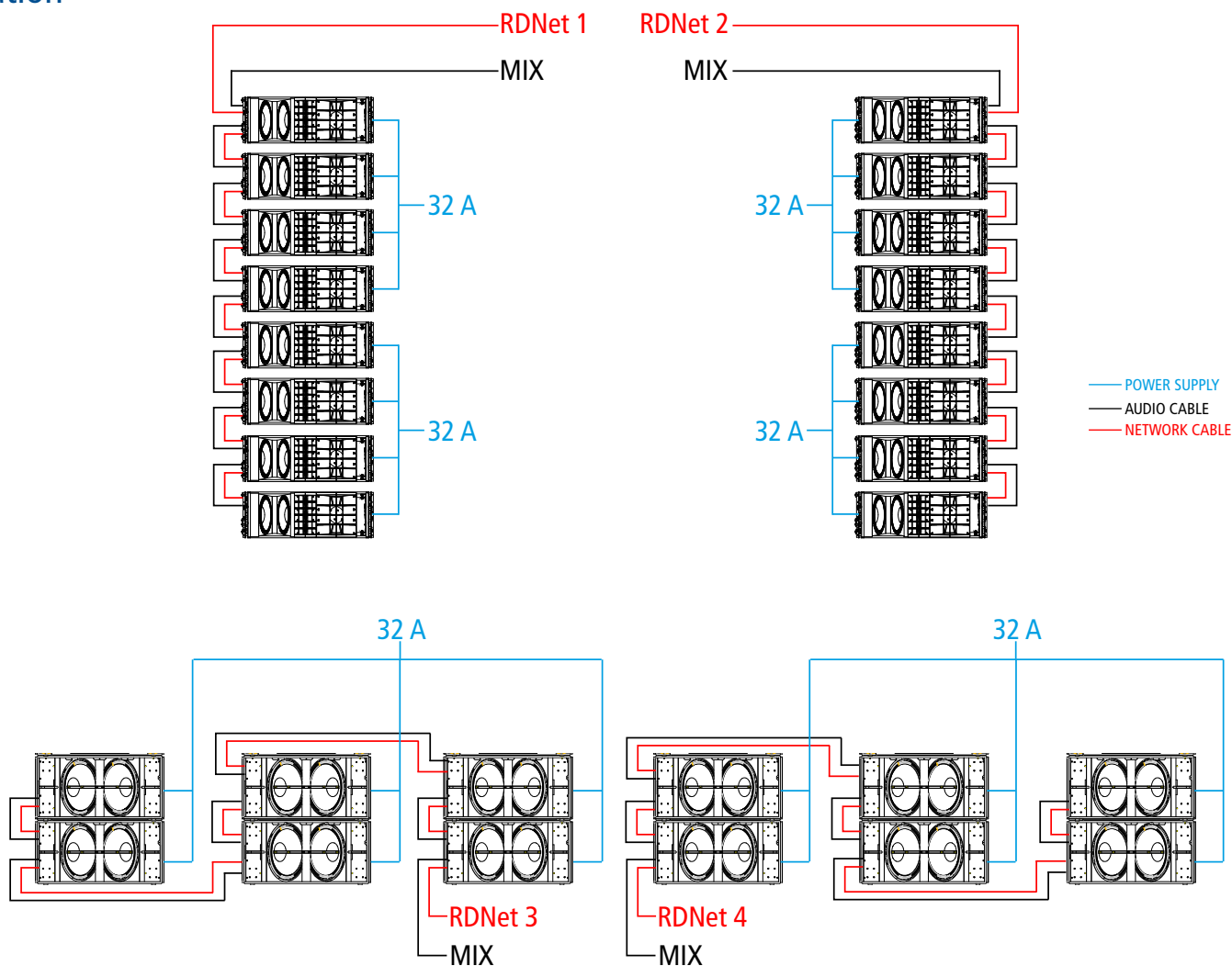
QUANTITY	MODEL	DESCRIPTION	PART NUMBER
16	AC WOOD KART TTL55	TTL55-A front kart	13360133
2	LIFT KART TTL55	lifting trolley for TTL55-A	13360154
16	RAIN COVER TTL55	rubber rain cover protection	13360136
12	RAIN COVER TTS56	rubber rain cover protection for TTS56-A	13360137
12	FRONT WOOD COVER TTS56	quick lock wood front protection for tts56-a subwoofer	13360140
12	COVER TTS56	protection cover for one TTS56-A subwoofer	13360135
16	COVER TTL55	protection cover for one TTL55-A	13360134
12	AC SLED56	nylon side reinforcements	13360157
4	SAFETY CHAIN TTL55	safety chain for TTL55-A array system	13360128
4	HOIST SPACING CHAIN TTL55	hoist connector chain	13360129
2	AC 4PIN FLY BAR TTL55	spare set in case original pins are damaged or lost	13360132
4	AC 4PIN TTL55	spare set in case original pins are damaged or lost	13360122
4	KART 4X TTL55	kart with wheels for 4 TTL55-A	13360121

SEE TRAINING ACTIVITIES AT RCF AUDIO ACADEMY www.rcf.it/education



TTL55-A Small Suspended System

System Configuration



For its array systems, RCF has developed a dedicated configuration tool "RCF Shape Designer" that allows you to simply get all necessary mechanical and digital-processing set-up data (http://www.rcf.it/en_US/products/touring-and-theatre/rcf-shape-designer).

RCF makes also available on its website all the speaker system data in "GLL" format for predicting the performance of loudspeaker systems in a suggested acoustical environment by using the several AFMG software tools (www.AFMG.eu).

RCF Engineering Support Group is at your disposal for any information and clarification you might require techsupport.pro@rcf.it

