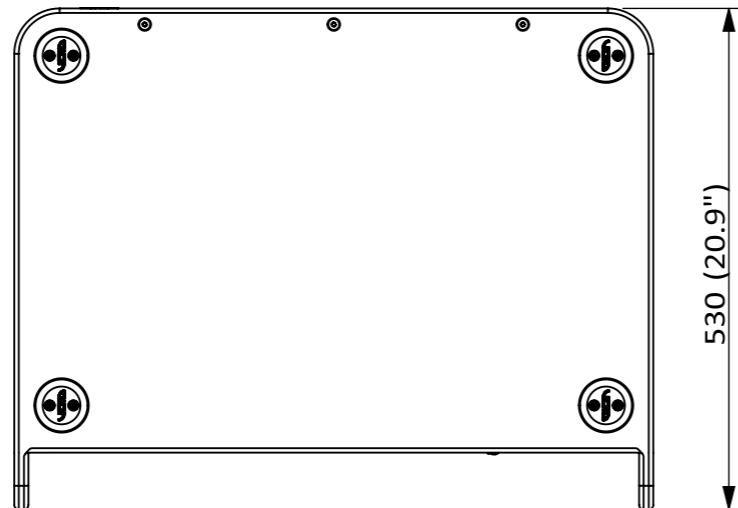
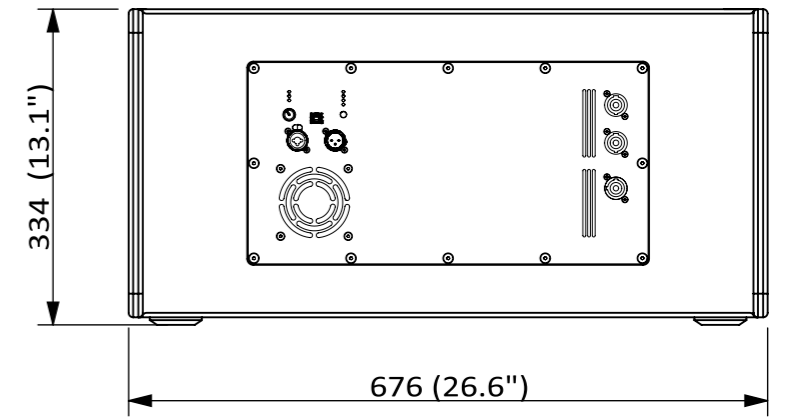
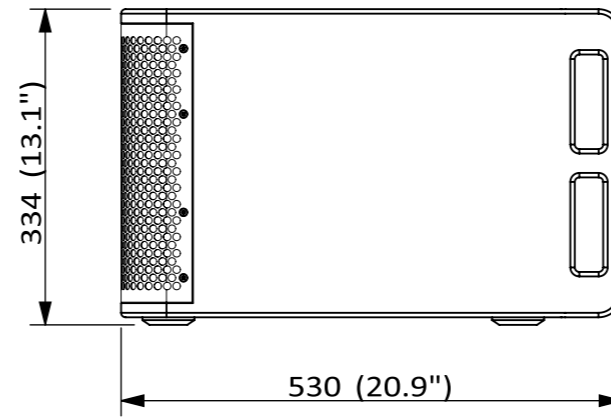
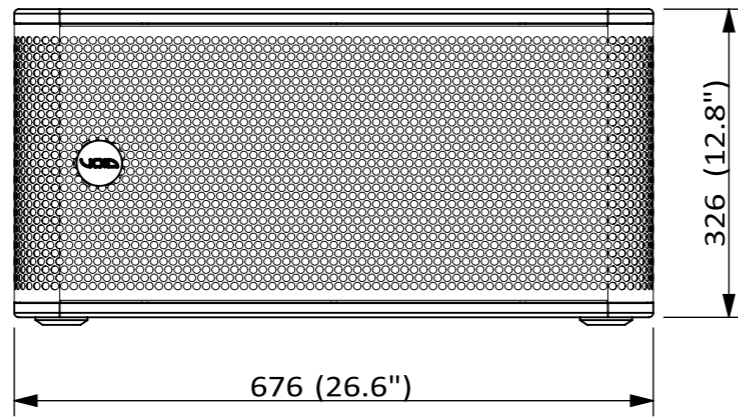
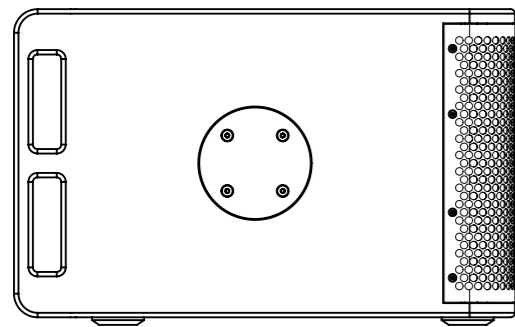
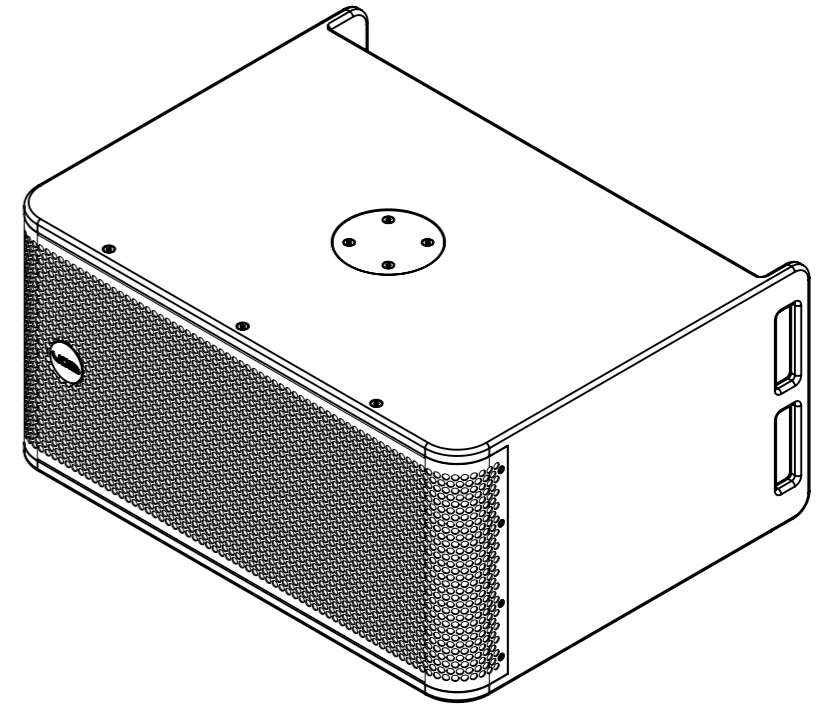
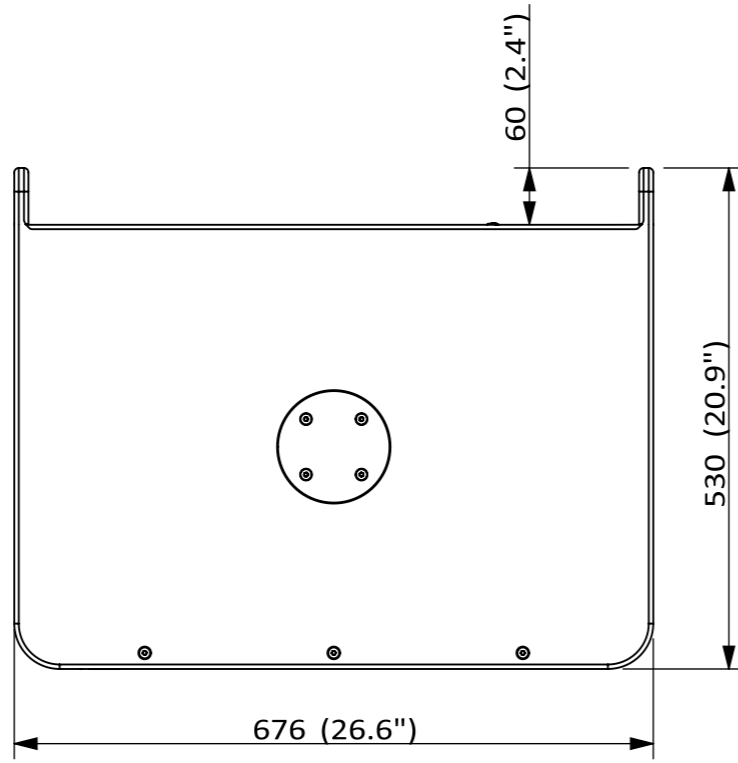


IF IN DOUBT ASK



		DIMENSIONS IN MILLIMETRES			
		FABRICATION UNLESS OTHERWISE STATED		MACHINING UNLESS OTHERWISE STATED	
DRAWN	Shen	24/01/2019	UP TO 500mm +/-0.5mm	0, mm	+/- 0.5 mm
CHECKED			500mm - 1m +/-1.0mm	0.0 mm	+/- 0.2 mm
APPROVED			1m - 5m +/-2.0mm	0.00mm	+/- 0.1mm
			5m - 10m +/-5.0mm	0.000mm	+/- 0.01mm
			ANGULAR ±1°	ANGULAR	±0.5°

SURFACE TEXTURE VALUES IN MICROMETRES (µm) TO BS1134-PT2. ALL MACHINED SURFACES TO BE ✓. ALL SCREW THREADS TO BS3643 PT.2.

TITLE: Venu 210i V2 Assembly		DRAWING No. SP00024_001	
PROJECT: Venu 210i V2		SAP No.	REV. B
MATERIAL:	GUAGE: (mm)	EST. WEIGHT: (Kg) 32	
FINISH:	COLOUR:	TEXTURE:	
THIRD ANGLE PROJECTION TO BS 8888	SCALE: 1:8	SHT 1 OF 1 SHTS	SHEET: A3



VOIDACOUSTICS.COM
REPRODUCTION OF ANY PART OF THIS DOCUMENT IS FORBIDDEN WITHOUT PRIOR PERMISSION FROM VOID ACOUSTICS.
CONFIDENTIAL AND PROPRIETARY INFORMATION OF VOID ACOUSTICS.